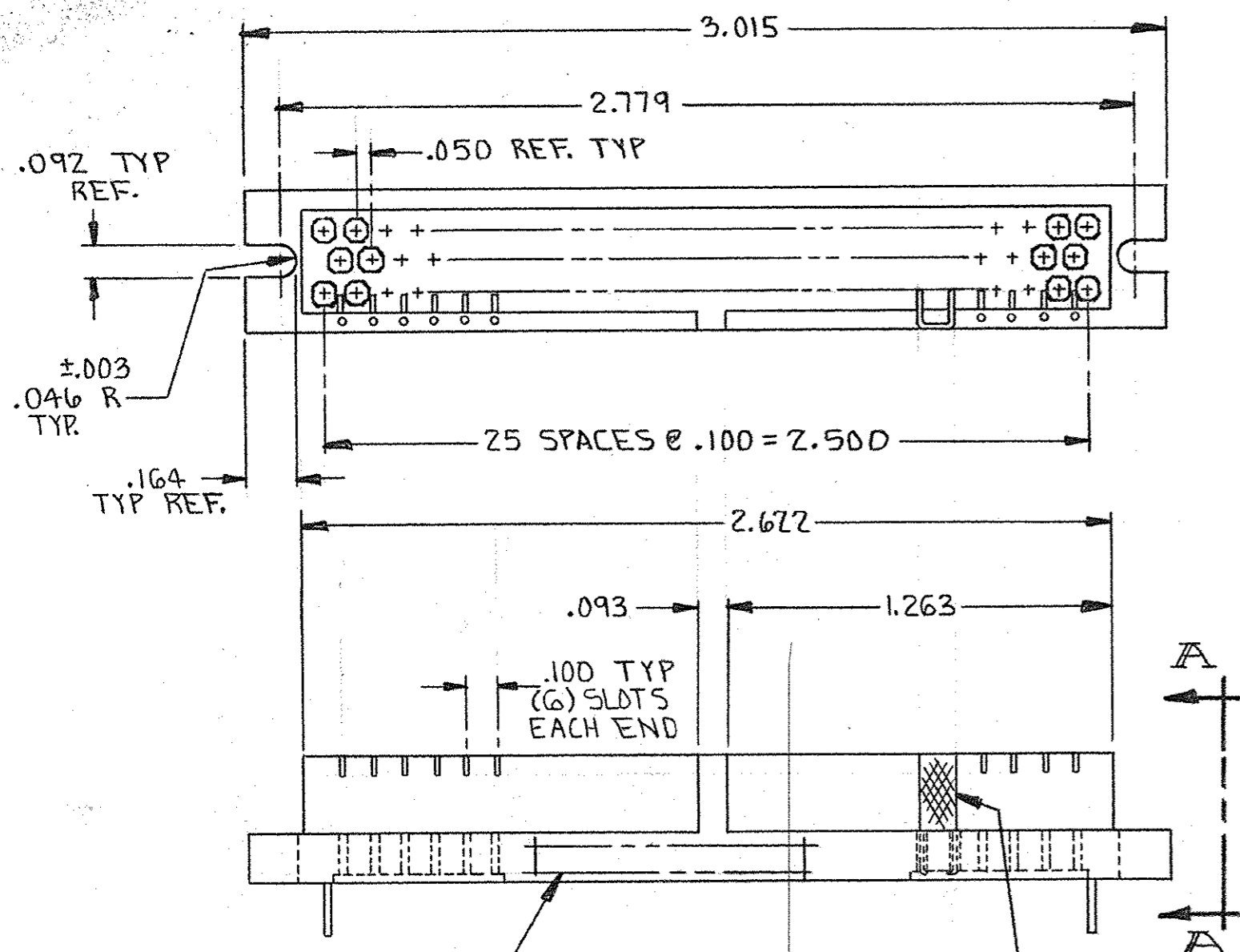


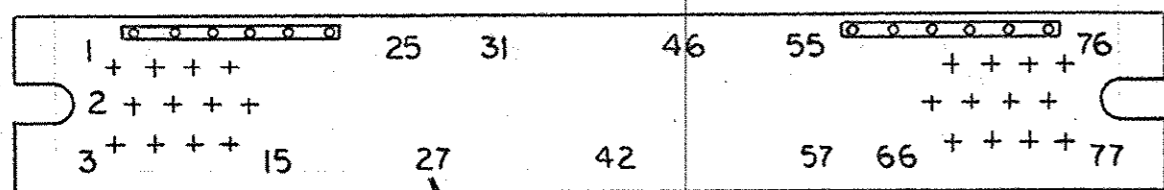
AMP INCORPORATED, ALL RIGHTS RESERVED. AMP PRODUCTS ARE COVERED BY PATENTS AND/OR PATENTS PENDING.

583811-1 I. AS SHOWN

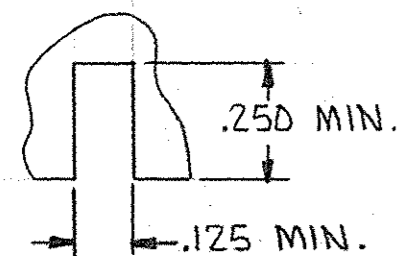
REVISIONS				
ZONE	LTR	DESCRIPTION	DATE	APPROVED
A		REVISED FINISH 7228 M.S.	2-28-81	RB
B		REVISED PER ECN AB-0535	db 2-27-85	ERM
C		REVISED PER ECN DF-5141	TA	DRM
D		REV PER 0600-7487-98	JY 10-5-98	PL
E		REV PER ECO-07-004569	3-07	PY



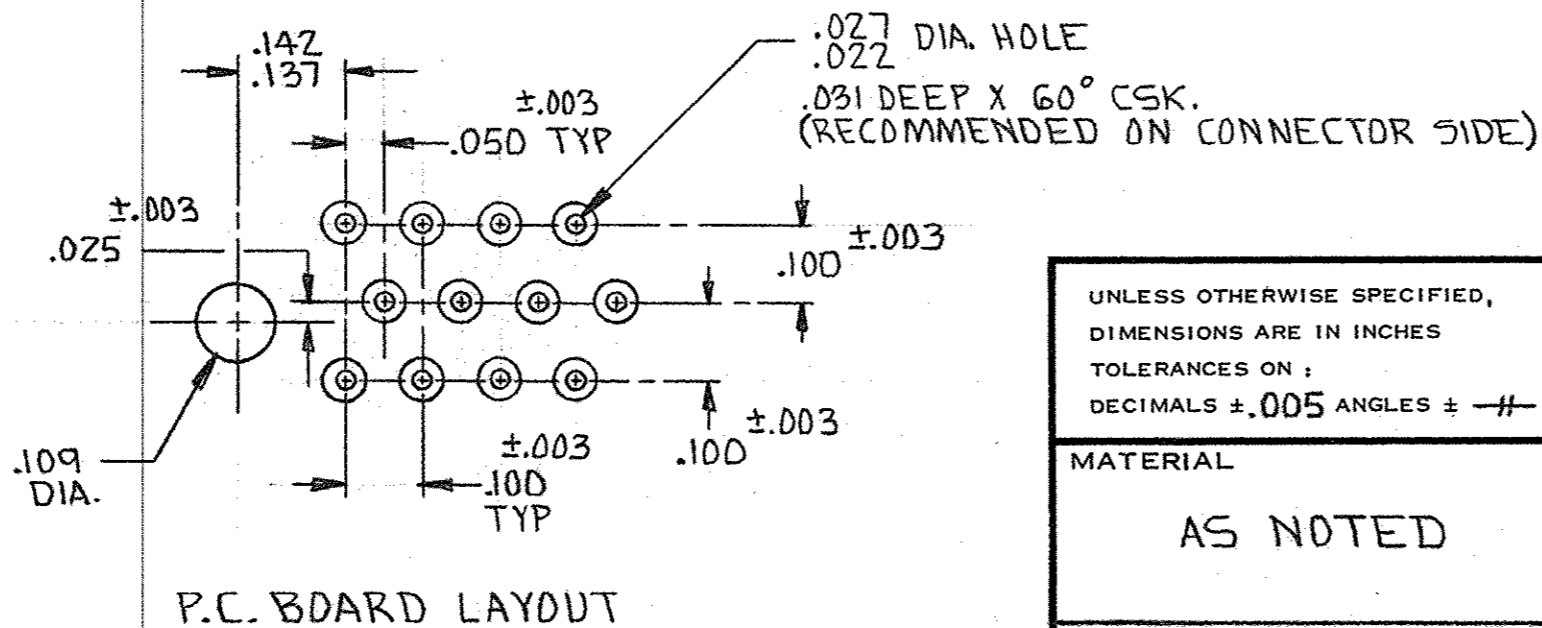
MARK "AMP", PART NO & DATE CODE
KEYS PURCHASED SEPARATELY & INSTALLED BY CUSTOMER AS REQUIRED



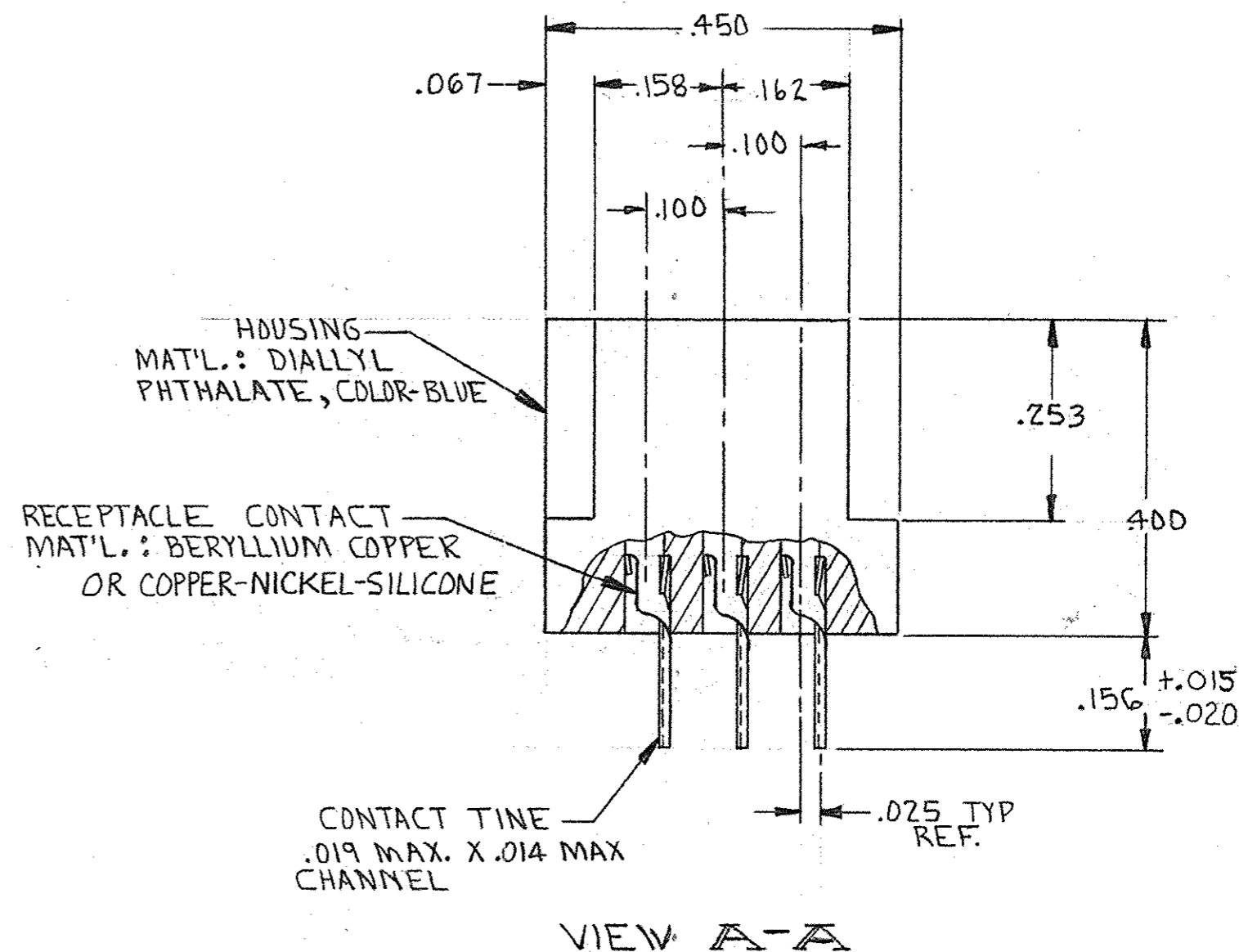
RAISED MOLDED CHARACTERS



KEYING SLOT TO BE PROVIDED IN DAUGHTER BOARD BY CUSTOMER



P.C. BOARD LAYOUT



VIEW A-A

UNLESS OTHERWISE SPECIFIED, DIMENSIONS ARE IN INCHES TOLERANCES ON : DECIMALS ±.005 ANGLES ± #	CONTRACT NO.		AMP INCORPORATED HARRISBURG, PENNSYLVANIA	
	DR	J. H. W. 1/26/72	NAME	
MATERIAL AS NOTED	CHK	S. S. 1/28/72	RECEPTACLE ASSEMBLY, BOX CONNECTOR, 77 POSITION	
	APPD	R. S. 1/28/72	SIZE	CODE IDENT NO.
FINISH - RCPT. CONTACTS: .000030 GOLD IN CONTACT AREA, .000100 TIN-LEAD ON TAILS, OVER .000030 NICKEL ENTIRE CONTACT	REL	R. S. 1/21/72	NUMBER	583811
	DSGN APPD		REV	E
OTHER APPD		SCALE	2:1	SHEET

CUSTOMER DRAWING

NUMBER 583811