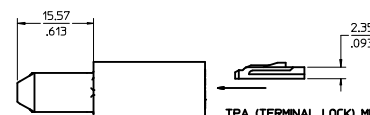
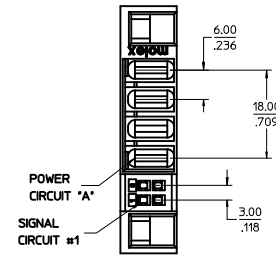
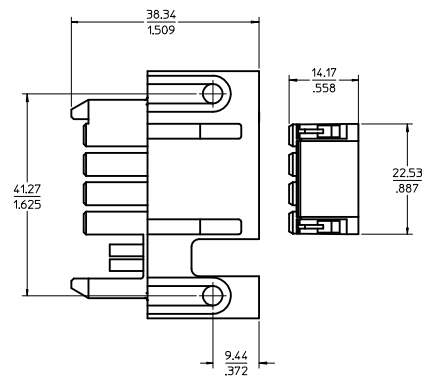
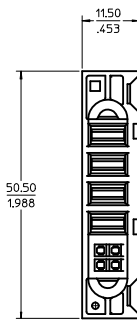
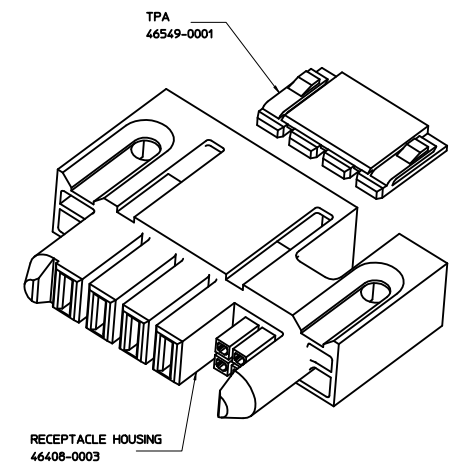


KIT PART NUMBER	HOUSING No.	TPA No.
46408-1200	46408-0003	46549-0001



TPA (TERMINAL LOCK) MUST BE PUSHED IN FIRMLY TO LOCK TERMINALS IN PLACE

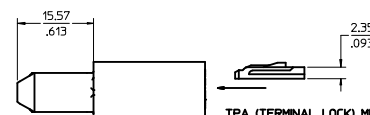
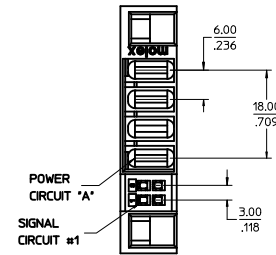
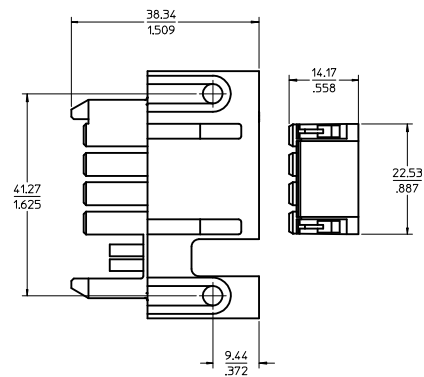
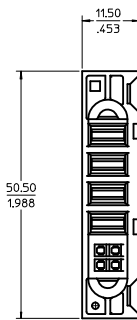


REPLACING PART NO.
46408-0001

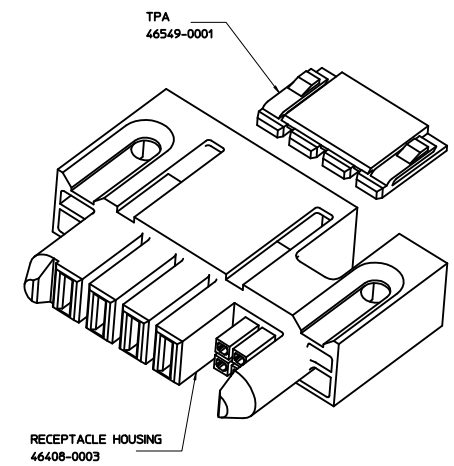
- NOTES:
1. MATERIAL: PBT OR EQUIVALENT, 94V-0. COLOR: BLACK.
 2. HOUSING ACCEPTS MOLEX TERMINALS: 44262-4532 (POWER) AND 43030-0001 (SIGNAL). NOT SHOWN. SOLD SEPARATELY
 3. HOUSING DESIGNED FOR M3.5 FLAT HEAD SCREWS SUPPLIED BY CUSTOMER.
 4. RECEPTACLE MATES WITH PLUG HOUSING 46409-0003.
 5. RECEPTACLE REQUIRES INCLUDED POWER TERMINAL LOCK (TPA) 46549-0001, ALSO AVAILABLE SEPARATELY.
 6. HOUSING AND ASSOCIATED COMPONENTS ARE ROHS COMPLIANT.
 7. PACKAGED PER MOLEX PACKAGING SPEC: PK-46408-***

REV	DESCRIPTION	QUALITY SYMBOLS		GENERAL TOLERANCES (UNLESS SPECIFIED)		DIMENSION STYLE		SCALE	DESIGN UNITS	THIRD ANGLE PROJECTION
		mm	INCH	mm	INCH	MM/IN	1:1	METRIC	☉	
4	PLACES	±	---	±	---	SBGIEL	DATE	2007/08/07	TITLE	
3	PLACES	±	---	±	.010	SBGIEL	DATE	2007/08/14	RECEPTACLE HOUSING AND TPA KIT	
2	PLACES	±	0.25	±	---	SBGIEL	DATE	2007/08/14	4 CKT POWER AND SIGNAL	
1	PLACE	±	---	±	---	APATEL	DATE	2011/10/28	MOLEX INCORPORATED	
		ANGULAR ± 2 °				MATERIAL NO.		46408-1200	DOCUMENT NO.	
		DRAFT WHERE APPLICABLE MUST REMAIN WITHIN DIMENSIONS				SIZE		D	THIS DRAWING CONTAINS INFORMATION THAT IS PROPRIETARY TO MOLEX INCORPORATED AND SHOULD NOT BE USED WITHOUT WRITTEN PERMISSION	
						SHEET NO.		1 OF 1		

KIT PART NUMBER	HOUSING No.	TPA No.
46408-1200	46408-0003	46549-0001



TPA (TERMINAL LOCK) MUST BE PUSHED IN FIRMLY TO LOCK TERMINALS IN PLACE



REPLACING PART NO.
46408-0001

- NOTES:
1. MATERIAL: PBT OR EQUIVALENT, 94V-0. COLOR: BLACK.
 2. HOUSING ACCEPTS MOLEX TERMINALS: 44262-4532 (POWER) AND 43030-0001 (SIGNAL). NOT SHOWN. SOLD SEPARATELY
 3. HOUSING DESIGNED FOR M3.5 FLAT HEAD SCREWS SUPPLIED BY CUSTOMER.
 4. RECEPTACLE MATES WITH PLUG HOUSING 46409-0003.
 5. RECEPTACLE REQUIRES INCLUDED POWER TERMINAL LOCK (TPA) 46549-0001, ALSO AVAILABLE SEPARATELY.
 6. HOUSING AND ASSOCIATED COMPONENTS ARE ROHS COMPLIANT.
 7. PACKAGED PER MOLEX PACKAGING SPEC: PK-46408-***

REV	DESCRIPTION	QUALITY SYMBOLS		GENERAL TOLERANCES (UNLESS SPECIFIED)		DIMENSION STYLE		SCALE	DESIGN UNITS	THIRD ANGLE PROJECTION
		mm	INCH	mm	INCH	MM/IN	1:1	METRIC	☉	
4	PLACES	±	---	±	---	SBGIEL	DATE	2007/08/07	TITLE	
3	PLACES	±	---	±	.010	SBGIEL	DATE	2007/08/14	RECEPTACLE HOUSING AND TPA KIT	
2	PLACES	±	0.25	±	---	SBGIEL	DATE	2007/08/14	4 CKT POWER AND SIGNAL	
1	PLACE	±	---	±	---	APATEL	DATE	2011/10/28	MOLEX INCORPORATED	
		ANGULAR ± 2 °								
DRAFT WHERE APPLICABLE MUST REMAIN WITHIN DIMENSIONS		MATERIAL NO.		46408-1200		DOCUMENT NO.		SD-46408-1200		SHEET NO.
		SIZE		D		THIS DRAWING CONTAINS INFORMATION THAT IS PROPRIETARY TO MOLEX INCORPORATED AND SHOULD NOT BE USED WITHOUT WRITTEN PERMISSION				1 OF 1