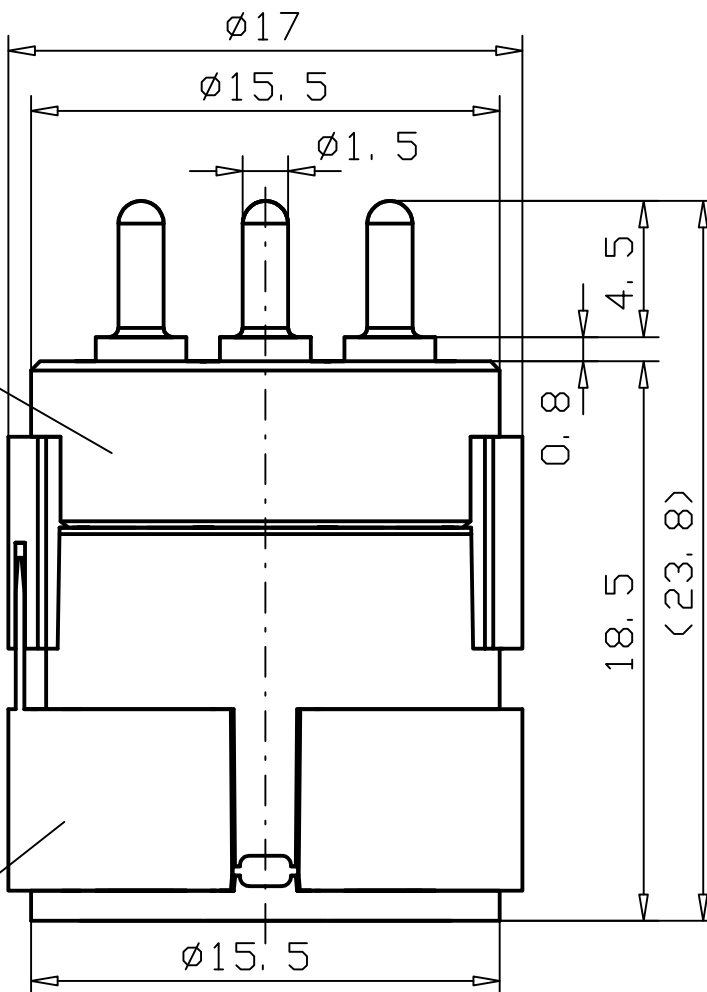


Lower part, Bushes
Unterteil, Buchsen

Upper part, Bushes
Oberteil, Buchsen

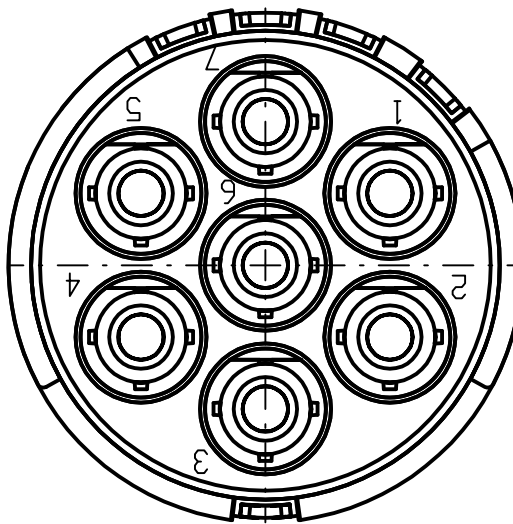


Notes:

Packaging unit: 5 pcs
Tolerances (unless specified): DIN ISO 2768 m

Bemerkungen:

Verpackungseinheit: 5 Stück
Toleranzen (sofern nichts anderes angegeben ist):
DIN ISO 2768 m



DESCRIPTION
EC NO.: WEU2008-0032
DRWN: BBRAUCH 2008/06/03
CHKD: LS 2008/06/23
APPR: REISSNER 2008/06/25

QUALITY SYMBOLS
▽ = 0
◻ = 0

GENERAL TOLERANCES (UNLESS SPECIFIED)

	mm	INCH
4 PLACES	±----	±----
3 PLACES	±----	±----
2 PLACES	±----	±----
1 PLACE	±----	±----
ANGULAR ± --- °		

DRAFT WHERE APPLICABLE
MUST REMAIN
WITHIN DIMENSIONS

DIMENSION STYLE
MM

DRAWN BY DATE
BB 2008/06/03
CHECKED BY DATE

APPROVED BY DATE
RE 2008/06/23

MATERIAL NO.
1202320018

SIZE
A4

SCALE
4:1

DESIGN UNITS
METRIC

FIRST ANGLE PROJECTION

M23 SIG INSERT FEM
7P PCB
P/N: KIS70-77



MOLEX INCORPORATED

DOCUMENT NO.
SD-120232-018

SHEET NO.
1 OF 1

THIS DRAWING CONTAINS INFORMATION THAT IS PROPRIETARY TO MOLEX INCORPORATED AND SHOULD NOT BE USED WITHOUT WRITTEN PERMISSION