

# LMV1090

*LMV1090 Dual Input, Far Field Noise Suppression Microphone Amplifier*



Literature Number: SNAS472H

# LMV1090

## Dual Input, Far Field Noise Suppression Microphone Amplifier

### General Description

The LMV1090 is a fully analog dual differential input, differential output, microphone array amplifier designed to reduce background acoustic noise, while delivering superb speech clarity in voice communication applications.

The LMV1090 preserves near-field voice signals within 4cm of the microphones while rejecting far-field acoustic noise greater than 50cm from the microphones. Up to 20dB of far-field rejection is possible in a properly configured and using  $\pm 0.5$ dB matched microphones.

Part of the Powerwise™ family of energy efficient solutions, the LMV1090 consumes only 600 $\mu$ A of supply current providing superior performance over DSP solutions consuming greater than ten times the power.

The dual microphone inputs and the processed signal output are differential to provide excellent noise immunity. The microphones are biased with an internal low-noise bias supply.

### Key Specifications

■ Far Field Noise Suppression Electrical *	34dB (typ)
■ SNRI <sub>E</sub>	26dB (typ)
■ Supply current	600 $\mu$ A (typ)
■ Standby current	0.1 $\mu$ A (typ)
■ Signal-to-Noise Ratio (Voice band)	65dB (typ)
■ Total Harmonic Distortion + Noise	0.1% (typ)
■ PSRR (217Hz)	99dB (typ)

\*FFNS<sub>E</sub> at f = 1kHz

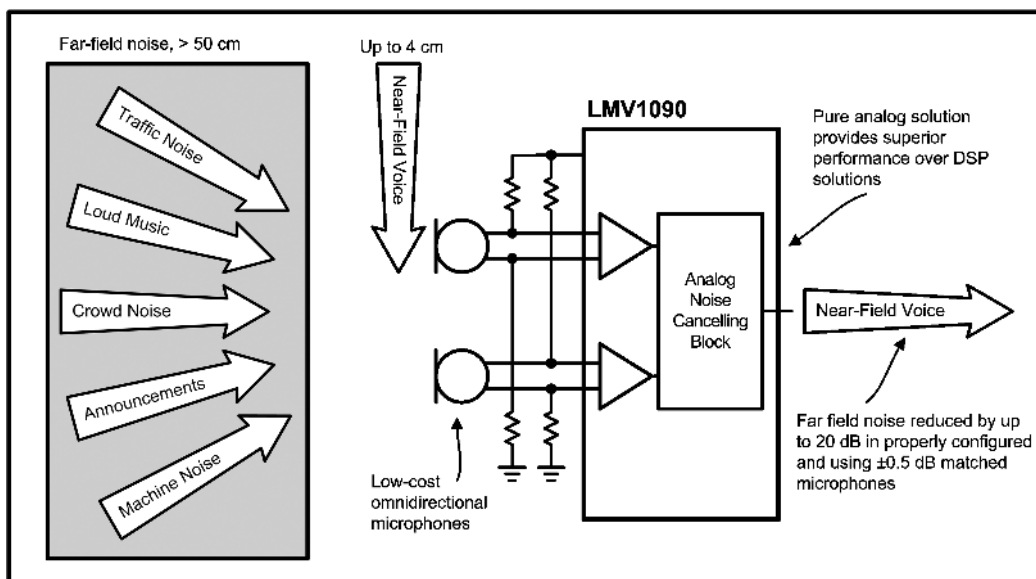
### Features

- No loss of voice intelligibility
- No added processing delay
- Low power consumption
- Differential outputs
- Excellent RF immunity
- Adjustable 12 - 54dB gain
- Shutdown function
- Space-saving 16-bump micro SMD package

### Applications

- Mobile headset
- Mobile and handheld two-way radios
- Bluetooth and other powered headsets
- Hand-held voice microphones
- Cell phones

### System Diagram



30083340

# Typical Application

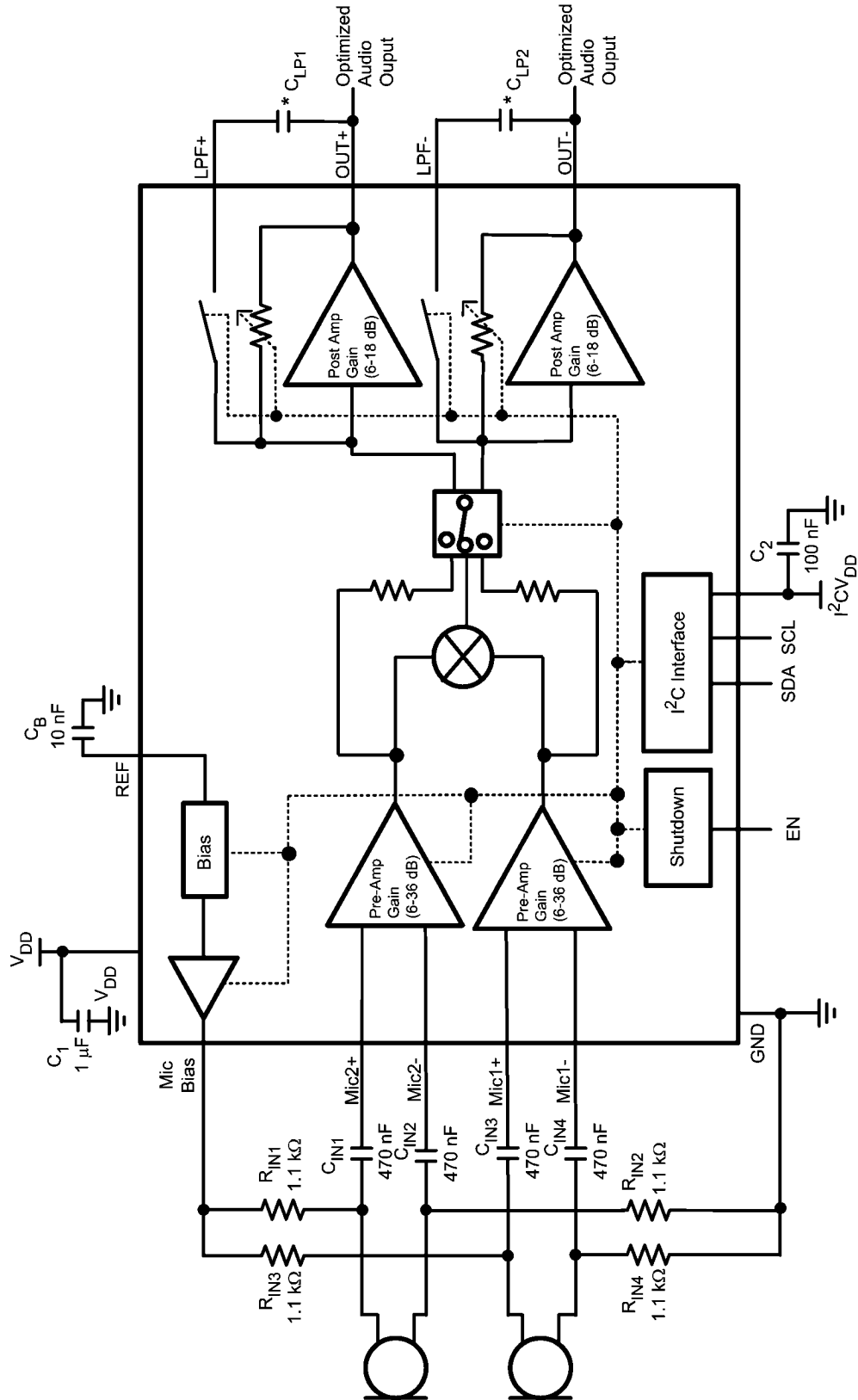
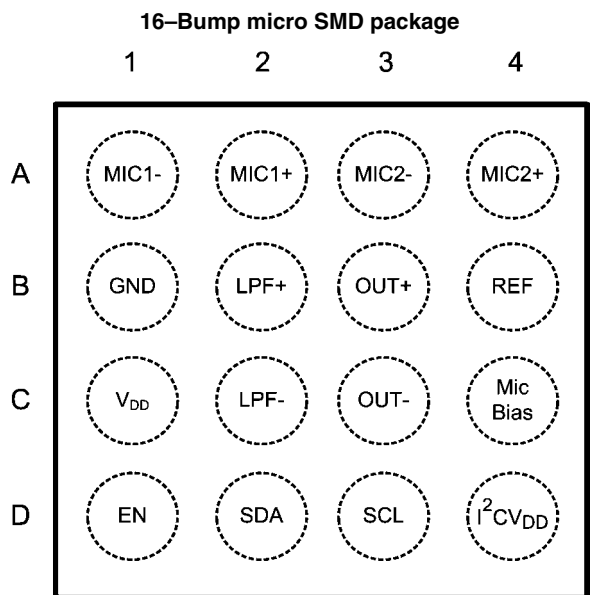


FIGURE 1. Typical Dual Microphone Far Field noise Cancelling Application

\* The value of the low-pass filter capacitor is application dependent, see the application section for additional information.

30083309

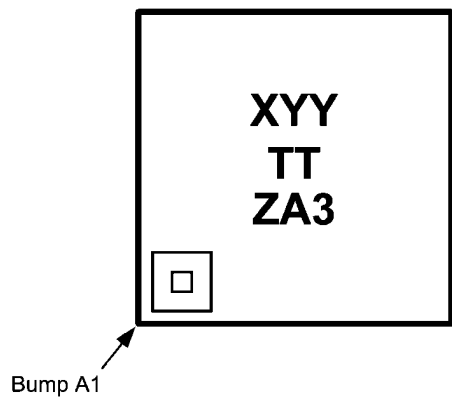
## Connection Diagrams



30083306

**Top View**  
**Order Number LMV1090TL**  
**See NS Package Number TLA1611A**

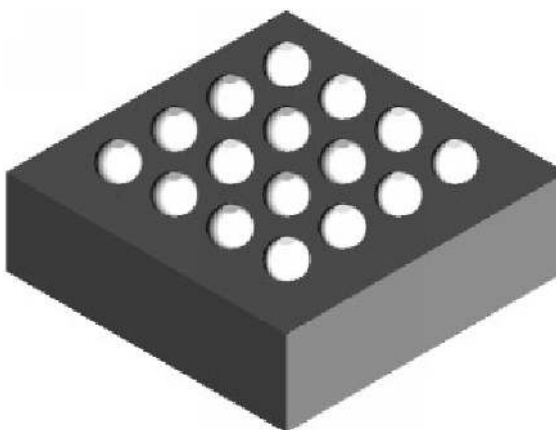
**16-Bump micro SMD Marking**



30083331

**Top View**  
**X = Plant Code**  
**YY = Date Code**  
**TT = Die Traceability**  
**ZA3 = LMV1090TL**

**micro SMD Package View**



30083303

**Bottom View**

### Ordering Information

Order Number	Package	Package Drawing Number	Device Marking	Transport Media
LMV1090TL	16 Bump $\mu$ SMD	TLA1611A	XYTTZA3	250 units on tape and reel
LMV1090TLX	16 Bump $\mu$ SMD	TLA1611A	XYTTZA3	1000 units on tape and reel

## Pin Descriptions

**TABLE 1. Pin Name and Function**

Bump Number	Pin Name	Pin Function	Pin Type
A1	MIC1-	Microphone 1 negative input	Analog Input
A2	MIC1+	Microphone 1 positive input	Analog Input
A3	MIC2-	Microphone 2 negative input	Analog Input
A4	MIC2+	Microphone 2 positive input	Analog Input
B1	GND	Amplifier ground	Ground
B2	LPF+	Low Pass Filter for positive output	Analog Input
B3	OUT+	Positive optimized audio output	Analog Output
B4	REF	Reference voltage de-coupling	Analog Reference
C1	V <sub>DD</sub>	Power supply	Supply
C2	LPF-	Low Pass Filter for negative output	Analog Input
C3	OUT-	Negative optimized audio output	Analog Output
C4	Mic Bias	Microphone Bias	Analog Output
D1	EN	Chip enable	Digital input
D2	SDA	I <sup>2</sup> C data	Digital Input/Output
D3	SCL	I <sup>2</sup> C clock	Digital Input
D4	I <sup>2</sup> CV <sub>DD</sub>	I <sup>2</sup> C power supply	Supply

**Absolute Maximum Ratings** (Note 1)

If Military/Aerospace specified devices are required, please contact the National Semiconductor Sales Office/Distributors for availability and specifications.

Supply Voltage	6.0V
Storage Temperature	-85°C to +150°C
Power Dissipation (Note 3)	Internally Limited
ESD Rating (Note 4)	2000V
ESD Rating (Note 5)	200V
CDM	500V
Junction Temperature ( $T_{JMAX}$ )	150°C
Mounting Temperature	235°C
Infrared or Convection (20 sec.)	

Thermal Resistance

$$\theta_{JA} \text{ (microSMD)} \quad 70^\circ\text{C/W}$$

Soldering Information See AN-112 "microSMD Wafers Level Chip Scale Package."

**Operating Ratings** (Note 1)

Supply Voltage	$2.7\text{V} \leq V_{DD} \leq 5.5\text{V}$
$I^2CV_{DD}$	$1.7\text{V} \leq I^2CV_{DD} \leq 5.5\text{V}$
Supply Voltage (Note 8)	
$T_{MIN} \leq T_A \leq T_{MAX}$	$-40^\circ\text{C} \leq T_A \leq +85^\circ\text{C}$

**Electrical Characteristics 3.3V** (Note 1, Note 2)

Unless otherwise specified, all limits guaranteed for  $T_A = 25^\circ\text{C}$ ,  $V_{DD} = 3.3\text{V}$ ,  $V_{IN} = 18\text{mV}_{P-P}$ ,  $f = 1\text{kHz}$ ,  $EN = V_{DD}$ , Pre Amp gain = 20dB, Post Amp gain = 6dB,  $R_L = 100\text{k}\Omega$ , and  $C_L = 4.7\text{pF}$ ,  $f = 1\text{kHz}$  pass through mode.

Symbol	Parameter	Conditions	LMV1090		Units (Limits)
			Typical (Note 6)	Limit (Note 7)	
SNR	Signal-to-Noise Ratio	$V_{IN} = 18\text{mV}_{P-P}$ A-weighted, Audio band	63		dB
		$V_{OUT} = 18\text{V}_{P-P}$ , voice band (300–3400Hz)	65		dB
$e_N$	Input Referred Noise level	A-Weighted	5		$\mu\text{V}_{RMS}$
$V_{IN}$	Maximum Input Signal	THD+N < 1%, Pre Amp Gain = 6dB	880	820	$\text{mV}_{P-P}$ (min)
$V_{OUT}$	Maximum AC Output Voltage	Differential Out+, Out- THD+N < 1%	1.2	1.1	$V_{RMS}$ (min)
	DC Level at Outputs	Out+, Out-	820		mV
THD+N	Total Harmonic Distortion + Noise	Differential Out+ and Out-	0.1	0.2	% (max)
$Z_{IN}$	Input Impedance		142		$\text{k}\Omega$
$Z_{OUT}$	Output Impedance (Differential)		220		$\Omega$
$Z_{LOAD}$	Load Impedance (Out+, Out-) (Note 10)	$R_{LOAD}$		10	$\text{k}\Omega$ (min)
		$C_{LOAD}$		100	pF (max)
$A_M$	Microphone Preamplifier Gain Range	minimum	6		dB
		maximum	36		dB
$A_{MR}$	Microphone Preamplifier Gain Adjustment Resolution		2	1.7	dB (min)
				2.3	dB (max)
$A_P$	Post Amplifier Gain Range	minimum	6		dB
		maximum	18		dB
$A_{PR}$	Post Amplifier Gain Resolution		3	2.6	dB (min)
				3.4	dB (max)
FFNS <sub>E</sub>	Far Field Noise Suppression Electrical	$f = 1\text{kHz}$ (See Test Method)	34	26	dB
		$f = 300\text{Hz}$ (See Test Method)	42		dB
SNRI <sub>E</sub>	Signal-to-Noise Ratio Improvement Electrical	$f = 1\text{kHz}$ (See Test Method)	26	18	dB
		$f = 300\text{Hz}$ (See Test Method)	33		dB
PSRR	Power Supply Rejection Ratio	Input Referred, Input AC grounded			
		$f_{RIPPLE} = 217\text{Hz}$ ( $V_{RIPPLE} = 100\text{mV}_{P-P}$ )	99	85	dB (min)
		$f_{RIPPLE} = 1\text{kHz}$ ( $V_{RIPPLE} = 100\text{mV}_{P-P}$ )	95	80	dB (min)
CMRR	Common Mode Rejection Ratio	input referred	60		dB
$V_{BM}$	Microphone Bias Supply Voltage	$I_{BIAS} = 1.2\text{mA}$	2.0	1.85	V (min)
				2.15	V (max)
$e_{VBM}$	Mic bias noise voltage on $V_{REF}$ pin	A-Weighted, $C_B = 10\text{nF}$	7		$\mu\text{V}_{RMS}$

Symbol	Parameter	Conditions	LMV1090		Units (Limits)
			Typical (Note 6)	Limit (Note 7)	
$I_{DDQ}$	Supply Quiescent Current	$V_{IN} = 0V$	0.60	0.80	mA (max)
$I_{DD}$	Supply Current	$V_{IN} = 25mV_{P.P}$ both inputs Noise cancelling mode	0.60		mA
$I_{SD}$	Shut Down Current	EN pin = GND	0.1	0.7	$\mu A$ (max)
$I_{DD}^{I^2C}$	I <sup>2</sup> C supply current	I <sup>2</sup> C Idle Mode	25	100	nA (max)
$T_{ON}$	Turn-On Time (Note 10)			40	ms (max)
$T_{OFF}$	Turn-Off Time (Note 10)			60	ms (max)

## Electrical Characteristics 5.0V (Note 1, Note 8)

Unless otherwise specified, all limits guaranteed for  $T_A = 25^\circ\text{C}$ ,  $V_{DD} = 5\text{V}$ ,  $V_{IN} = 18\text{mV}_{P-P}$ ,  $EN = V_{DD}$ , Pre Amp gain = 20dB, Post Amp gain = 6dB,  $R_L = 100\text{k}\Omega$ , and  $C_L = 4.7\text{pF}$ ,  $f = 1\text{kHz}$  pass through mode.

Symbol	Parameter	Conditions	LMV1090		Units (Limits)
			Typical	Limit	
			(Note 6)	(Note 7)	
SNR	Signal-to-Noise Ratio	$V_{IN} = 18\text{mV}_{P-P}$ A-weighted, Audio band	63		dB
		$V_{OUT} = 18\text{mV}_{P-P}$ , voice band (300–3400Hz)	65		dB
$e_N$	Input Referred Noise level	A-Weighted	5		$\mu\text{V}_{RMS}$
$V_{IN}$	Maximum Input Signal	THD+N < 1%	880	820	$\text{mV}_{P-P}$ (min)
$V_{OUT}$	Maximum AC Output Voltage	$f = 1\text{kHz}$ , THD+N < 1% between differential output	1.2	1.1	$V_{RMS}$ (min)
	DC Output Voltage		820		mV
THD+N	Total Harmonic Distortion + Noise	Differential Out+ and Out-	0.1	0.2	% (max)
$Z_{IN}$	Input Impedance		142		$\text{k}\Omega$
$Z_{OUT}$	Output Impedance		220		$\Omega$
$A_M$	Microphone Preamplifier Gain Range	minimum	6		dB
		maximum	36		dB
$A_{MR}$	Microphone Preamplifier Gain Adjustment Resolution		2	1.7 2.3	dB (min) dB (max)
$A_P$	Post Amplifier Gain Range	minimum	6		dB
		maximum	18		dB
$A_{PR}$	Post Amplifier Gain Adjustment Resolution		3	2.6 3.4	dB (min) dB (max)
FFNS <sub>E</sub>	Far Field Noise Suppression Electrical	$f = 1\text{kHz}$ (See Test Method)	34	26	dB
		$f = 300\text{Hz}$ (See Test Method)	42		dB
SNRI <sub>E</sub>	Signal-to-Noise Ratio Improvement Electrical	$f = 1\text{kHz}$ (See Test Method)	26	18	dB
		$f = 300\text{Hz}$ (See Test Method)	33		dB
PSRR	Power Supply Rejection Ratio	Input Referred, Input AC grounded			
		$f_{RIPPLE} = 217\text{Hz}$ ( $V_{RIPPLE} = 100\text{mV}_{P-P}$ )	99	85	dB (min)
		$f_{RIPPLE} = 1\text{kHz}$ ( $V_{RIPPLE} = 100\text{mV}_{P-P}$ )	95	80	dB (min)
CMRR	Common Mode Rejection Ratio	input referred	60		dB
$V_{BM}$	Microphone Bias Supply Voltage	$I_{BIAS} = 1.2\text{mA}$	2.0	1.85 2.15	V (min) V (max)
$e_{VBM}$	Microphone bias noise voltage on $V_{REF}$ pin	A-Weighted, $C_B = 10\text{nF}$	7		$\mu\text{V}_{RMS}$
$I_{DDQ}$	Supply Quiescent Current	$V_{IN} = 0\text{V}$	0.60	0.80	mA (max)
$I_{DD}$	Supply Current	$V_{IN} = 25\text{mV}_{P-P}$ both inputs Noise cancelling mode	0.60		mA
$I_{SD}$	Shut Down Current	EN pin = GND	0.1		$\mu\text{A}$
$I_{DD}I^2C$	I <sup>2</sup> C supply current	I <sup>2</sup> C Idle Mode	25	100	nA (max)
$T_{ON}$	Turn On Time (Note 10)			40	mA (max)
$T_{OFF}$	Turn Off Time (Note 10)			60	ms (max)



## Digital Interface Characteristics I<sup>2</sup>C\_ V<sub>DD</sub> = 2.2V to 5.5V (Note 2, Note 8)

The following specifications apply for V<sub>DD</sub> = 5.0V and 3.3V, T<sub>A</sub> = 25°C, 2.2V ≤ I<sup>2</sup>C\_ V<sub>DD</sub> ≤ 5.5V, unless otherwise specified.

Symbol	Parameter	Conditions	LMV1090		Units (Limits)
			Typical (Note 4)	Limits (Note 5, Note 7)	
t <sub>1</sub>	I <sup>2</sup> C Clock Period			2.5	μs (min)
t <sub>2</sub>	I <sup>2</sup> C Data Setup Time			100	ns (min)
t <sub>3</sub>	I <sup>2</sup> C Data Stable Time			0	ns (min)
t <sub>4</sub>	Start Condition Time			100	ns (min)
t <sub>5</sub>	Stop Condition Time			100	ns (min)
t <sub>6</sub>	I <sup>2</sup> C Data Hold Time			100	ns (min)
V <sub>IH</sub>	I <sup>2</sup> C Input Voltage High	EN, SCL, SDA		0.7xI <sup>2</sup> CV <sub>DD</sub>	V (min)
V <sub>IL</sub>	I <sup>2</sup> C Input Voltage Low	EN, SCL, SDA		0.3xI <sup>2</sup> CV <sub>DD</sub>	V (max)

## Digital Interface Characteristics I<sup>2</sup>C\_ V<sub>DD</sub> = 1.7V to 2.2V

The following specifications apply for V<sub>DD</sub> = 5.0V and 3.3V, T<sub>A</sub> = 25°C, 1.7V ≤ I<sup>2</sup>C\_ V<sub>DD</sub> ≤ 2.2V, unless otherwise specified.

Symbol	Parameter	Conditions	LMV1090		Units (Limits)
			Typical (Note 6)	Limits (Note 7)	
t <sub>1</sub>	I <sup>2</sup> C Clock Period			2.5	μs (min)
t <sub>2</sub>	I <sup>2</sup> C Data Setup Time			250	ns (min)
t <sub>3</sub>	I <sup>2</sup> C Data Stable Time			0	ns (min)
t <sub>4</sub>	Start Condition Time			250	ns (min)
t <sub>5</sub>	Stop Condition Time			250	ns (min)
t <sub>6</sub>	I <sup>2</sup> C Data Hold Time			250	ns (min)
V <sub>IH</sub>	I <sup>2</sup> C Input Voltage High	EN, SCL, SDA		0.7xI <sup>2</sup> CV <sub>DD</sub>	V (min)
V <sub>IL</sub>	I <sup>2</sup> C Input Voltage Low	EN, SCL, SDA		0.3xI <sup>2</sup> CV <sub>DD</sub>	V (max)

**Note 1:** "Absolute Maximum Ratings" indicate limits beyond which damage to the device may occur, including inoperability and degradation of device reliability and/or performance. Functional operation of the device and/or non-degradation at the Absolute Maximum Ratings or other conditions beyond those indicated in the Recommended Operating Conditions is not implied. The Recommended Operating Conditions indicate conditions at which the device is functional and the device should not be operated beyond such conditions. All voltages are measured with respect to the ground pin, unless otherwise specified.

**Note 2:** The Electrical Characteristics tables list guaranteed specifications under the listed Recommended Operating Conditions except as otherwise modified or specified by the Electrical Characteristics Conditions and/or Notes. Typical specifications are estimations only and are not guaranteed.

**Note 3:** The maximum power dissipation must be de-rated at elevated temperatures and is dictated by T<sub>JMAX</sub>, θ<sub>JC</sub>, and the ambient temperature T<sub>A</sub>. The maximum allowable power dissipation is P<sub>DMAX</sub> = (T<sub>JMAX</sub> - T<sub>A</sub>) / θ<sub>JA</sub> or the number given in the Absolute Maximum Ratings, whichever is lower. For the LMV1090, T<sub>JMAX</sub> = 150°C and the typical θ<sub>JA</sub> for this microSMD package is 70°C/W and for the LLP package θ<sub>JA</sub> is 64°C/W Refer to the Thermal Considerations section for more information.

**Note 4:** Human body model, applicable std. JESD22-A114C.

**Note 5:** Machine model, applicable std. JESD22-A115-A.

**Note 6:** Typical values represent most likely parametric norms at T<sub>A</sub> = +25°C, and at the Recommended Operation Conditions at the time of product characterization and are not guaranteed.

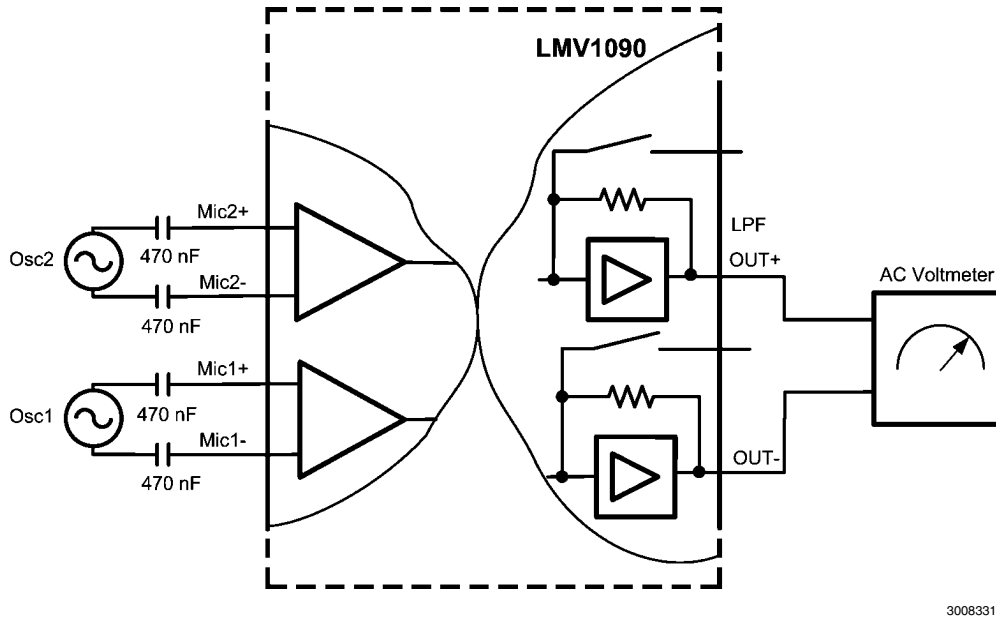
**Note 7:** Datasheet min/max specification limits are guaranteed by test, or statistical analysis.

**Note 8:** The voltage at I<sup>2</sup>CV<sub>DD</sub> must not exceed the voltage on V<sub>DD</sub>.

**Note 9:** Default value used for performance measurements.

**Note 10:** Guaranteed by design.

## Test Methods



30083312

FIGURE 2.  $FFNS_E$ ,  $NFSL_E$ ,  $SNRI_E$  Test Circuit

### FAR FIELD NOISE SUPPRESSION ( $FFNS_E$ )

For optimum noise suppression the far field noise should be in a broadside array configuration from the two microphones (see Figure 8). Which means the far field sound source is equidistance from the two microphones. This configuration allows the amplitude of the far field signal to be equal at the two microphone inputs, however a slight phase difference may still exist. To simulate a real world application a slight phase delay was added to the  $FFNS_E$  test. The block diagram from Figure 3 is used with the following procedure to measure the  $FFNS_E$ .

1. A sine wave with equal frequency and amplitude ( $25mV_{P-P}$ ) is applied to Mic1 and Mic2. Using a signal generator, the phase of Mic 2 is delayed by  $1.1^\circ$  when compared with Mic1.
2. Measure the output level in dBV (X)
3. Mute the signal from Mic2
4. Measure the output level in dBV (Y)
5.  $FFNS_E = Y - X$  dB

### NEAR FIELD SPEECH LOSS ( $NFSL_E$ )

For optimum near field speech preservation, the sound source should be in an endfire array configuration from the

two microphones (see Figure 9). In this configuration the speech signal at the microphone closest to the sound source will have greater amplitude than the microphone further away. Additionally the signal at microphone further away will experience a phase lag when compared with the closer microphone. To simulate this, phase delay as well as amplitude shift was added to the  $NFSL_E$  test. The schematic from Figure 3 is used with the following procedure to measure the  $NFSL_E$ .

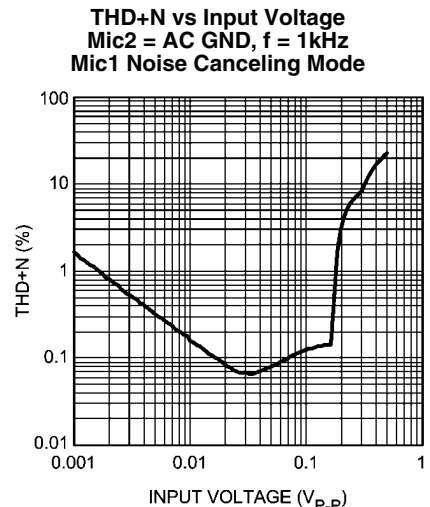
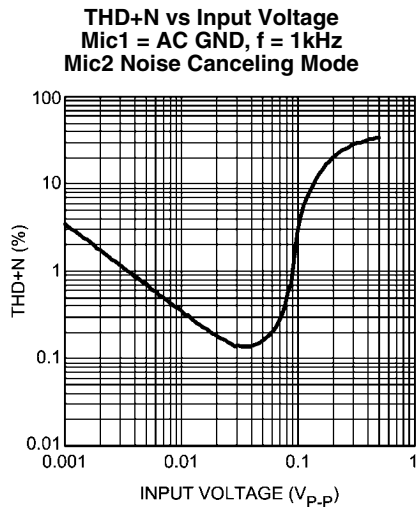
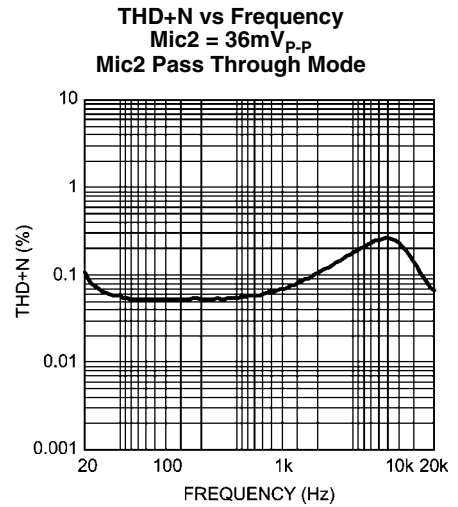
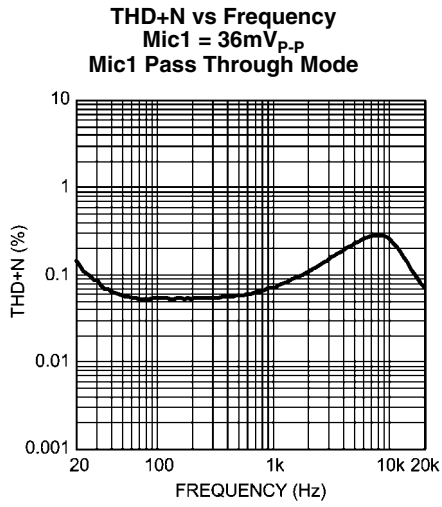
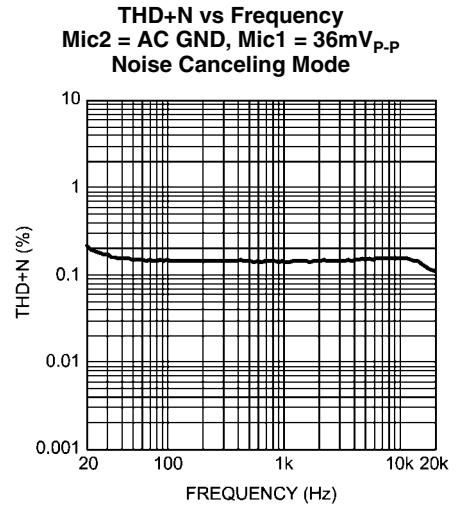
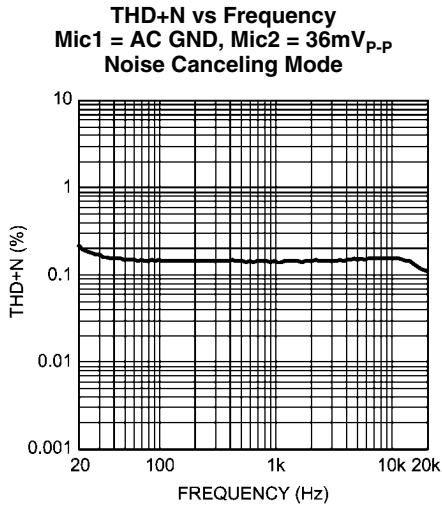
1. A  $25mV_{P-P}$  and  $17.25mV_{P-P}$  ( $0.69 \cdot 25mV_{P-P}$ ) sine wave is applied to Mic1 and Mic2 respectively. Once again, a signal generator is used to delay the phase of Mic2 by  $15.9^\circ$  when compared with Mic1.
2. Measure the output level in dBV (X)
3. Mute the signal from Mic2
4. Measure the output level in dBV (Y)
5.  $NFSL_E = Y - X$  dB

### SIGNAL TO NOISE RATIO IMPROVEMENT ELECTRICAL ( $SNRI_E$ )

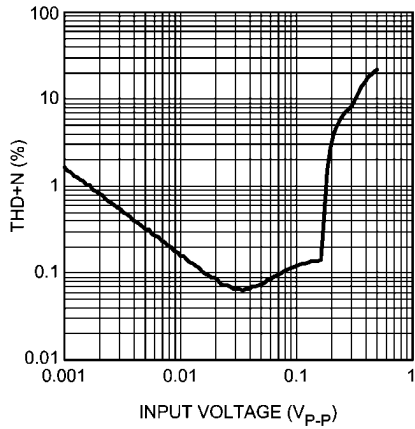
The  $SNRI_E$  is the ratio of  $FFNS_E$  to  $NFSL_E$  and is defined as:

$$SNRI_E = FFNS_E - NFSL_E$$

**Typical Performance Characteristics** Unless otherwise specified,  $T_J = 25^\circ\text{C}$ ,  $V_{DD} = 3.3\text{V}$ , Input Voltage =  $18\text{mV}_{\text{p-p}}$ ,  $f = 1\text{ kHz}$ , pass through mode (Note 8), Pre Amp gain = 20dB, Post Amp gain = 6dB,  $R_L = 100\text{k}\Omega$ , and  $C_L = 4.7\text{pF}$ .

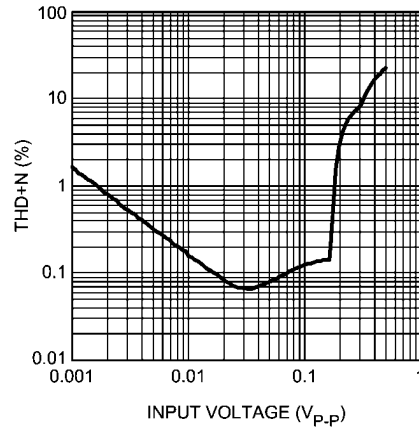


**THD+N vs Input Voltage**  
**f = 1kHz**  
**Mic1 Pass Through Mode**



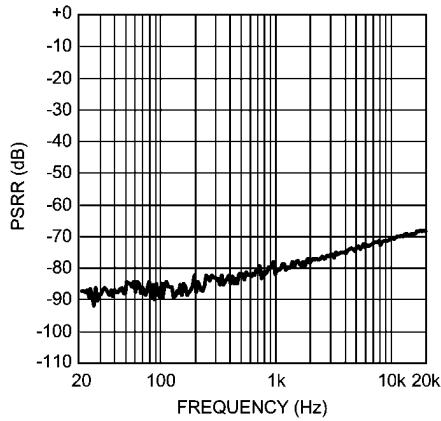
30083322

**THD+N vs Input Voltage**  
**f = 1kHz**  
**Mic2 Pass Through Mode**



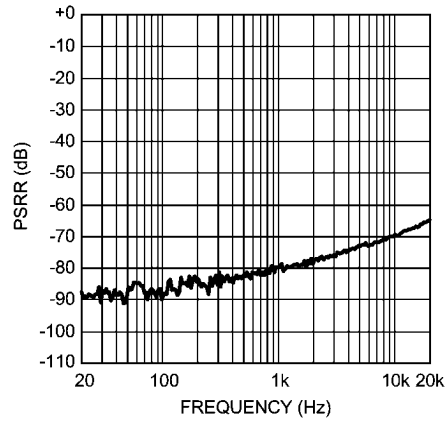
30083325

**PSRR vs Frequency**  
**Pre Amp Gain = 20dB, Post Amp Gain = 6dB**  
**V<sub>RIPPLE</sub> = 100mV<sub>p-p</sub>, Mic1 = Mic2 = AC GND**  
**Mic1 Pass Through Mode**



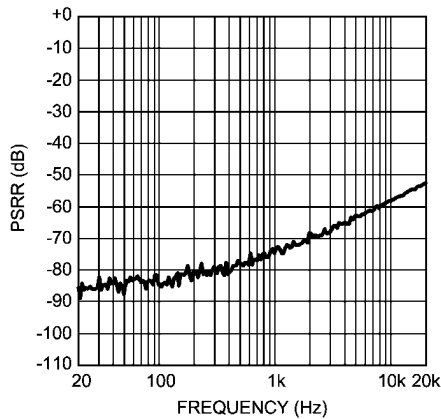
30083314

**PSRR vs Frequency**  
**Pre Amp Gain = 20dB, Post Amp Gain = 6dB**  
**V<sub>RIPPLE</sub> = 100mV<sub>p-p</sub>, Mic1 = Mic2 = AC GND**  
**Mic2 Pass Through Mode**



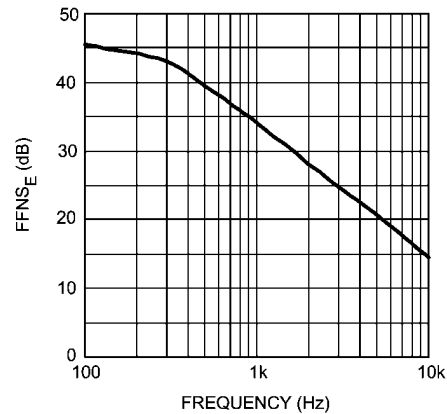
30083315

**PSRR vs Frequency**  
**Pre Amp Gain = 20dB, Post Amp Gain = 6dB**  
**V<sub>RIPPLE</sub> = 100mV<sub>p-p</sub>, Mic1 = Mic2 = AC GND**  
**Noise Canceling Mode**



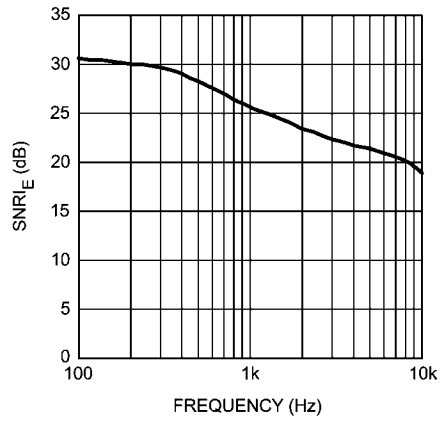
30083316

**Far Field Noise Suppression Electrical vs Frequency**



30083357

Signal-to-Noise Ratio Electrical vs Frequency



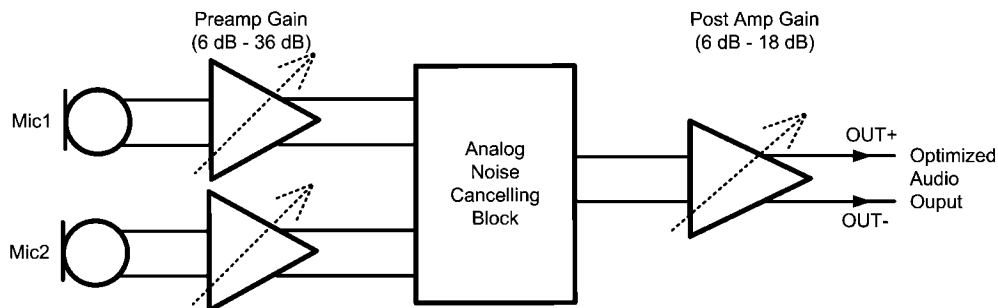
30083358

## Application Data

### INTRODUCTION

The LMV1090 is a fully analog single chip solution to reduce the far field noise picked up by microphones in a communi-

cation system. A simplified block diagram is provided in Figure 3.



30083324

FIGURE 3. Simplified Block Diagram of the LMV1090

The output signal of the microphones is amplified by a pre-amplifier with adjustable gain between 6dB and 36dB. After the signals are matched the analog noise cancelling suppresses the far field noise signal. The output of the analog noise cancelling processor is amplified in the post amplifier with adjustable gain between 6dB and 18dB. For optimum noise and EMI immunity, the microphones have a differential connection to the LMV1090 and the output of the LMV1090 is also differential. The adjustable gain functions can be controlled via I<sup>2</sup>C.

### Power Supply Circuits

A low drop-out (LDO) voltage regulator in the LMV1090 allows the device to be independent of supply voltage variations.

The Power On Reset (POR) circuitry in the LMV1090 requires the supply voltage to rise from 0V to  $V_{DD}$  in less than 100ms.

The Mic Bias output is provided as a low noise supply source for the electret microphones. The noise voltage on the Mic Bias microphone supply output pin depends on the noise voltage on the internal reference node. The de-coupling capacitor on the  $V_{REF}$  pin determines the noise voltage on this internal reference. This capacitor should be larger than 1nF; having a larger capacitor value will result in a lower noise voltage on the Mic Bias output.

Most of the logic levels for the digital control interface are relative to  $I^2CV_{DD}$  voltage. This eases interfacing to the micro controller of the application containing the LMV1090. The supply voltage on the  $I^2CV_{DD}$  pin must never exceed the voltage on the  $V_{DD}$  pin.

Only the four pins that determine the default power up gain have logic levels relative to  $V_{DD}$ .

### Shutdown Function

As part of the Powerwise™ family, the LMV1090 consumes only 0.50mA of current. In many applications the part does not need to be continuously operational. To further reduce the power consumption in the inactive period, the LMV1090 provides two individual microphone power down functions. When either one of the shutdown functions is activated the part will go into shutdown mode consuming only a few  $\mu A$  of supply current.

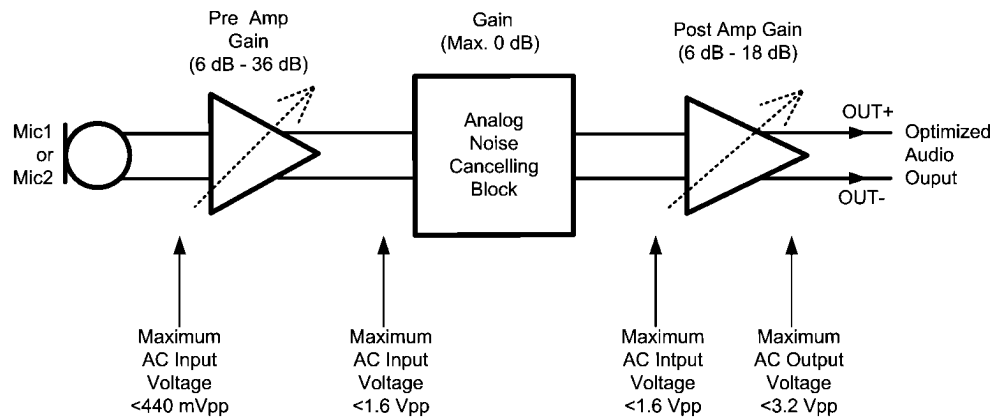
#### SHUTDOWN VIA HARDWARE PIN

The hardware shutdown function is operated via the EN pin. In normal operation the EN pin must be at a 'high' level ( $V_{DD}$ ). Whenever a 'low' level (GND) is applied to the EN pin the part will go into shutdown mode disabling all internal circuits.

### Gain Balance and Gain Budget

In systems where input signals have a high dynamic range, critical noise levels or where the dynamic range of the output voltage is also limited, careful gain balancing is essential for the best performance. Too low of a gain setting in the pre-amplifier can result in higher noise levels while too high of a gain setting in the preamplifier will result in clipping and saturation in the noise cancelling processor and output stages.

The gain ranges and maximum signal levels for the different functional blocks are shown in Figure 4. Two examples are given as a guideline on how to select proper gain settings.



30083337

FIGURE 4. Maximum Signal Levels

**Example 1**

An application using microphones with  $50\text{mV}_{\text{P-P}}$  maximum output voltage, and a baseband chip after the LMV1091 with  $1.5\text{V}_{\text{P-P}}$  maximum input voltage.

For optimum noise performance, the gain of the input stage should be set to the maximum.

- $50\text{mV}_{\text{P-P}} + 36\text{ dB} = 3.1\text{V}_{\text{P-P}}$ .
- $3.1\text{V}_{\text{P-P}}$  is higher than the maximum  $1.4\text{V}_{\text{P-P}}$  allowed for the Noise Cancelling Block (NCB). This means a gain lower than 29.5dB should be selected.
- Select the nearest lower gain from the gain settings shown in Table 4, 28dB is selected. This will prevent the NCP from being overloaded by the microphone. With this setting, the resulting output level of the Pre Amplifier will be  $1.26\text{V}_{\text{P-P}}$ .
- The NCB has a gain of 0dB which will result in  $1.26\text{V}_{\text{P-P}}$  at the output of the LMV1091. This level is less than maximum level that is allowed at the input of the post amp of the LMV1091.
- The baseband chip limits the maximum output voltage to  $1.5\text{V}_{\text{P-P}}$  with the minimum of 6dB post amp gain, this results in requiring a lower level at the input of the post amp of  $0.75\text{V}_{\text{P-P}}$ . Now calculating this for a maximum preamp gain, the output of the preamp must be no more than  $0.75\text{V}_{\text{P-P}}$ .
- Calculating the new gain for the preamp will result in <math><23.5\text{dB}</math> gain.
- The nearest lower gain will be 22dB.

So using preamp gain = 22dB and postamp gain = 6dB is the optimum for this application.

### Example 2

An application using microphones with  $10\text{mV}_{\text{P-P}}$  maximum output voltage, and a baseband chip after the LMV1090 with  $3.3\text{V}_{\text{P-P}}$  maximum input voltage.

For optimum noise performance we would like to have the maximum gain at the input stage.

1.  $10\text{mV}_{\text{P-P}} + 36\text{dB} = 631\text{mV}_{\text{P-P}}$ .
2. This is lower than the maximum  $1.5\text{V}_{\text{P-P}}$  so this is OK.
3. The NCB has a gain of  $0\text{dB}$  which will result in  $1.5\text{V}_{\text{P-P}}$  at the output of the LMV1091. This level is lower than maximum level that is allowed at the input of the Post Amp of the LMV1091.
4. With a Post Amp gain setting of  $6\text{dB}$  the output of the Post Amp will be  $3\text{V}_{\text{P-P}}$  which is OK for the baseband.
5. The nearest lower Post Amp gain will be  $6\text{dB}$ .

So using preamp gain =  $36\text{dB}$  and postamp gain =  $6\text{dB}$  is optimum for this application.

## I<sup>2</sup>C Compatible Interface

The LMV1090 is controlled through an I<sup>2</sup>C compatible serial interface that consists of a serial data line (SDA) and a serial clock (SCL). The clock line are uni-directional. \*The LMV1090 and the master can communicate at clock rates up to  $400\text{kHz}$ . Figure 5 shows the I<sup>2</sup>C Interface timing diagram. Data on the SDA line must be stable during the HIGH period of SCL. The LMV1090 is a transmit/receive slave-only device, reliant upon the master to generate the SCL signal. Each transmission sequence is framed by a START condition and a STOP condition (Figure 6). The data line is 8 bits long and is always followed by an acknowledge pulse (Figure 7).

## I<sup>2</sup>C Compatible Interface Power Supply Pin (I<sup>2</sup>CV<sub>DD</sub>)

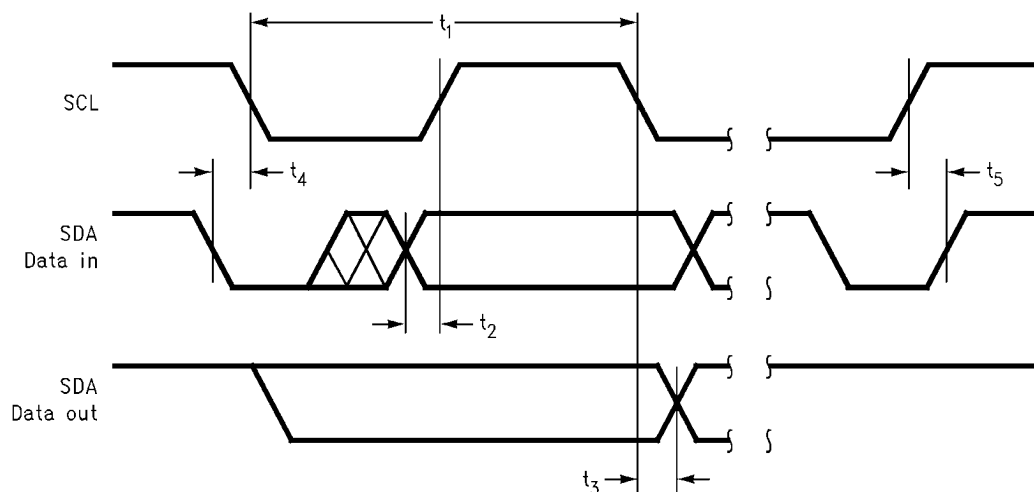
The LMV1090 I<sup>2</sup>C interface is powered up through the I<sup>2</sup>CV<sub>DD</sub> pin. The LMV1090 I<sup>2</sup>C interface operates at a voltage

level set by the I<sup>2</sup>CV<sub>DD</sub> pin which can be set independent to that of the main power supply pin V<sub>DD</sub>. This is ideal whenever logic levels for the I<sup>2</sup>C Interface are dictated by a microcontroller or microprocessor that is operating at a lower supply voltage than the main battery of a portable system.

## I<sup>2</sup>C Bus Format

The I<sup>2</sup>C bus format is shown in Figure 7. The START signal, the transition of SDA from HIGH to LOW while SCL is HIGH is generated, alerting all devices on the bus that a device address is being written to the bus. The 7-bit device address is written to the bus, most significant bit (MSB) first followed by the R/W bit, R/W = 0 indicates the master is writing to the slave device, R/W = 1 indicates the master wants to read data from the slave device. Set R/W = 0; the LMV1090 is a WRITE-ONLY device and will not respond to the R/W = 1. The data is latched in on the rising edge of the clock. Each address bit must be stable while SCL is HIGH. After the last address bit is transmitted, the master device release SDA, during which time, an acknowledge clock pulse is generated by the slave device. If the LMV1090 receives the correct address, the device pulls the SDA line low, generating an acknowledge bit (ACK)

Once the master device registers the ACK bit, the 8-bit register data word is sent. Each data bit should be stable while SCL is HIGH. After the 8-bit register data word is sent, the LMV1090 sends another ACK bit. Following the acknowledgement of the last register data word, the master issues a STOP bit, allowing SDA to go high while SCL is high.

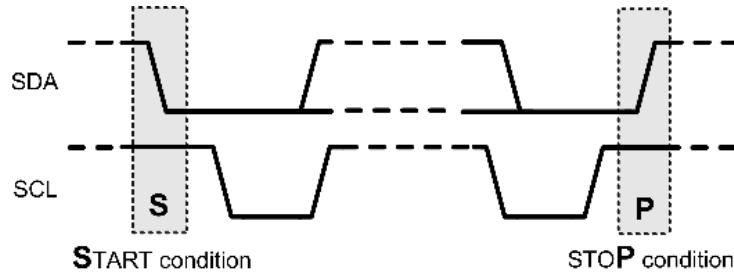


30083313

FIGURE 5. I<sup>2</sup>C Timing Diagram

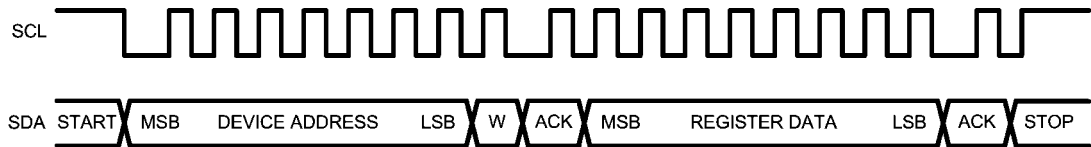
\*The data line is bi-directional (open drain)





300833q2

FIGURE 6. I<sup>2</sup>C Start Stop Conditions



30083308

FIGURE 7. Start and Stop Diagram

TABLE 2. Chip Address

	B7	B6	B5	B4	B3	B2	B1	B0/ $\overline{W}$
Chip Address	1	1	0	0	1	1	1	0

**NOTE:** The 7th Bit (B7) of the Register Data determines whether it will activate Register A or Register B.

TABLE 3. I<sup>2</sup>C Register Description

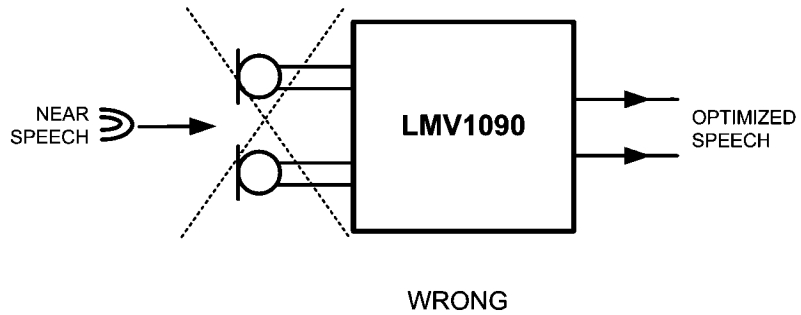
Address B[7]	Reg.	Bits	Description	Default	
0	A	Gain setting for the pre amplifier from 6dB up to 36dB in 2dB steps			0000
		[3:0]	0000	6dB	
			0001	8dB	
			0010	10dB	
			0011	12dB	
			0100	14dB	
			0101	16dB	
			0110	18dB	
			0111	20dB	
			1000	22dB	
			1001	24dB	
			1010	26dB	
			1011	28dB	
			1100	30dB	
			1101	32dB	
		1110	34dB		
		1111	36dB		
		Gain setting for the post amplifier from 6dB to 18dB in 3dB steps			000
		[6:4]	000	6dB	
			001	9dB	
010	12dB				
011	15dB				
100	18dB				
101	18dB				
110	18dB				
111	18dB				
111	18dB				
1	B	[1:0]	B[0] = mute mic 1 and B[1] = mute mic 2 (0 = microphone on)	00	
		[3:2]	Mic enable bits, B[3] = enable Mic 2, B[2] = enable Mic 1 (1 = enable), B3 and B2 both 0 = disable Mic 1 and Mic 2	00	
		Mic select bits			00
		[5:4]	00	Noise cancelling mode	
			01	Only Mic 1 enabled (pass through)	
			10	Only Mic 2 enabled (pass through)	
11	Mic 1 + Mic 2				
[6]	Not Used				

## Microphone Placement

Because the LMV1090 is a microphone array Far Field Noise Reduction solution, proper microphone placement is critical for optimum performance. Two things need to be considered: The spacing between the two microphones and the position of the two microphones relative to near field source

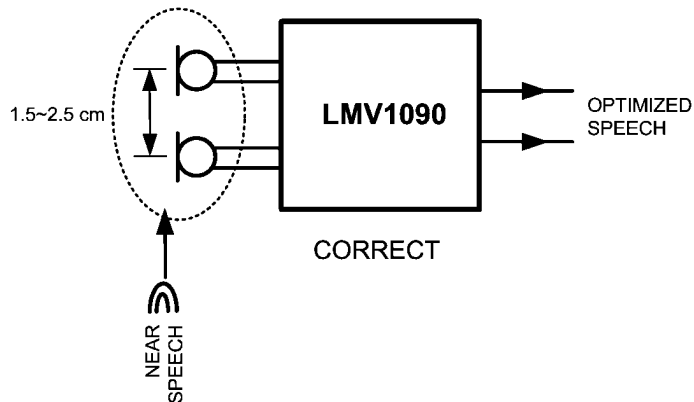
If the spacing between the two microphones is too small near field speech will be canceled along with the far field noise. Conversely, if the spacing between the two microphones is

large, the far field noise reduction performance will be degraded. The optimum spacing between Mic 1 and Mic 2 is 1.5-2.5cm. This range provides a balance of minimal near field speech loss and maximum far field noise reduction. The microphones should be in line with the desired sound source 'near speech' and configured in an endfire array (see Figure 9) orientation from the sound source. If the 'near speech' (desired sound source) is equidistant to the source like a broadside array (see Figure 8) the result will be a great deal of near field speech loss.



30083343

FIGURE 8. Broadside Array (WRONG)



30083342

FIGURE 9. Endfire Array (CORRECT)

## Low-Pass Filter At The Output

At the output of the LMV1090 there is a provision to create a 1<sup>st</sup> order low-pass filter (only enabled in 'Noise Cancelling' mode). This low-pass filter can be used to compensate for the change in frequency response that results from the noise cancellation process. The change in frequency response resembles a first-order high-pass filter, and for many of the applications it can be compensated by a first-order low-pass filter with cutoff frequency between 1.5kHz and 2.5kHz.

The transfer function of the low-pass filter is derived as:

$$H(s) = \frac{\text{Post Amplifier gain}}{sR_f C_f + 1}$$

This low-pass filter is created by connecting a capacitor between the LPF pin and the OUT pin of the LMV1090. The value of this capacitor also depends on the selected output gain. For different gains the feedback resistance in the low-pass filter network changes as shown in [Table 4](#).

This will result in the following values for a cutoff frequency of 2000 Hz:

**TABLE 4. Low-Pass Filter Capacitor For 2kHz**

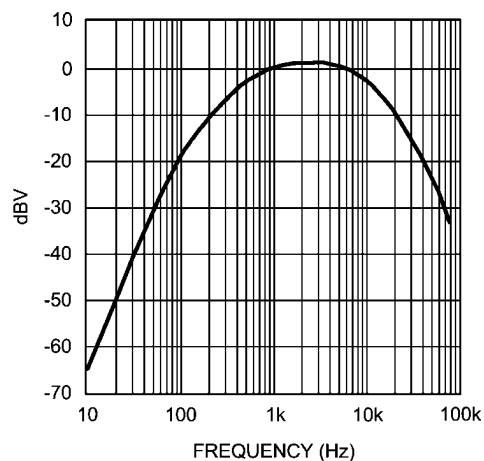
Post Amplifier Gain Setting (dB)	R <sub>f</sub> (kΩ)	C <sub>f</sub> (nF)
6	20	3.9
9	29	2.7
12	40	2.0
15	57	1.3
18	80	1.0

## A-Weighted Filter

The human ear is sensitive for acoustic signals within a frequency range from about 20Hz to 20kHz. Within this range the sensitivity of the human ear is not equal for each frequency. To approach the hearing response, weighting filters are introduced. One of those filters is the A-weighted filter.

The A-weighted filter is used in signal to noise measurements, where the wanted audio signal is compared to device noise and distortion.

The use of this filter improves the correlation of the measured values to the way these ratios are perceived by the human ear.



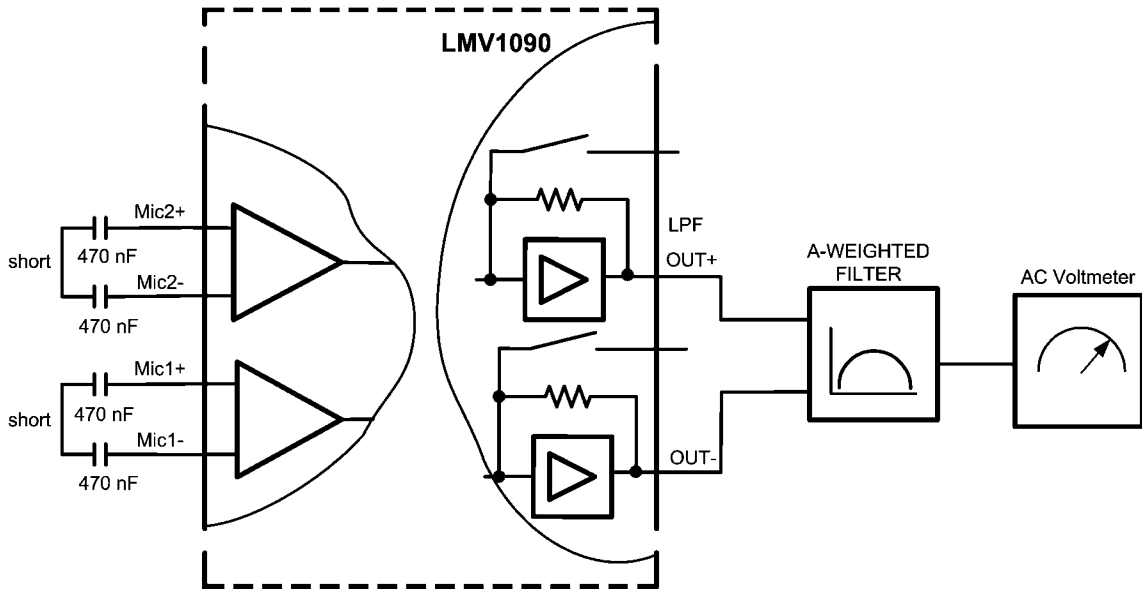
30083310

**FIGURE 10. A-Weighted Filter**

## Measuring Noise and SNR

The overall noise of the LMV1090 is measured within the frequency band from 10Hz to 22kHz using an A-weighted filter.

The Mic+ and Mic- inputs of the LMV1090 are AC shorted between the input capacitors, see Figure 11.



30083311

FIGURE 11. Noise Measurement Setup

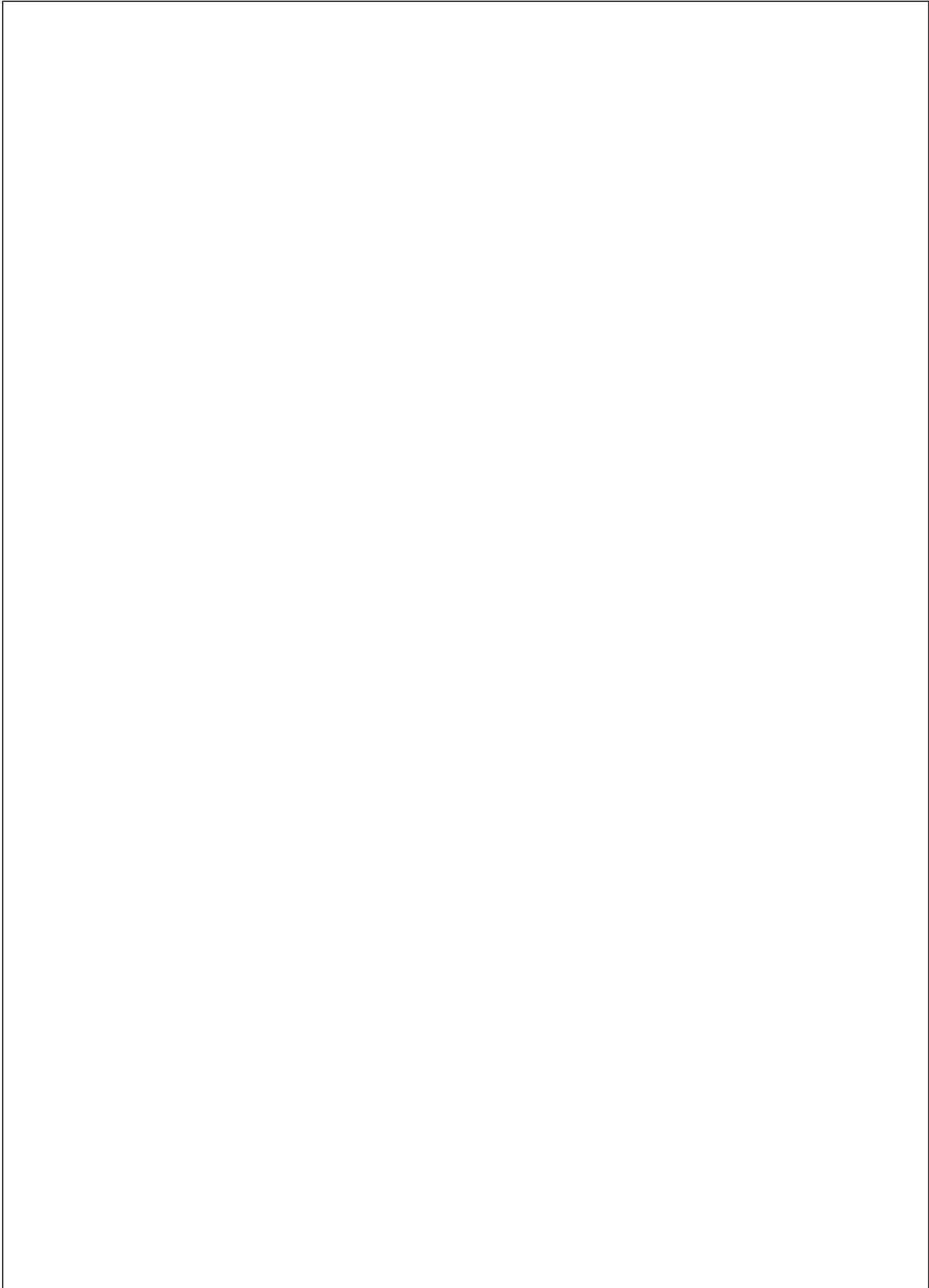
For the signal to noise ratio (SNR) the signal level at the output is measured with a 1kHz input signal of 18mV<sub>P-P</sub> using an A-weighted filter. This voltage represents the output voltage of a typical electret condenser microphone at a sound pressure level of 94dB SPL, which is the standard level for these measurements. The LMV1090 is programmed for 26dB of to-

tal gain (20dB preamplifier and 6dB postamplifier) with only Mic1 or Mic2 used. (See also I<sup>2</sup>C Compatible Interface).

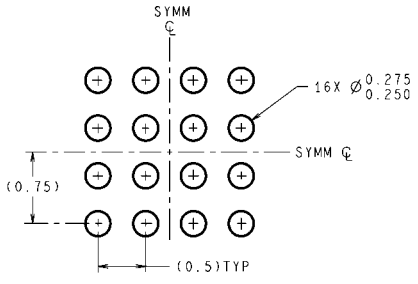
The input signal is applied differentially between the Mic+ and Mic-. Because the part is in Pass Through mode the low-pass filter at the output of the LMV1090 is disabled.

## Revision History

Rev	Date	Description
1.0	07/01/09	Initial released.
1.01	07/10/09	Deleted the Limit values (on Zin) from both the 3.3V and 5V EC tables.
1.02	07/30/09	Edited the package dimensions (X1, X2, and X3).
1.03	09/02/09	Deleted the "Measurement Setup" paragraph.
1.04	10/12/09	Text edits.
1.05	10/15/09	Deleted the input limits on Zin (both from the 3.3V and 5.0V).
1.06	10/29/09	Text edits.
1.07	07/02/10	Edited curves 30083357 and 30083358.

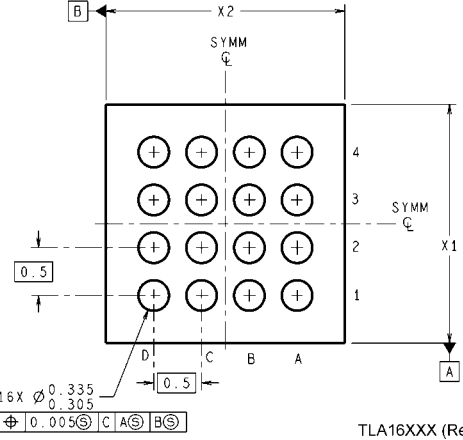
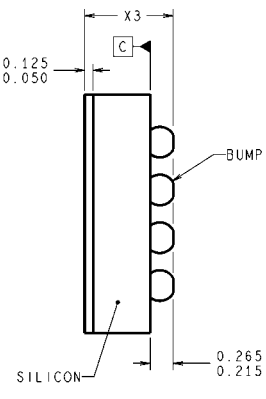
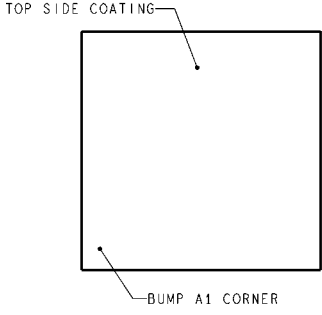


**Physical Dimensions** inches (millimeters) unless otherwise noted



**DIMENSIONS ARE IN MILLIMETERS**  
DIMENSIONS IN ( ) FOR REFERENCE ONLY

**LAND PATTERN RECOMMENDATION**



TLA16XXX (Rev C)

**16 Bump micro SMD Technology**  
**NS Package Number TLA1611A**  
**X<sub>1</sub> = 1970µm X<sub>2</sub> = 1970µm X<sub>3</sub> = 600µm**



## Notes

For more National Semiconductor product information and proven design tools, visit the following Web sites at:  
[www.national.com](http://www.national.com)

Products		Design Support	
Amplifiers	<a href="http://www.national.com/amplifiers">www.national.com/amplifiers</a>	WEBENCH® Tools	<a href="http://www.national.com/webench">www.national.com/webench</a>
Audio	<a href="http://www.national.com/audio">www.national.com/audio</a>	App Notes	<a href="http://www.national.com/appnotes">www.national.com/appnotes</a>
Clock and Timing	<a href="http://www.national.com/timing">www.national.com/timing</a>	Reference Designs	<a href="http://www.national.com/refdesigns">www.national.com/refdesigns</a>
Data Converters	<a href="http://www.national.com/adc">www.national.com/adc</a>	Samples	<a href="http://www.national.com/samples">www.national.com/samples</a>
Interface	<a href="http://www.national.com/interface">www.national.com/interface</a>	Eval Boards	<a href="http://www.national.com/evalboards">www.national.com/evalboards</a>
LVDS	<a href="http://www.national.com/lvds">www.national.com/lvds</a>	Packaging	<a href="http://www.national.com/packaging">www.national.com/packaging</a>
Power Management	<a href="http://www.national.com/power">www.national.com/power</a>	Green Compliance	<a href="http://www.national.com/quality/green">www.national.com/quality/green</a>
Switching Regulators	<a href="http://www.national.com/switchers">www.national.com/switchers</a>	Distributors	<a href="http://www.national.com/contacts">www.national.com/contacts</a>
LDOs	<a href="http://www.national.com/ldo">www.national.com/ldo</a>	Quality and Reliability	<a href="http://www.national.com/quality">www.national.com/quality</a>
LED Lighting	<a href="http://www.national.com/led">www.national.com/led</a>	Feedback/Support	<a href="http://www.national.com/feedback">www.national.com/feedback</a>
Voltage References	<a href="http://www.national.com/vref">www.national.com/vref</a>	Design Made Easy	<a href="http://www.national.com/easy">www.national.com/easy</a>
PowerWise® Solutions	<a href="http://www.national.com/powerwise">www.national.com/powerwise</a>	Applications & Markets	<a href="http://www.national.com/solutions">www.national.com/solutions</a>
Serial Digital Interface (SDI)	<a href="http://www.national.com/sdi">www.national.com/sdi</a>	Mil/Aero	<a href="http://www.national.com/milaero">www.national.com/milaero</a>
Temperature Sensors	<a href="http://www.national.com/tempensors">www.national.com/tempensors</a>	SolarMagic™	<a href="http://www.national.com/solarmagic">www.national.com/solarmagic</a>
PLL/VCO	<a href="http://www.national.com/wireless">www.national.com/wireless</a>	PowerWise® Design University	<a href="http://www.national.com/training">www.national.com/training</a>

THE CONTENTS OF THIS DOCUMENT ARE PROVIDED IN CONNECTION WITH NATIONAL SEMICONDUCTOR CORPORATION ("NATIONAL") PRODUCTS. NATIONAL MAKES NO REPRESENTATIONS OR WARRANTIES WITH RESPECT TO THE ACCURACY OR COMPLETENESS OF THE CONTENTS OF THIS PUBLICATION AND RESERVES THE RIGHT TO MAKE CHANGES TO SPECIFICATIONS AND PRODUCT DESCRIPTIONS AT ANY TIME WITHOUT NOTICE. NO LICENSE, WHETHER EXPRESS, IMPLIED, ARISING BY ESTOPPEL OR OTHERWISE, TO ANY INTELLECTUAL PROPERTY RIGHTS IS GRANTED BY THIS DOCUMENT.

TESTING AND OTHER QUALITY CONTROLS ARE USED TO THE EXTENT NATIONAL DEEMS NECESSARY TO SUPPORT NATIONAL'S PRODUCT WARRANTY. EXCEPT WHERE MANDATED BY GOVERNMENT REQUIREMENTS, TESTING OF ALL PARAMETERS OF EACH PRODUCT IS NOT NECESSARILY PERFORMED. NATIONAL ASSUMES NO LIABILITY FOR APPLICATIONS ASSISTANCE OR BUYER PRODUCT DESIGN. BUYERS ARE RESPONSIBLE FOR THEIR PRODUCTS AND APPLICATIONS USING NATIONAL COMPONENTS. PRIOR TO USING OR DISTRIBUTING ANY PRODUCTS THAT INCLUDE NATIONAL COMPONENTS, BUYERS SHOULD PROVIDE ADEQUATE DESIGN, TESTING AND OPERATING SAFEGUARDS.

EXCEPT AS PROVIDED IN NATIONAL'S TERMS AND CONDITIONS OF SALE FOR SUCH PRODUCTS, NATIONAL ASSUMES NO LIABILITY WHATSOEVER, AND NATIONAL DISCLAIMS ANY EXPRESS OR IMPLIED WARRANTY RELATING TO THE SALE AND/OR USE OF NATIONAL PRODUCTS INCLUDING LIABILITY OR WARRANTIES RELATING TO FITNESS FOR A PARTICULAR PURPOSE, MERCHANTABILITY, OR INFRINGEMENT OF ANY PATENT, COPYRIGHT OR OTHER INTELLECTUAL PROPERTY RIGHT.

#### LIFE SUPPORT POLICY

**NATIONAL'S PRODUCTS ARE NOT AUTHORIZED FOR USE AS CRITICAL COMPONENTS IN LIFE SUPPORT DEVICES OR SYSTEMS WITHOUT THE EXPRESS PRIOR WRITTEN APPROVAL OF THE CHIEF EXECUTIVE OFFICER AND GENERAL COUNSEL OF NATIONAL SEMICONDUCTOR CORPORATION.** As used herein:

Life support devices or systems are devices which (a) are intended for surgical implant into the body, or (b) support or sustain life and whose failure to perform when properly used in accordance with instructions for use provided in the labeling can be reasonably expected to result in a significant injury to the user. A critical component is any component in a life support device or system whose failure to perform can be reasonably expected to cause the failure of the life support device or system or to affect its safety or effectiveness.

National Semiconductor and the National Semiconductor logo are registered trademarks of National Semiconductor Corporation. All other brand or product names may be trademarks or registered trademarks of their respective holders.

Copyright© 2010 National Semiconductor Corporation

For the most current product information visit us at [www.national.com](http://www.national.com)



**National Semiconductor Americas Technical Support Center**  
 Email: [support@nsc.com](mailto:support@nsc.com)  
 Tel: 1-800-272-9959

**National Semiconductor Europe Technical Support Center**  
 Email: [europe.support@nsc.com](mailto:europe.support@nsc.com)

**National Semiconductor Asia Pacific Technical Support Center**  
 Email: [ap.support@nsc.com](mailto:ap.support@nsc.com)

**National Semiconductor Japan Technical Support Center**  
 Email: [jpn.feedback@nsc.com](mailto:jpn.feedback@nsc.com)

## IMPORTANT NOTICE

Texas Instruments Incorporated and its subsidiaries (TI) reserve the right to make corrections, modifications, enhancements, improvements, and other changes to its products and services at any time and to discontinue any product or service without notice. Customers should obtain the latest relevant information before placing orders and should verify that such information is current and complete. All products are sold subject to TI's terms and conditions of sale supplied at the time of order acknowledgment.

TI warrants performance of its hardware products to the specifications applicable at the time of sale in accordance with TI's standard warranty. Testing and other quality control techniques are used to the extent TI deems necessary to support this warranty. Except where mandated by government requirements, testing of all parameters of each product is not necessarily performed.

TI assumes no liability for applications assistance or customer product design. Customers are responsible for their products and applications using TI components. To minimize the risks associated with customer products and applications, customers should provide adequate design and operating safeguards.

TI does not warrant or represent that any license, either express or implied, is granted under any TI patent right, copyright, mask work right, or other TI intellectual property right relating to any combination, machine, or process in which TI products or services are used. Information published by TI regarding third-party products or services does not constitute a license from TI to use such products or services or a warranty or endorsement thereof. Use of such information may require a license from a third party under the patents or other intellectual property of the third party, or a license from TI under the patents or other intellectual property of TI.

Reproduction of TI information in TI data books or data sheets is permissible only if reproduction is without alteration and is accompanied by all associated warranties, conditions, limitations, and notices. Reproduction of this information with alteration is an unfair and deceptive business practice. TI is not responsible or liable for such altered documentation. Information of third parties may be subject to additional restrictions.

Resale of TI products or services with statements different from or beyond the parameters stated by TI for that product or service voids all express and any implied warranties for the associated TI product or service and is an unfair and deceptive business practice. TI is not responsible or liable for any such statements.

TI products are not authorized for use in safety-critical applications (such as life support) where a failure of the TI product would reasonably be expected to cause severe personal injury or death, unless officers of the parties have executed an agreement specifically governing such use. Buyers represent that they have all necessary expertise in the safety and regulatory ramifications of their applications, and acknowledge and agree that they are solely responsible for all legal, regulatory and safety-related requirements concerning their products and any use of TI products in such safety-critical applications, notwithstanding any applications-related information or support that may be provided by TI. Further, Buyers must fully indemnify TI and its representatives against any damages arising out of the use of TI products in such safety-critical applications.

TI products are neither designed nor intended for use in military/aerospace applications or environments unless the TI products are specifically designated by TI as military-grade or "enhanced plastic." Only products designated by TI as military-grade meet military specifications. Buyers acknowledge and agree that any such use of TI products which TI has not designated as military-grade is solely at the Buyer's risk, and that they are solely responsible for compliance with all legal and regulatory requirements in connection with such use.

TI products are neither designed nor intended for use in automotive applications or environments unless the specific TI products are designated by TI as compliant with ISO/TS 16949 requirements. Buyers acknowledge and agree that, if they use any non-designated products in automotive applications, TI will not be responsible for any failure to meet such requirements.

Following are URLs where you can obtain information on other Texas Instruments products and application solutions:

### Products

Audio	<a href="http://www.ti.com/audio">www.ti.com/audio</a>
Amplifiers	<a href="http://amplifier.ti.com">amplifier.ti.com</a>
Data Converters	<a href="http://dataconverter.ti.com">dataconverter.ti.com</a>
DLP® Products	<a href="http://www.dlp.com">www.dlp.com</a>
DSP	<a href="http://dsp.ti.com">dsp.ti.com</a>
Clocks and Timers	<a href="http://www.ti.com/clocks">www.ti.com/clocks</a>
Interface	<a href="http://interface.ti.com">interface.ti.com</a>
Logic	<a href="http://logic.ti.com">logic.ti.com</a>
Power Mgmt	<a href="http://power.ti.com">power.ti.com</a>
Microcontrollers	<a href="http://microcontroller.ti.com">microcontroller.ti.com</a>
RFID	<a href="http://www.ti-rfid.com">www.ti-rfid.com</a>
OMAP Mobile Processors	<a href="http://www.ti.com/omap">www.ti.com/omap</a>
Wireless Connectivity	<a href="http://www.ti.com/wirelessconnectivity">www.ti.com/wirelessconnectivity</a>

### Applications

Communications and Telecom	<a href="http://www.ti.com/communications">www.ti.com/communications</a>
Computers and Peripherals	<a href="http://www.ti.com/computers">www.ti.com/computers</a>
Consumer Electronics	<a href="http://www.ti.com/consumer-apps">www.ti.com/consumer-apps</a>
Energy and Lighting	<a href="http://www.ti.com/energy">www.ti.com/energy</a>
Industrial	<a href="http://www.ti.com/industrial">www.ti.com/industrial</a>
Medical	<a href="http://www.ti.com/medical">www.ti.com/medical</a>
Security	<a href="http://www.ti.com/security">www.ti.com/security</a>
Space, Avionics and Defense	<a href="http://www.ti.com/space-avionics-defense">www.ti.com/space-avionics-defense</a>
Transportation and Automotive	<a href="http://www.ti.com/automotive">www.ti.com/automotive</a>
Video and Imaging	<a href="http://www.ti.com/video">www.ti.com/video</a>

TI E2E Community Home Page

[e2e.ti.com](http://e2e.ti.com)

Mailing Address: Texas Instruments, Post Office Box 655303, Dallas, Texas 75265  
Copyright © 2011, Texas Instruments Incorporated