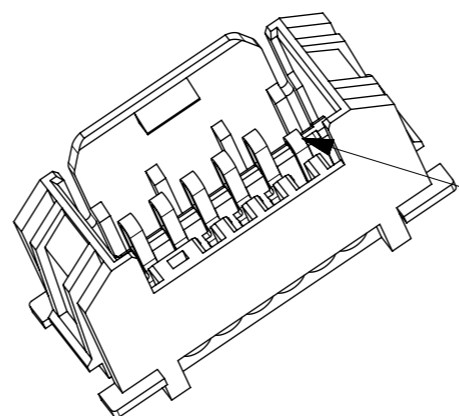
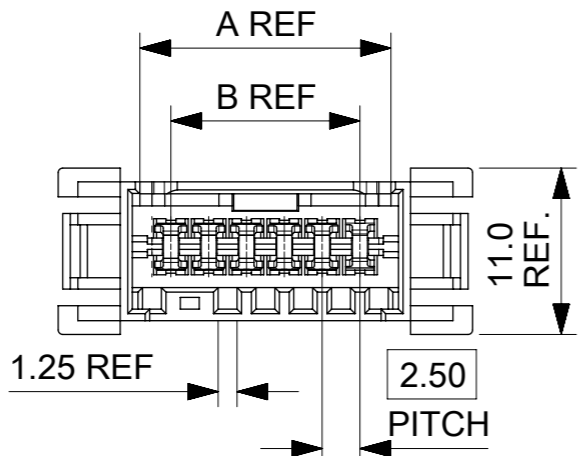
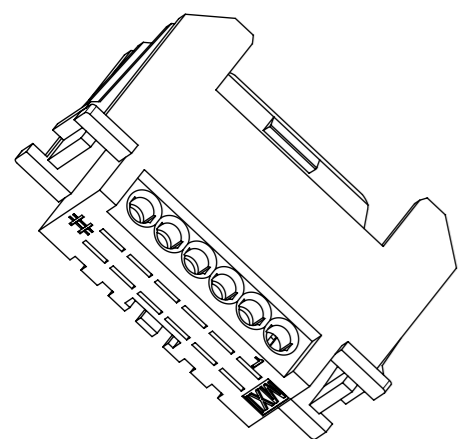
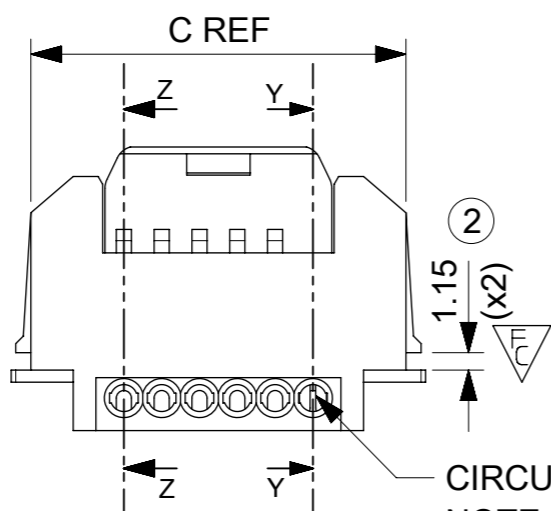
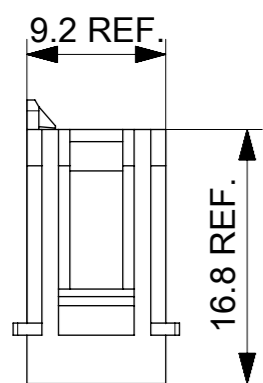


6 CIRCUIT CONNECTOR SHOWN

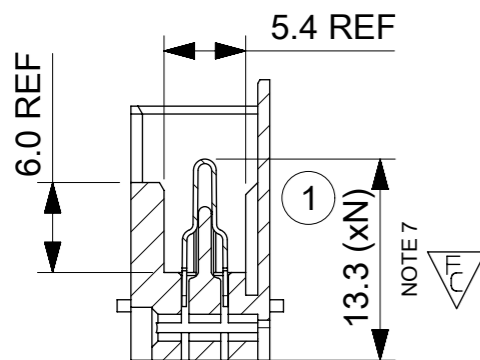
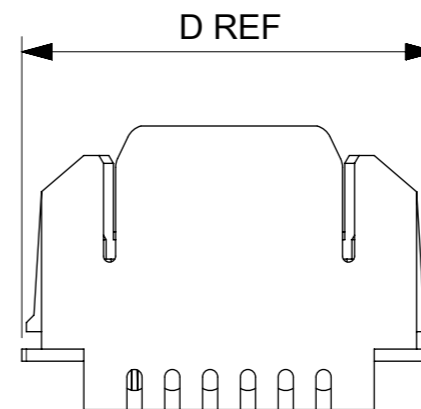
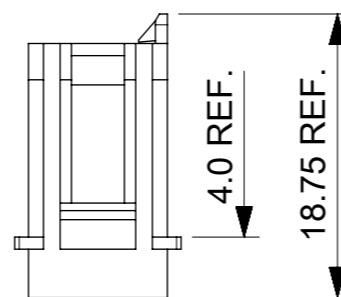


CIRCUIT 1
NOTE 6

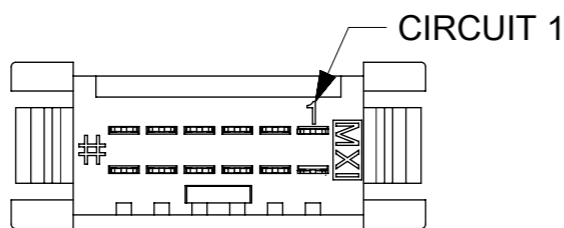
CKT	A	B	C	D	E
2	7.6	2.5	14.8	17.4	15
3	10.1	5.0	17.3	19.9	17.5
4	12.6	7.5	19.8	22.4	20.0
5	15.1	10.0	22.3	24.9	22.5
6	17.6	12.5	24.8	27.4	25.0
7	20.1	15.0	27.3	29.9	27.5
8	22.6	17.5	29.8	32.4	30.0
9	25.1	20.0	32.3	34.9	32.5
10	27.6	22.5	34.8	37.4	35.0
11	30.1	25.0	37.3	39.9	37.5
12	32.6	27.5	39.8	42.4	40.0
13	35.1	30.0	42.3	44.9	42.5
14	37.6	32.5	44.8	47.4	45.0
15	40.1	35.0	47.3	49.9	47.5



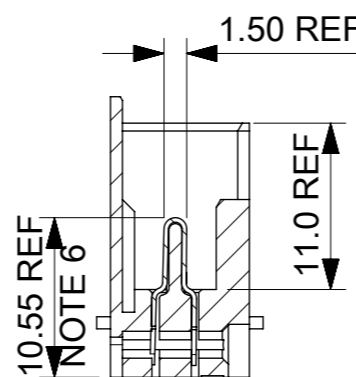
CIRCUIT 1
NOTE 6



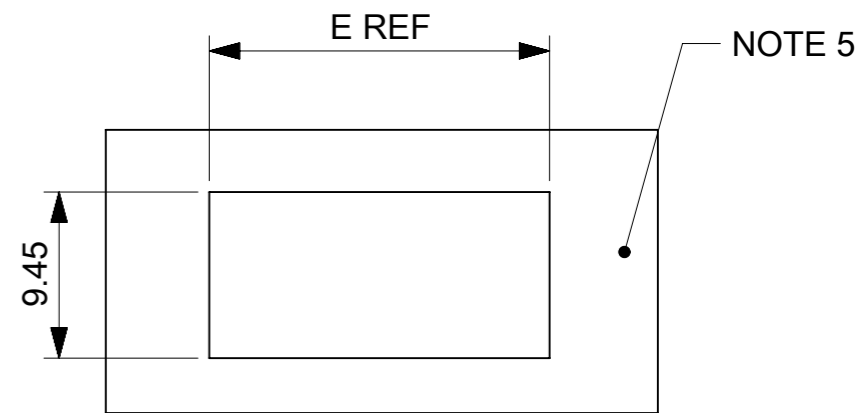
SECTION Z-Z



CIRCUIT 1



SECTION Y-Y



RECOMMENDED PANEL OPENING

- NOTES:
- MATERIALS
HOUSING: POLYAMIDE 6 (PA6)
UL94-V2. COLOUR NATURAL
TERMINAL: COPPER ALLOY
PLATING: PRE PLATED HOT TIN DIP
 - PRODUCT CONFORMS TO SPECIFICATION PS-99020-0090.
 - MATES WITH RAST 2.5 APPLIMATE FEMALE CONNS.
 - SEE PACKAGING PK-93422-001
 - CONNECTOR DESIGNED FOR USE WITH PANEL 0.80MM TO 0.90MM THICKNESS.
 - TERMINATED HEIGHT. CIRCUIT 1 SHOWN IN TERMINATED POSITION ONLY FOR PURPOSE OF DIMENSIONING TERMINATED HEIGHT POSITION.
 - TERMINAL PRE-TERMINATED HEIGHT. N=NUMBER OF CIRCUITS.
 - SEE APPLICATION SPEC AS-99033-010.
 - CONNECTOR DESIGNED TO RAST 2.5 STANDARD.

LAST INSPECTION NUMBER: 2

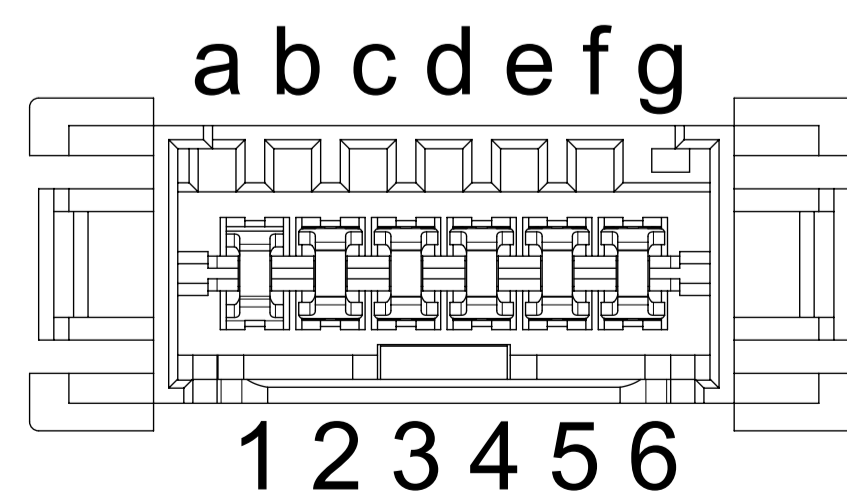
THIS DRAWING CONTAINS INFORMATION THAT IS PROPRIETARY TO MOLEX ELECTRONIC TECHNOLOGIES, LLC AND SHOULD NOT BE USED WITHOUT WRITTEN PERMISSION									
DIMENSION UNITS	SCALE	CURRENT REV DESC: ADDED NEW P/N SHT2							
mm	2:1								
GENERAL TOLERANCES (UNLESS SPECIFIED)									
ANGULAR TOL	± 0.5°	EC NO: 616330		2019/04/26		WIRE TO WIRE HEADER ASSEMBLY		PANEL MOUNT 2.5MM PITCH 0.22-0.38MM ² CABLE	
4 PLACES	±	DRWN: AKABADI		2019/04/26		PRODUCT CUSTOMER DRAWING			
3 PLACES	±	CHK'D: BODEA		2019/05/06		DOCUMENT NUMBER		DOC TYPE DOC PART REVISION	
2 PLACES	± 0.05	APPR: DRYAN		2019/05/06		934220001		PSD 000 J	
1 PLACE	± 0.1	INITIAL REVISION:		2016/03/30		MATERIAL NUMBER		CUSTOMER	
0 PLACES	±	DRWN: TJMURPHY		2016/06/13		SEE CHARTS		GENERAL MARKET	
DRAFT WHERE APPLICABLE MUST REMAIN WITHIN DIMENSIONS		THIRD ANGLE PROJECTION		DRAWING		SERIES		SHEET NUMBER	
				A3-SIZE		93422		1 OF 3	

2 Circuit			
MOLEX PART NO.	MOLEX HSG PART NO.	BLOCKED POSITION KEYS	CONFIGURATION (SEE NOTES)
93422-9001	93428-0201	NONE	

3 Circuit				
MOLEX PART NO.	MOLEX HSG PART NO.	BLOCKED POSITION KEYS	TERMINAL VOID POSITION	CONFIGURATION (SEE NOTES)
93422-0002	93428-0301	NONE	NONE	
93422-0003	93428-0304	d	NONE	
93422-0004	93428-0301	NONE	2	
93422-0005	93428-0305	a c	NONE	
93422-0006	93428-0303	b d	NONE	

4 Circuit				
MOLEX PART NO.	MOLEX HSG PART NO.	BLOCKED POSITION KEYS	TERMINAL VOID POSITION	CONFIGURATION (SEE NOTES)
93422-0501	93428-0401	NONE	NONE	
93422-0502	93428-0402	a c e	NONE	
93422-0503	93428-0403	b d e	NONE	
93422-0504	93428-0401	NONE	1 4	
93422-0505	93428-0404	b c	NONE	
93422-0506	93428-0405	a b d	NONE	

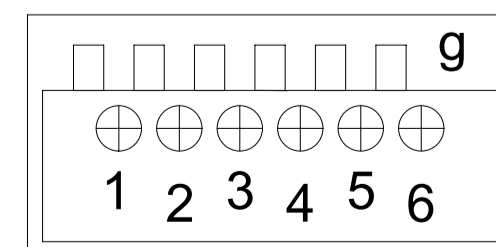
5 Circuit			
MOLEX PART NO.	MOLEX HSG PART NO.	BLOCKED POSITION KEYS	CONFIGURATION (SEE NOTES)
93422-1001	93428-0501	NONE	
93422-1002	93428-0502	a c d f	



CODING IDENTIFICATION
(6 CKT EXAMPLE WITH
CODING KEYS G BLOCKED)
VIEW IN MATING DIRECTION

NOTES:

- ⊕ DENOTES LOADED TERMINAL POSITION
+ DENOTES VOIDED TERMINAL POSITION
- MOLEX HOUSING NUMBER FOR REFERENCE ONLY



6 Circuit			
MOLEX PART NO.	MOLEX HSG PART NO.	BLOCKED POSITION KEYS	CONFIGURATION (SEE NOTES)
93422-1501	93428-0601	NONE	
93422-1502	93428-0602	c e	

7 Circuit			
MOLEX PART NO.	MOLEX HSG PART NO.	BLOCKED POSITION KEYS	CONFIGURATION (SEE NOTES)
93422-2001	93428-0701	NONE	

8 Circuit				
MOLEX PART NO.	MOLEX HSG PART NO.	BLOCKED POSITION KEYS	TERMINAL VOID POSITION	CONFIGURATION (SEE NOTES)
93422-2501	93428-0801	NONE	NONE	
93422-2502	93428-0801	NONE	5 7	

THIS DRAWING CONTAINS INFORMATION THAT IS PROPRIETARY TO MOLEX ELECTRONIC TECHNOLOGIES, LLC AND SHOULD NOT BE USED WITHOUT WRITTEN PERMISSION									
DIMENSION UNITS	SCALE	CURRENT REV DESC: ADDED NEW P/N SHT2							
mm	4:1								
GENERAL TOLERANCES (UNLESS SPECIFIED)									
ANGULAR TOL	± 0.5°	EC NO: 616330 DRWN: AKABADI 2019/04/26 CHK'D: BODEA 2019/04/26 APPR: DRYAN 2019/05/06							
4 PLACES	±	WIRE TO WIRE HEADER ASSEMBLY PANEL MOUNT 2.5MM PITCH 0.22-0.38MM2 CABLE							
3 PLACES	±								
2 PLACES	± 0.05	PRODUCT CUSTOMER DRAWING							
1 PLACE	± 0.1	INITIAL REVISION: DRWN: TJMURPHY 2016/03/30 APPR: BRUTTLE 2016/06/13							
0 PLACES	±	DOCUMENT NUMBER: 934220001 DOC TYPE: PSD DOC PART: 000 REVISION: J							
DRAFT WHERE APPLICABLE MUST REMAIN WITHIN DIMENSIONS		THIRD ANGLE PROJECTION	DRAWING	SERIES	MATERIAL NUMBER	CUSTOMER	SHEET NUMBER		
			A1-SIZE	93422	SEE CHARTS	GENERAL MARKET	2 OF 3		

9 Circuit			
MOLEX PART NO.	MOLEX HSG PART NO.	BLOCKED POSITION KEYS	CONFIGURATION (SEE NOTES)
93422-3001	93428-0901	NONE	

13 Circuit			
MOLEX PART NO.	MOLEX HSG PART NO.	BLOCKED POSITION KEYS	CONFIGURATION (SEE NOTES)
93422-5001	93428-1301	NONE	
93422-5002	93428-1302	a b c d k l m n	

10 Circuit			
MOLEX PART NO.	MOLEX HSG PART NO.	BLOCKED POSITION KEYS	CONFIGURATION (SEE NOTES)
93422-3501	93428-1001	NONE	

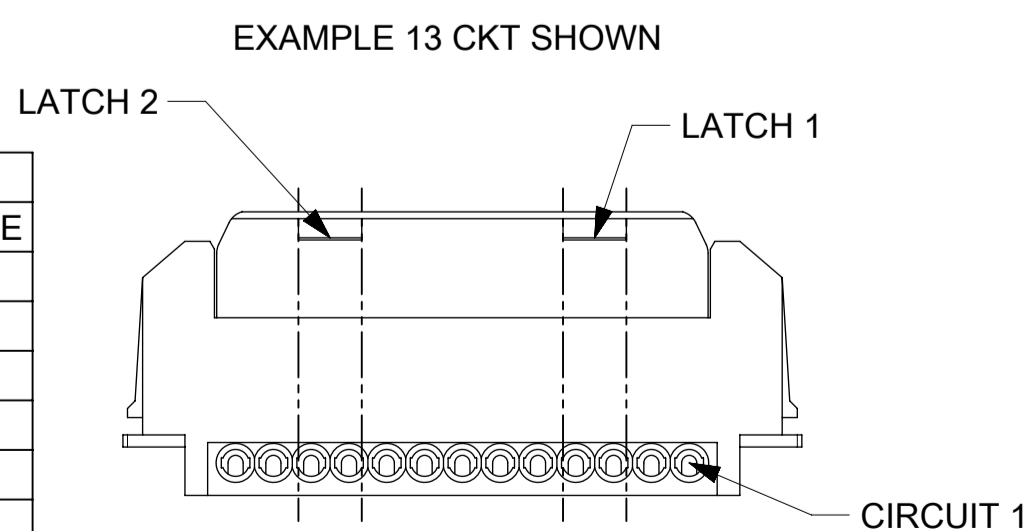
14 Circuit			
MOLEX PART NO.	MOLEX HSG PART NO.	BLOCKED POSITION KEYS	CONFIGURATION (SEE NOTES)
93422-5501	93428-1401	NONE	

11 Circuit			
MOLEX PART NO.	MOLEX HSG PART NO.	BLOCKED POSITION KEYS	CONFIGURATION (SEE NOTES)
93422-4001	93428-1101	NONE	

15 Circuit			
MOLEX PART NO.	MOLEX HSG PART NO.	BLOCKED POSITION KEYS	CONFIGURATION (SEE NOTES)
93422-6001	93428-1501	NONE	

12 Circuit			
MOLEX PART NO.	MOLEX HSG PART NO.	BLOCKED POSITION KEYS	CONFIGURATION (SEE NOTES)
93422-4501	93428-1201	NONE	

LATCH 1 POSITION ACROSS CIRCUITS	LATCH 2 POSITION ACROSS CIRCUITS	CIRCUIT SIZE
4 & 5	11 & 12	15
4 & 5	10 & 11	14
3 & 4	10 & 11	13
3 & 4	9 & 10	12
3 & 4	8 & 9	11
3 & 4	7 & 8	10



FOR CIRCUIT SIZE 10 AND ABOVE
2 LATCHES ARE PRESENT.
SEE TABLE BELOW FOR
POSITION OF LATCHES.

- NOTES:
- ⊕ DENOTES LOADED TERMINAL POSITION
+ DENOTES VOIDED TERMINAL POSITION
 - MOLEX HOUSING NUMBER FOR REFERENCE ONLY

THIS DRAWING CONTAINS INFORMATION THAT IS PROPRIETARY TO MOLEX ELECTRONIC TECHNOLOGIES, LLC AND SHOULD NOT BE USED WITHOUT WRITTEN PERMISSION			
DIMENSION UNITS mm	SCALE 1:1	CURRENT REV DESC: ADDED NEW P/N SHT2	
GENERAL TOLERANCES (UNLESS SPECIFIED)		 WIRE TO WIRE HEADER ASSEMBLY PANEL MOUNT 2.5MM PITCH 0.22-0.38MM2 CABLE	
ANGULAR TOL	± 0.5°		
4 PLACES	±		
3 PLACES	±		
2 PLACES	± 0.05		
1 PLACE	± 0.1	INITIAL REVISION:	
0 PLACES	±	DRWN: TJMURPHY 2016/03/30	
DRAFT WHERE APPLICABLE MUST REMAIN WITHIN DIMENSIONS		THIRD ANGLE PROJECTION	DRAWING
			A1-SIZE
		SERIES	93422
		MATERIAL NUMBER	934220001
		CUSTOMER	GENERAL MARKET
		SHEET NUMBER	3 OF 3
		DOCUMENT NUMBER	PSD 000 J