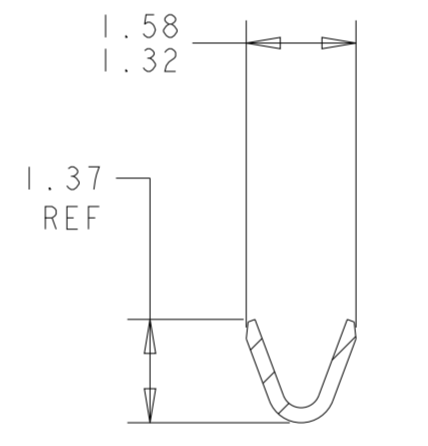
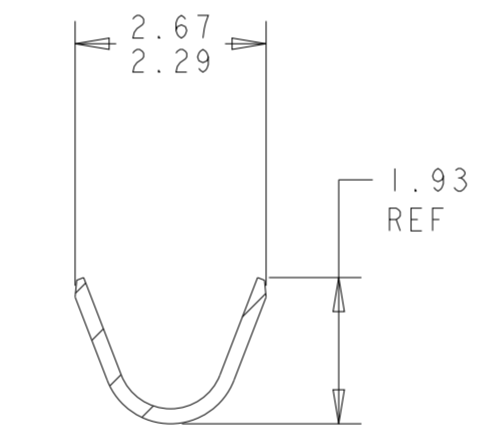
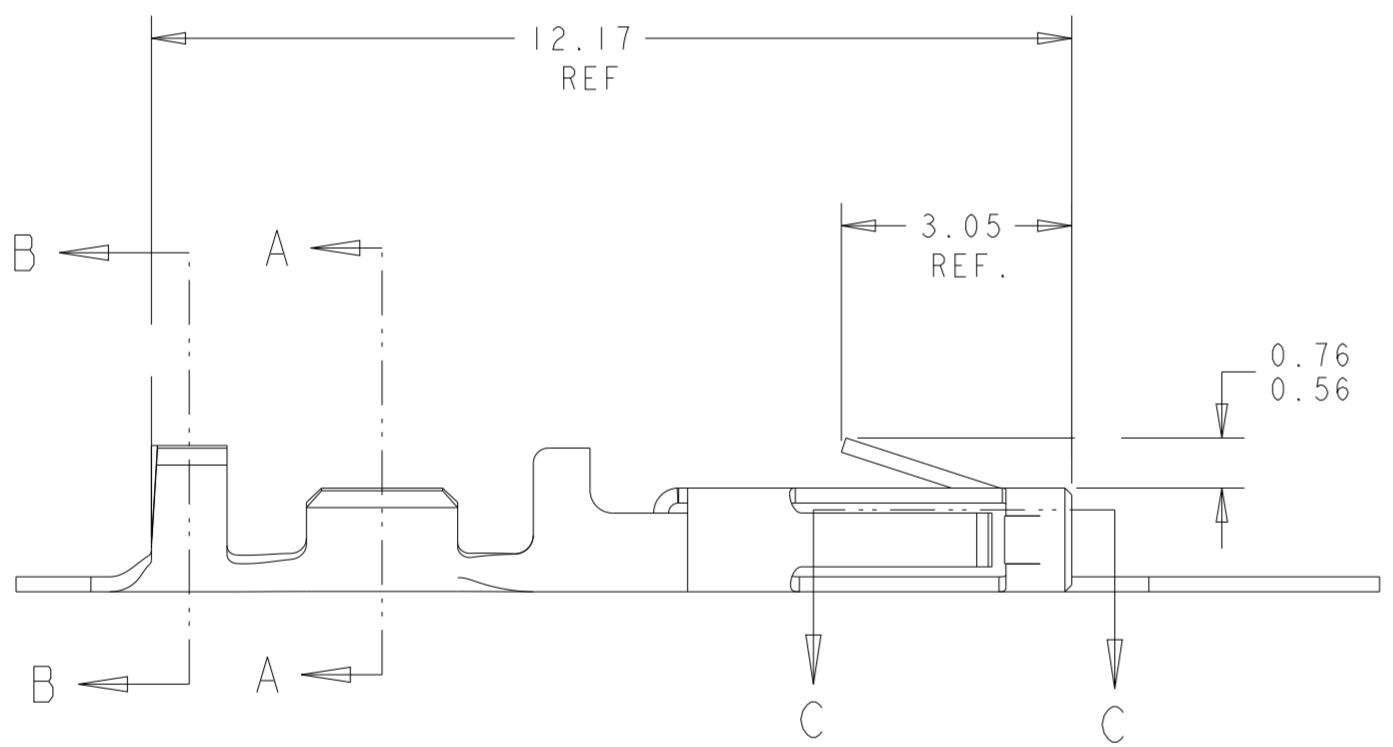
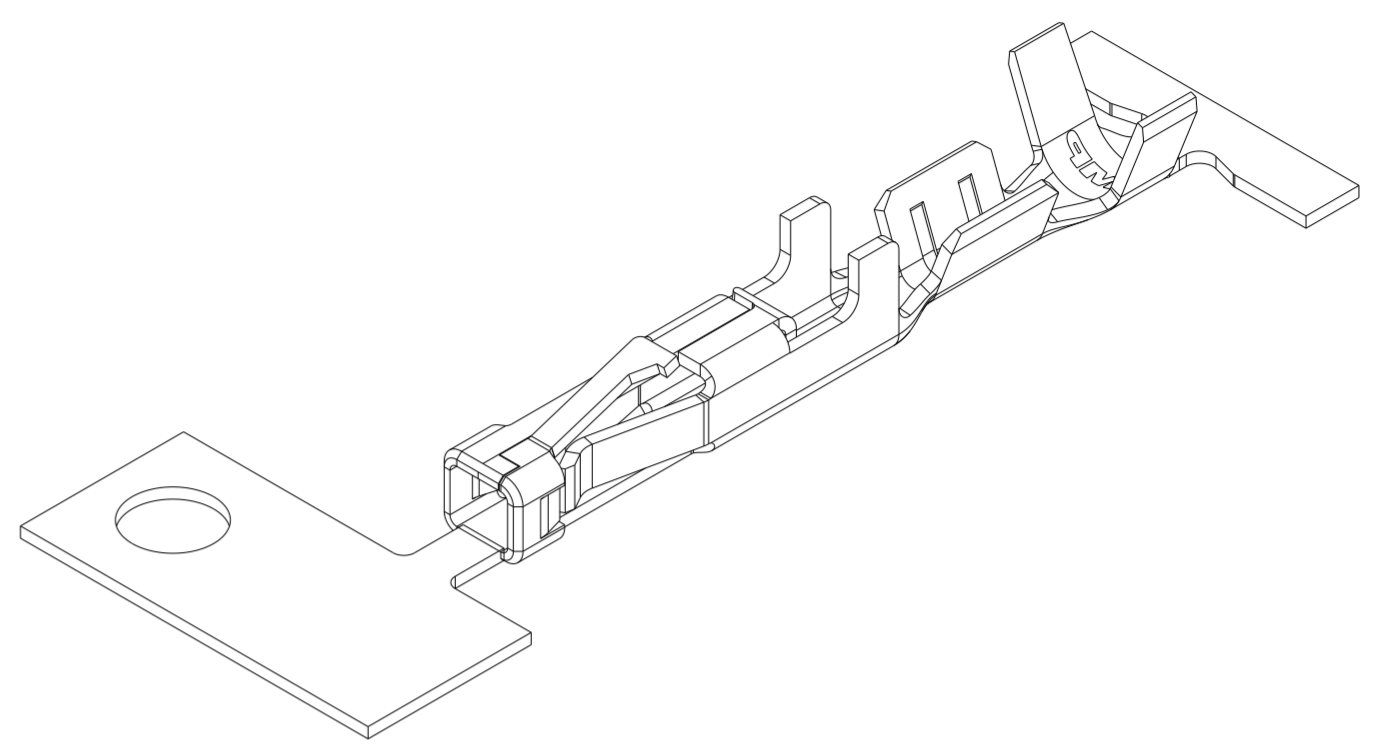
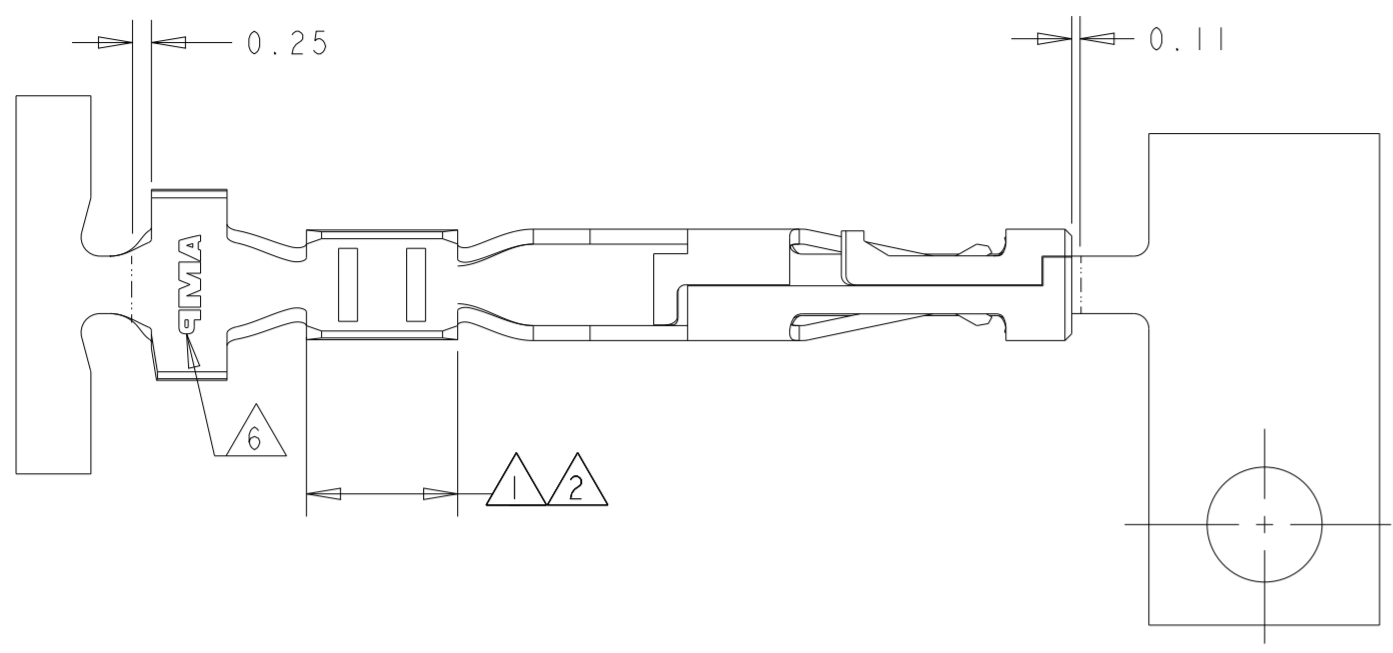


THIS DRAWING IS UNPUBLISHED. RELEASED FOR PUBLICATION  
 © COPYRIGHT 20 BY - ALL RIGHTS RESERVED.

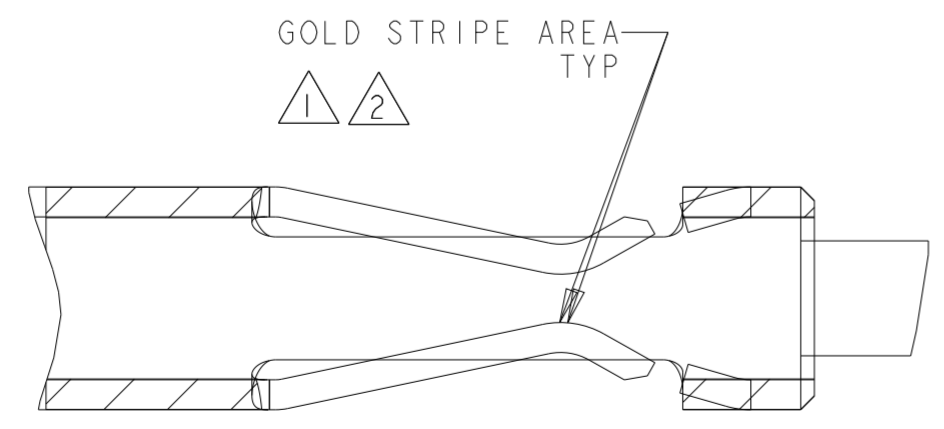
LOC	DIST	REVISIONS					
CM	53	P	LTR	DESCRIPTION	DATE	DWN	APVD
		F1		REVISED PER ECO-11-005027	14MAR2011	RK	HMR
		F2		REVISED PER ECR-18-006831	12JUN2018	JB	DZ
		F3		ECO-19-006909	03MAY2019	AP	WS
		F4		REVISED PER ECN-22-186748	25NOV2022	WLS	VS



SECTION B-B

SECTION A-A

- ① 0.000762 THK GOLD STRIPE IN THE GOLD PLATE AREA, BRIGHT TIN IN THE CRIMP AREA, OVER NICKEL PLATE.
- ② 0.000381 THK GOLD STRIPE IN THE GOLD PLATE AREA, BRIGHT TIN IN THE CRIMP AREA, OVER NICKEL PLATE.
- ③ 0.0015 - 0.0040 THK BRIGHT TIN.
- 4. WIRE RANGE: 26 - 30 AWG.
- 5. INSULATION RANGE 0.89 - 1.524.
- ⑥ AMP LOGO LOCATED APPROXIMATELY AS SHOWN.
- ⑦ 0.000762 THK GOLD STRIPE IN THE GOLD PLATE AREA, BRIGHT TIN-LEAD IN THE CRIMP AREA, OVER NICKEL PLATE.
- ⑧ 0.000381 THK GOLD STRIPE IN THE GOLD PLATE AREA, BRIGHT TIN-LEAD IN THE CRIMP AREA, OVER NICKEL PLATE.



SECTION C-C  
SCALE 20:1

	①	1-794607-2
	②	1-794607-1
SUPERSEDED BY	①	794607-3
SUPERSEDED BY	⑧	794607-2
	③	794607-1
REMARKS	FINISH	PART NUMBER

DIMENSIONS:		TOLERANCES UNLESS OTHERWISE SPECIFIED:		APVD		NAME	
mm	0 PLC ±	1 PLC ±	2 PLC ±0.13	K. WHITAKER	12-OCT-1999	STE TE Connectivity	
	3 PLC ±	4 PLC ±	ANGLES ±0.30°	K. COBLE	12-OCT-1999	CONTACT, RECEPTACLE, CRIMP SNAP-IN, MICRO MATE-N-LOK(TM)	
MATERIAL	FINISH	PRODUCT SPEC	APPLICATION SPEC	K. COBLE	12-OCT-1999	SIZE	CAGE CODE
0.2 PH BRZ	SEE TABLE	108-1836	114-13000			A200779	C-794607
		WEIGHT	CUSTOMER DRAWING			DRAWING NO	RESTRICTED TO
						SCALE 10:1	SHEET 1 OF 1
						REV F4	