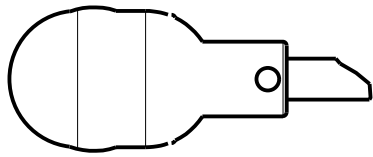
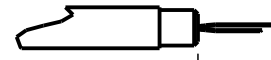
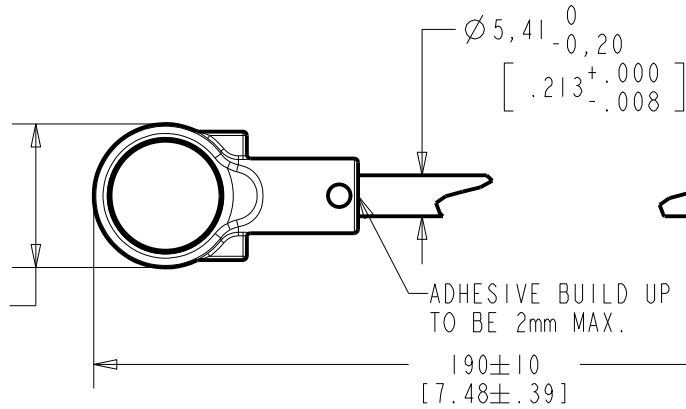


FB-EM-30342-000
SHT 1.1

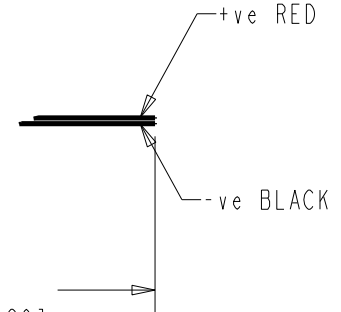


TOP VIEW
W/WINDSHIELD SHOWN
SCALE 1:1

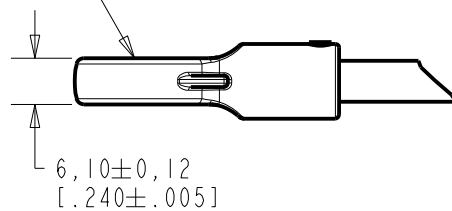
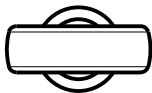
$\varnothing 19,0 \pm 0,3$
[.748 ± .012]



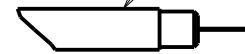
60 ± 5
[2.36 ± .20]



PLASTIC HOUSING, BLACK



BLACK POLYURETHANE SHRINK COVER
ON FLEXI-SET BOOM



WIRES
2mm STRIPPED & TINNED ENDS



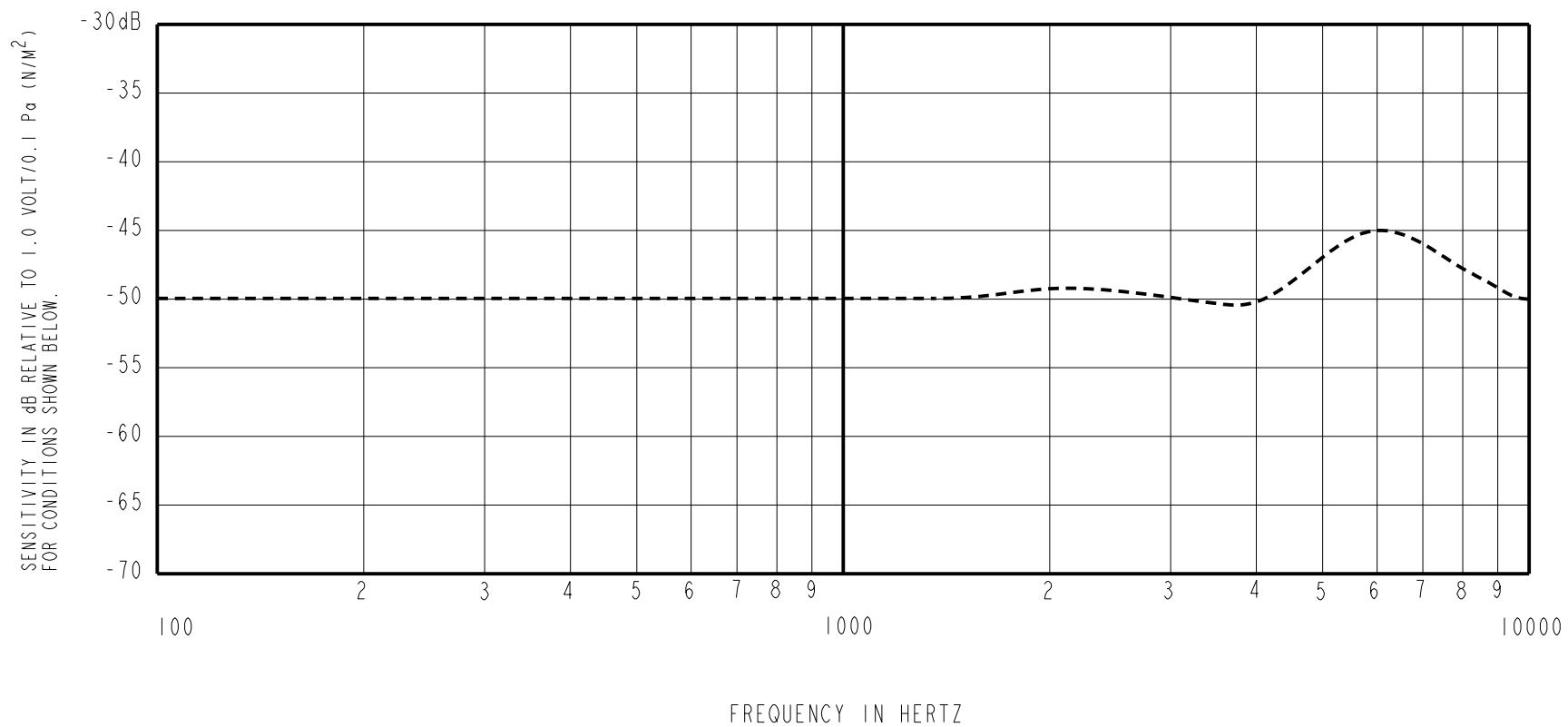
WIRE COLOR			WEIGHT GRAMS
+ve	OUTPUT	-ve	
RED	---	BLACK	---

DIMENSIONS IN MILLIMETERS [INCHES]

Revision	C.O. #	Implementation Date	RELEASE LEVEL	REVISION
C	C40101206	3-6-13	Active	C
B	C10107747	8-9-08		
A	C10107368	5-27-08		

SCALE: 1:1	DR. BY TT	DATE 5-27-08
DO NOT SCALE DRAWING	CK. BY GJP	DATE 6-4-08
TITLE: BOOM MICROPHONE	APP. BY GJP	DATE 6-4-08
OUTLINE DRAWING		DATE 6-4-08
		SHT 1.1

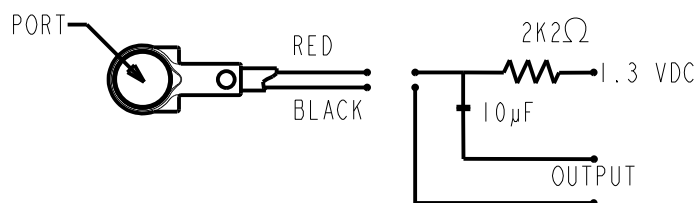
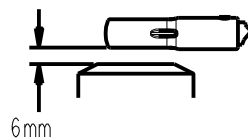
KNOWLES ELECTRONICS
ITASCA, ILLINOIS U.S.A.



FREQUENCY	SENSITIVITY			DEVICE CONFORMITY	
	MIN.	NOM.	MAX.	RANGE OF DEVIATION FROM 1KHz	
300	---	-50.0	---	-4.0	+4.0
1000	-54.0	-50.0	-46	0.0	0.0
2000	---	-49.5	---	-4.0	---
6000	---	-45.5	---	0.0	+9

NOTES:

- MICROPHONE TO BE FUNCTIONAL WITH 10 VDC SUPPLY.
- SENSITIVITY VALUES INDICATED ON THIS SPECIFICATION ARE VALID AT 50% HUMIDITY.
- TEST CONDITIONS:
HEAD OF BOOM EXPOSED TO 74 dB SPL SWEPT SOUND FIELD AT 6mm FROM VOICE APERTURE.
ARTIFICIAL VOICE:
B & k 4227 MOUTH SIMULATOR.
- FOR MICROPHONE CAPSULE SPEC. SEE DRAWING NR-25994-D63 SHEET 2.1.
- SURVIVES SUBMERSION IN 1m OF WATER FOR 5 MINUTES; SENSITIVITY WITHIN 3dB OF INITIAL SENSITIVITY AFTER DRIED FOR 30 MINUTES AT ROOM TEMPERATURE.



LEAD IDENTIFICATION
& TEST CIRCUIT

KNOWLES ELECTRONICS
ITASCA, ILLINOIS U.S.A.

Revision	C.O. #	Implementation Date	RELEASE LEVEL	REVISION
C	C40101206	3-6-13	Active	C
B	C10107747	8-9-08		
A	C10107368	5-27-08		
WHEN TEST LIMITS ARE USED TO ESTABLISH INCOMING INSPECTION ACCEPTANCE/REJECTION CRITERIA, CORRELATION OF TEST EQUIPMENT WITH KNOWLES IS ALSO REQUIRED FOR ELIMINATION OF EQUIPMENT AND TEST METHOD VARIATION			DR. BY	DATE
TITLE: BOOM MICROPHONE FB-EM-30342-000 PERFORMANCE SPECIFICATION SHT 2.1			TT	5-27-08
			CK. BY	DATE
			GJP	6-4-08
			APP. BY	DATE
			GJP	6-4-08