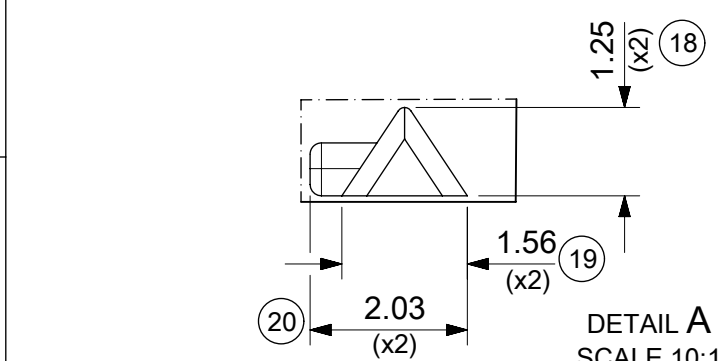
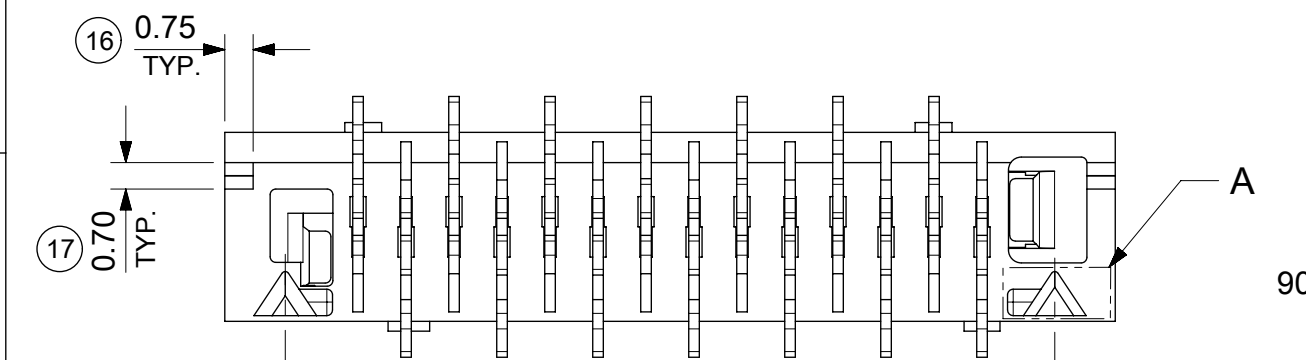
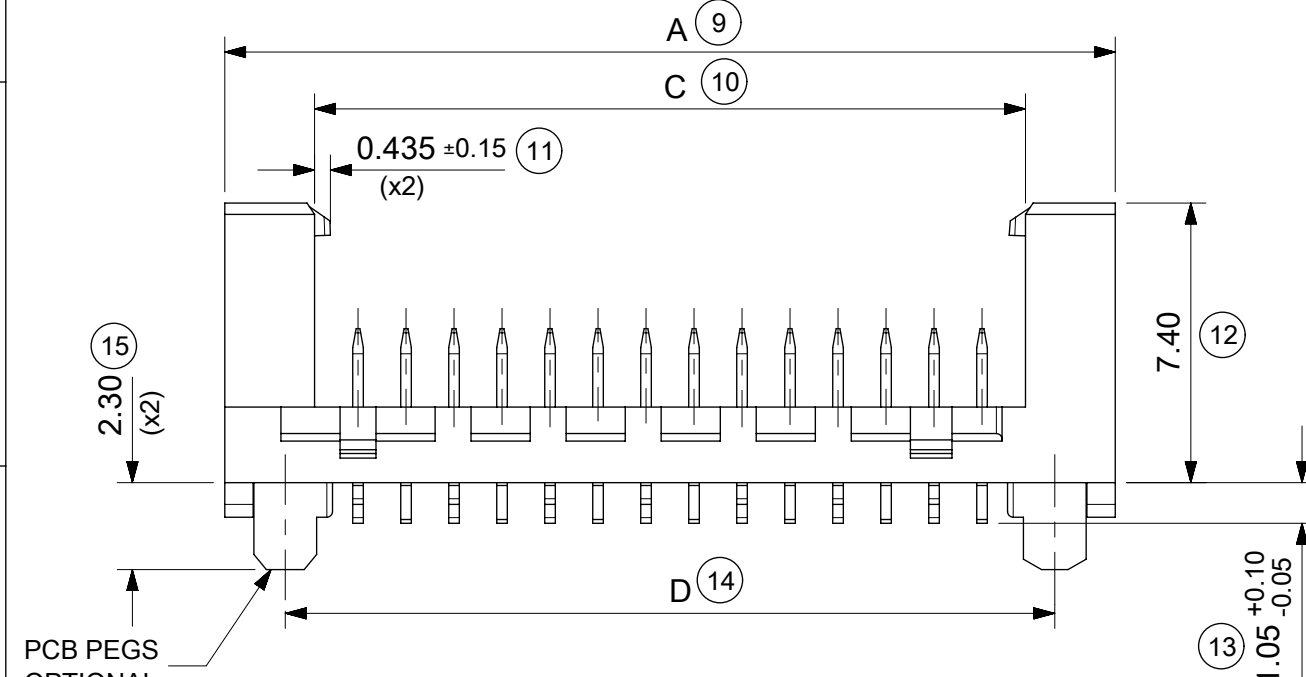


14 CIRCUIT SHOWN FOR ILLUSTRATION ONLY.



PART NO.	NUMBER OF CKTS	DIMN. A	DIMN. B	DIMN. C	DIMN. D
90816-**04	04	10.86	3.81	6.11	7.66
90816-**06	06	13.40	6.35	8.65	10.20
90816-**08	08	15.94	8.89	11.19	12.74
90816-**10	10	18.48	11.43	13.73	15.28
90816-**12	12	21.02	13.97	16.27	17.82
90816-**14	14	23.56	16.51	18.81	20.36
90816-**16	16	26.10	19.05	21.35	22.90
90816-**18	18	28.64	21.59	23.89	25.44
90816-**20	20	31.18	24.13	26.43	27.98
90816-**22	22	33.72	26.67	28.97	30.52
90816-**24	24	36.26	29.21	31.51	33.06
90816-**26	26	38.80	31.75	34.05	35.60

SEE NOTE-7

- NOTES:
- MATERIAL
HOUSING: PPA, GLASS-FILLED, COLOUR: BLACK, UL 94-HB.
TERMINAL: BRASS
 - FINISHES: TERMINAL
Gold : UNDERPLATED 1.27µm MIN NICKEL
3-5µm TIN SELECTIVE
0.76µm MIN. SELECTIVE GOLD
TIN: 3 MICROMETRE MINIMUM OVER NICKEL UNDERPLATE.
 - PRODUCT SPECIFICATION: PS-99020-0011
 - PACKAGING SPECIFICATION: FOR TAPE AND REEL SEE: PK-90816-006
FOR TUBE SEE: PK-90816-007
 - MATES WITH MOLEX 90327 PART SERIES.
 - ALL SMT TAILS TO LIE WITHIN A COPLANARITY BAND OF 0 - 0.10 MICROMETRE REF. FROM EACH OTHER.
 - 4 CIRCUIT PART NOT AVAILABLE IN TAPE AND REEL.
- LAST INSPECTION NUMBER USED: 20

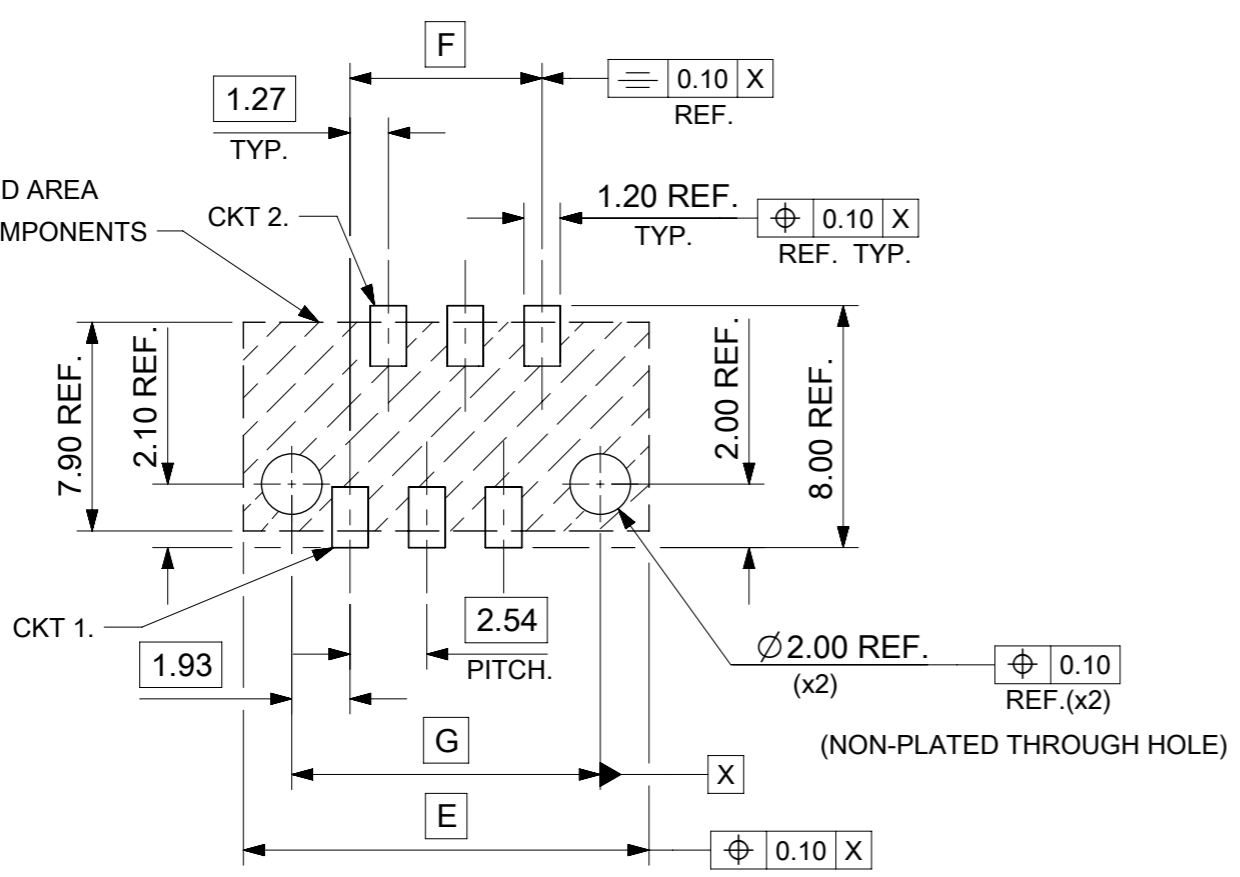
90816 - ** **

CIRCUIT SIZE.

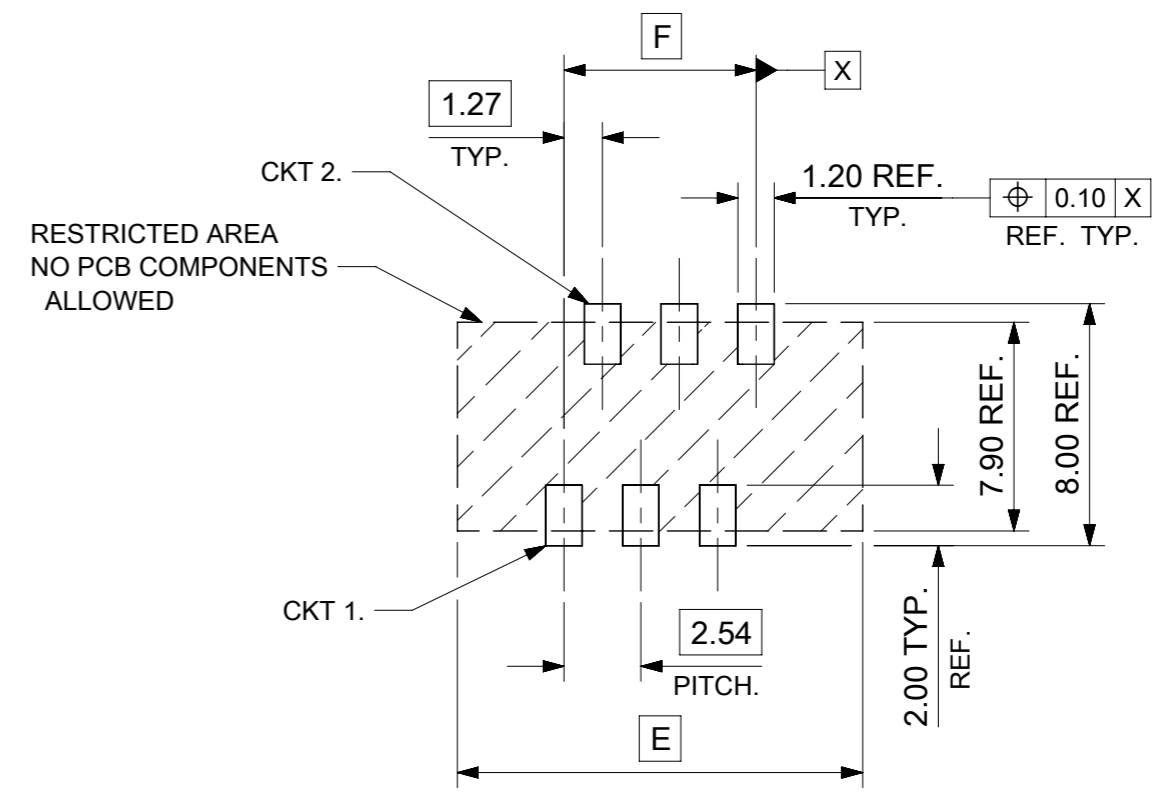
	PCB PEGS	TUBE PACKED	TAPE & REEL PACKED
0	YES	YES	NO
2	YES	NO	YES
3	NO	YES	NO
5	NO	NO	YES

0 = TIN VERSION
3 = 0.76µm GOLD PLATING

THIS DRAWING CONTAINS INFORMATION THAT IS PROPRIETARY TO MOLEX ELECTRONIC TECHNOLOGIES, LLC AND SHOULD NOT BE USED WITHOUT WRITTEN PERMISSION											
FUNCTIONAL SYMBOLS	DIMENSION UNITS	SCALE	CURRENT REV DESC: CAD MIGRATION								
$\nabla = 0$	mm	5:1	<div style="text-align: center;">molex</div> PICOFLEX SMT LATCHED HEADER PRODUCT CUSTOMER DRAWING SD-90816-001 PS-99020-0011								
$\nabla = 0$	GENERAL TOLERANCES (UNLESS SPECIFIED)										
$\nabla = 0$	ANGULAR TOL ± 2.0°										
$\nabla = 0$	4 PLACES ±										
DIVISIONAL SYMBOLS	3 PLACES ±	2 PLACES ± 0.25	EC NO: 738955	2023/02/02	DRWN: GOWTHP	2023/02/16	CHK'D: GOWTHP	2023/02/20	APPR: ISHWARG	INITIAL REVISION:	2008/08/16
	1 PLACE ± 0.35	0 PLACES ±	DRWN: DBYRNES	2010/11/04	APPR: EFOLAN						
DRAFT WHERE APPLICABLE MUST REMAIN WITHIN DIMENSIONS			THIRD ANGLE PROJECTION	DRAWING	SERIES	MATERIAL NUMBER	CUSTOMER	SHEET NUMBER			
				A3	90816	SEE CHART	GENERAL MARKET	1 OF 2			



RECOMMENDED PCB THICKNESS 1.60±0.14
 PCB LAYOUT FOR CLEARANCE FIT WITH PCB PEGS
 HEADER VERSIONS 90816-*0**/*2**
 VIEWED FROM COMPONENT SIDE
 6CKT PART SHOWN FOR REFERENCE



PCB LAYOUT WITHOUT PCB PEGS
 HEADER VERSIONS 90816-*3**/*5**
 VIEWED FROM COMPONENT SIDE
 6CKT PART SHOWN FOR REFERENCE

90816-**26	26	38.80	31.75	35.60
90816-**24	24	36.26	29.21	33.06
90816-**22	22	33.72	26.67	30.52
90816-**20	20	31.18	24.13	27.98
90816-**18	18	28.64	21.59	25.44
90816-**16	16	26.10	19.05	22.90
90816-**14	14	23.56	16.51	20.36
90816-**12	12	21.02	13.97	17.82
90816-**10	10	18.48	11.43	15.28
90816-**08	8	15.94	8.89	12.74
90816-**06	6	13.40	6.35	10.20
90816-**04	4	10.86	3.81	7.66
PART NO.	NUMBER OF CKTS	DIM. E	DIM. F	DIM. G

DOCUMENT STATUS P1 RELEASE DATE 2023/02/20 05:04:35

FUNCTIONAL SYMBOLS	THIS DRAWING CONTAINS INFORMATION THAT IS PROPRIETARY TO MOLEX ELECTRONIC TECHNOLOGIES, LLC AND SHOULD NOT BE USED WITHOUT WRITTEN PERMISSION	CURRENT REV DESC: CAD MIGRATION		
	DIMENSION UNITS: mm SCALE: 5:1 GENERAL TOLERANCES (UNLESS SPECIFIED): ANGULAR TOL ± 2.0° 4 PLACES ± 3 PLACES ± 2 PLACES ± 0.25 1 PLACE ± 0.35 0 PLACES ±	EC NO: 738955 DRWN: GOWTHP CHK'D: GOWTHP APPR: ISHWARG INITIAL REVISION: DRWN: DBYRNES APPR: EFOLAN		
DIVISIONAL SYMBOLS	DRAFT WHERE APPLICABLE MUST REMAIN WITHIN DIMENSIONS		THIRD ANGLE PROJECTION	DRAWING: A3-SIZE SERIES: 90816
	MATERIAL NUMBER: SEE SHEET 1 CUSTOMER: GENERAL MARKET		DOCUMENT NUMBER: SD-90816-001 DOC TYPE: PSD DOC PART: 001 REVISION: G1	SHEET NUMBER: 2 OF 2