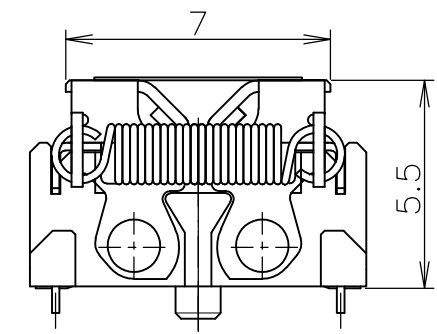
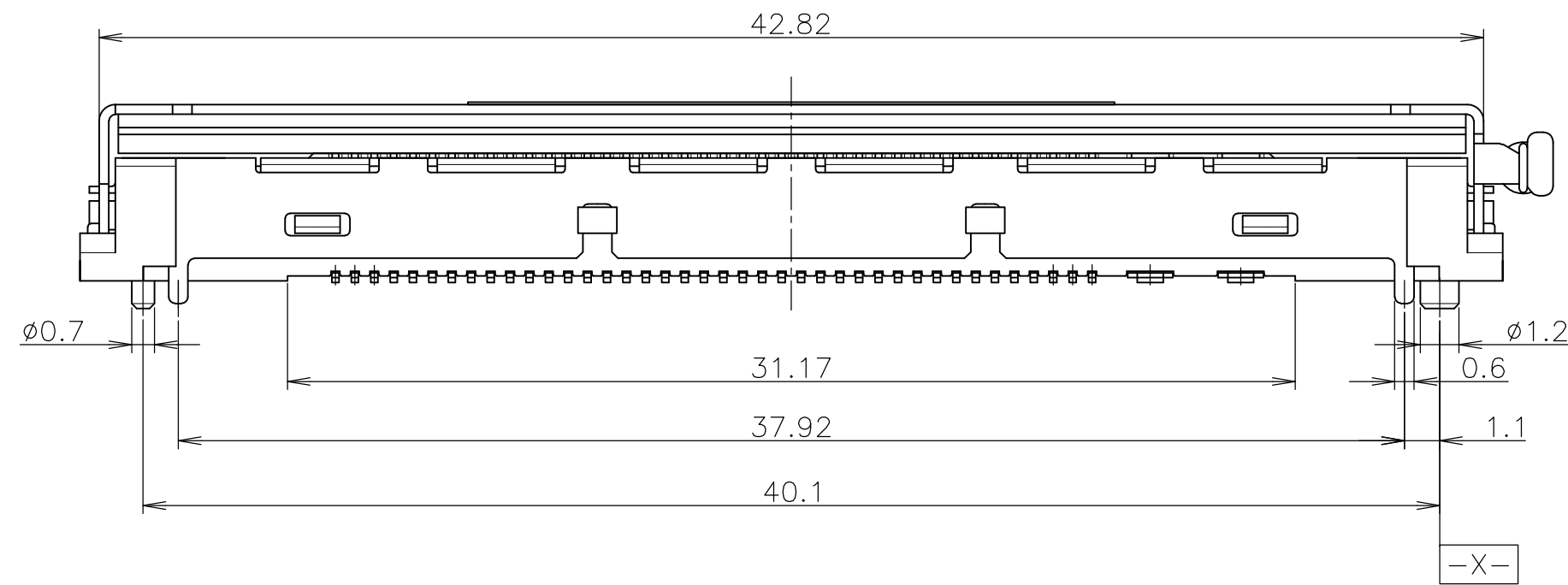
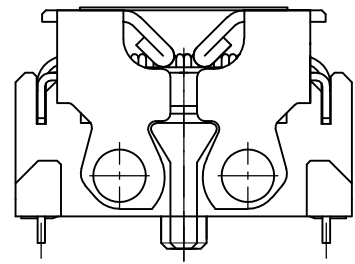
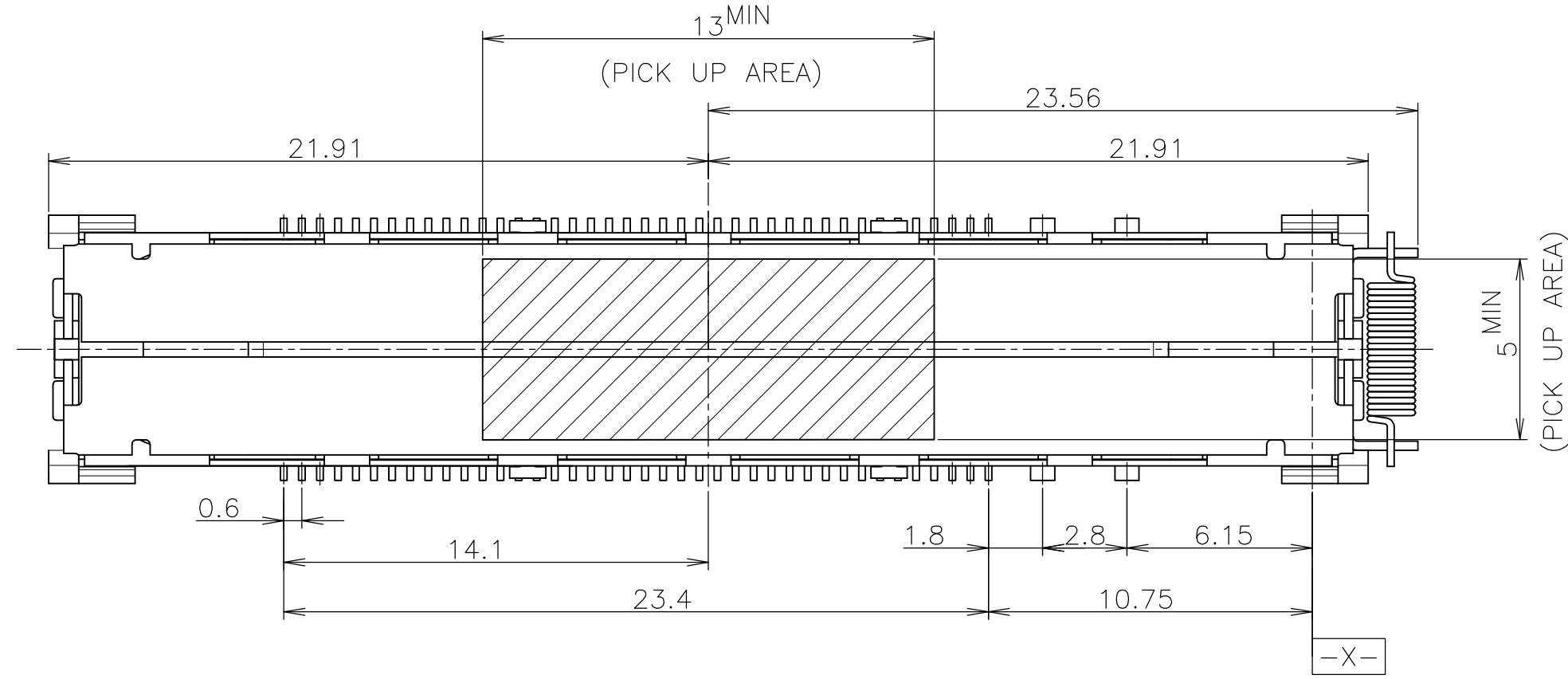
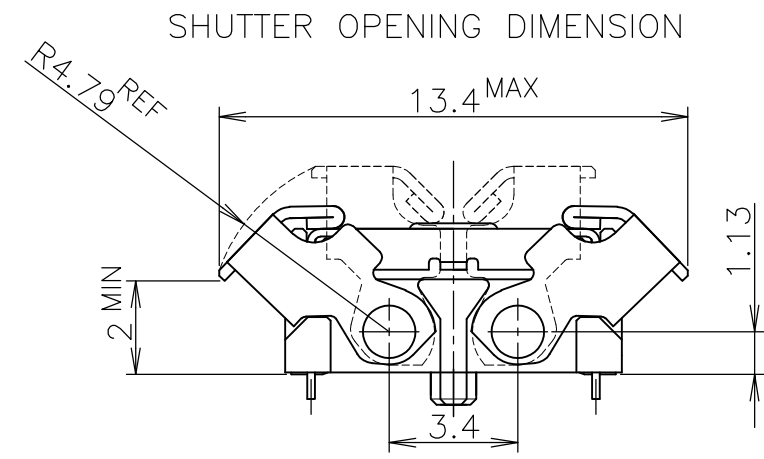


THIS DRAWING IS UNPUBLISHED. RELEASED FOR PUBLICATION AUG, 2004.
 © COPYRIGHT 2004 By Tyco Electronics Japan G.K. ALL RIGHTS RESERVED.

LOC	DIST	REVISED			DATE	DWN	APVD
J		P	LTR	DESCRIPTION			
		E		REVISD ECR-16-011203	11NOV2016	A.X	H.W

-3 ; AS SHOWN



- △ MATERIAL
 HOUSING, TINE PLATE: THERMOPLASTIC, UL94V-0, BLACK
 SIGNAL CONTACT: COPPER ALLOY
 POWER CONTACT: COPPER ALLOY
 GROUND PLATE : COPPER ALLOY
 SHUTTER COVER, SPRING: STAINLESS STEEL
- △ FINISH
 SIGNAL CONTACT & POWER CONTACT:
 Au PL. ON CONTACT AREA
 TIN PL. ON SOLDER AREA
 Ni UNDER PL. ALL OVER
 GROUND PLATE:
 6674154-1 TIN PL.(MATTE) / Ni UNDER PL.
 6674154-3 SELECTIVE TIN PL. (REFLOW) / Ni UNDER PL.
 SHUTTER COVER: BLACK Ni PL.
- 3 APPLICABLE THICKNESS OF P.C.BOARD: 1.2±0.1mm
- 4 CONNECTOR TO BE MATED: 6674147-1
- 5 TRAY MATERIAL; PS COLOR; NATURAL
- 6 THE DIRECTION OF EACH CONNECTOR ON A TRAY IS REFERRED TO THIS DRAWING.
- 7 GENERAL TOLERANCE: ±0.3 ±3'
- 8 QUANTITY: 50EA/TRAY

- △ 材質
 ハウジング: 熱可塑性樹脂 UL94V-0, 黒
 シグナルコンタクト: 銅合金
 パワーコンタクト: 銅合金
 グランドプレート: 銅合金
 シャッターカバー、スプリング: ステンレス鋼
- △ 仕上げ
 シグナルコンタクト & パワーコンタクト:
 ニッケル下地接点部金めっき、はんだ付け部すずめっき
 グランドプレート:
 6674154-1 無光沢すずめっき / ニッケル下地めっき
 6674154-3 部分すずめっき (リフロー) / ニッケル下地めっき
 シャッターカバー: 黒色ニッケルめっき
- 3 適用基板厚: 1.2±0.1mm
- 4 かん合相手型番: 6674147-1
- 5 トレイ 材質; PS 色; NATURAL
- 6 トレイの寸法とコネクタの方向は本図を参照のこと
- 7 一般公差: ±0.3 ±3'
- 8 数量: 50EA/TRAY

OBSOLETE

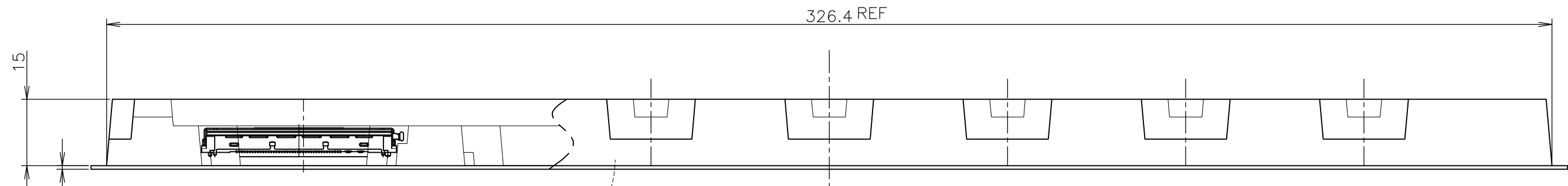
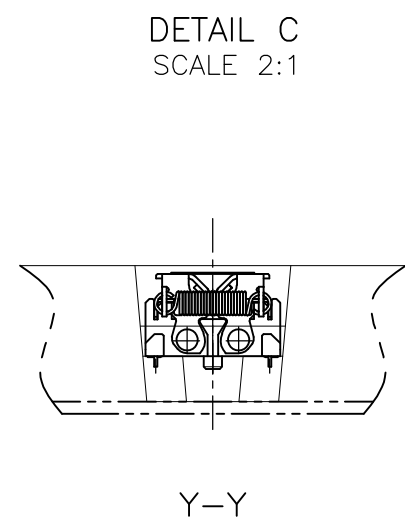
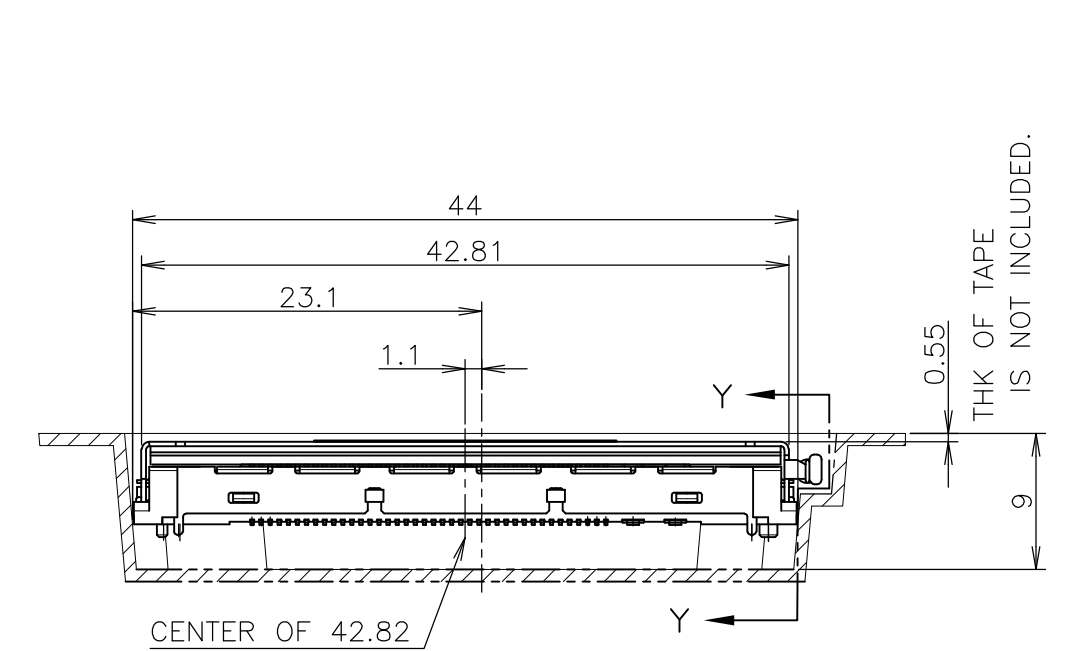
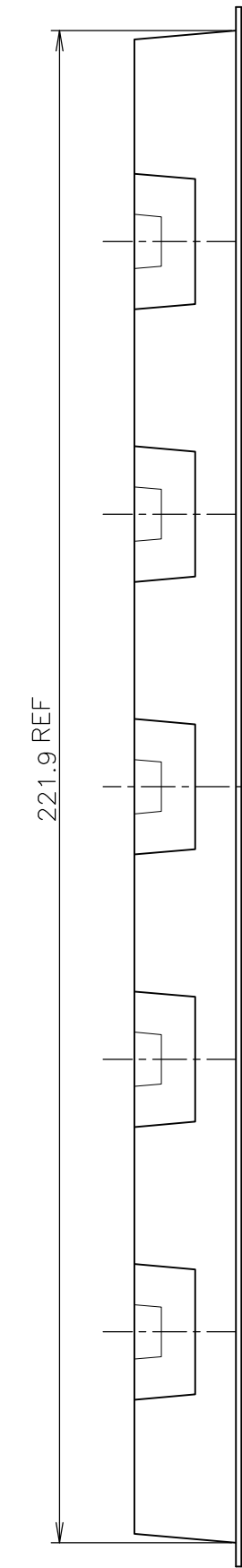
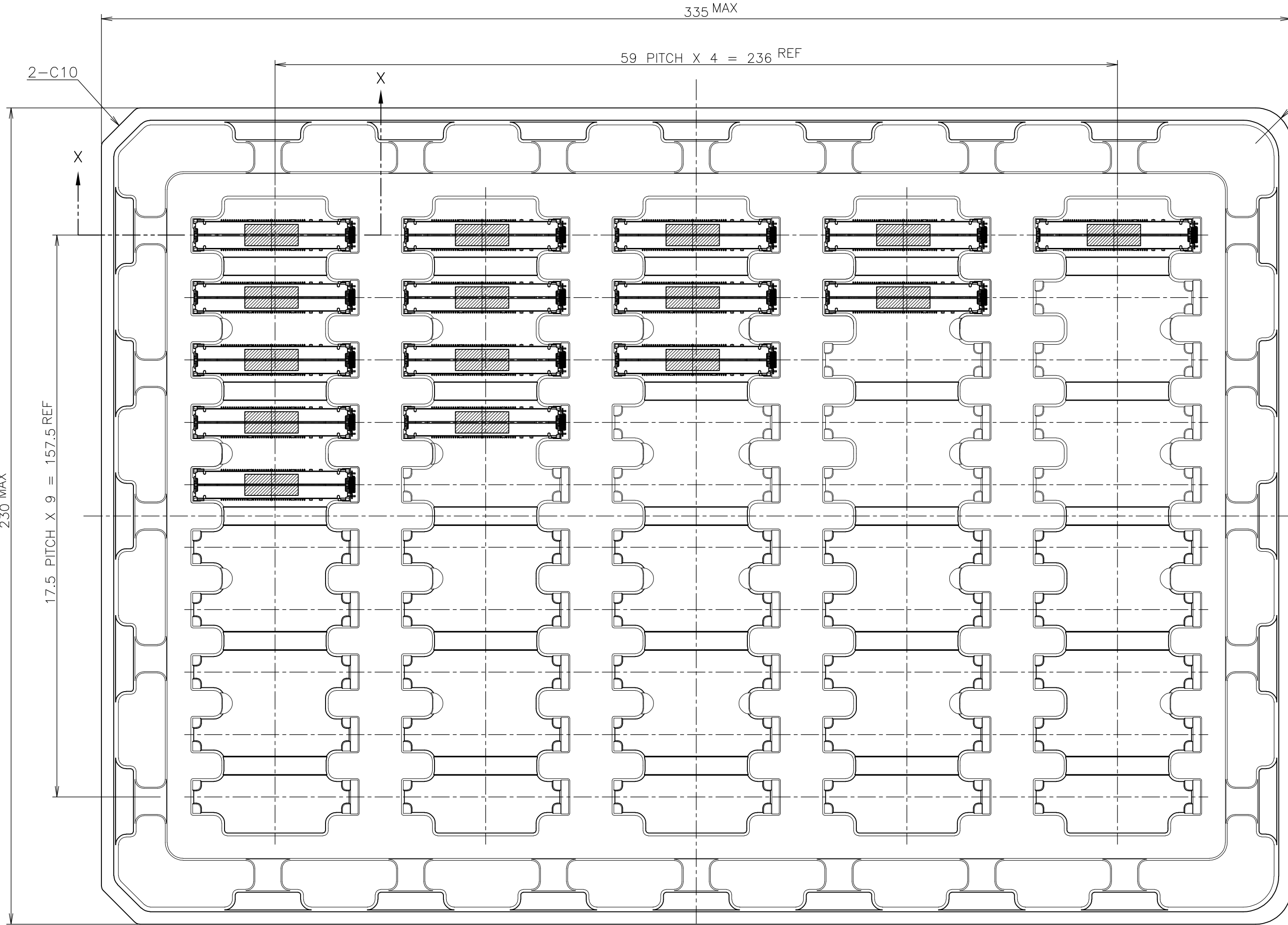
BLACK	SELECTIVE TIN-PLATED (REFLOW)	6674154-3
BLACK	TIN-PLATED (MATTE)	6674154-1
SHUTTER COLOR	GROUND PLATE FINISH	PARTS NUMBER

THIS DRAWING IS A CONTROLLED DOCUMENT.		DWN	30AUG2004		TE Connectivity
DIMENSIONS: 単位: 概 mm		CHK	30AUG2004		
TOLERANCES UNLESS OTHERWISE SPECIFIED: 一般公差		APVD	09OCT2004		
0 PLC ± 1 PLC ± 2 PLC ± 3 PLC ± 4 PLC ± ANGLES ±		NAME	S.KAJINUMA		
MATERIAL 材料	FINISH 仕上	PRODUCT SPEC	Y.YAMAMOTO	0.6 DOCKING CONNECTOR W/SHUTTER PLUG 80P + POWER 4P	
		APPLICATION SPEC	108-78253	SIZE	A2
		取付適用規格		CAGE CODE	00779
		WEIGHT	3.0g	DRAWING NO	C=6674154
		CUSTOMER DRAWING		RESTRICTED TO	
		SCALE	5:1	SHEET	1 of 3
		REV	E		

THIS DRAWING IS UNPUBLISHED. RELEASED FOR PUBLICATION AUG, 2004.
 © COPYRIGHT 2004 By Tyco Electronics Japan G.K. ALL RIGHTS RESERVED.

LOC	DIST	REVISIONS			DATE	DWN	APVD
J		P	LTR	DESCRIPTION			
		-		SEE SHEET 1	-	-	-

SEMI HARD TRAY ASSY



THIS DRAWING IS A CONTROLLED DOCUMENT.		DWN	TE TE Connectivity
DIMENSIONS: 單位: 毫米 mm		CHK	
TOLERANCES UNLESS OTHERWISE SPECIFIED 一般公差		APVD	NAME 名称
0 PLC ±	1 PLC ±	PRODUCT SPEC 製品規格	0.6 DOCKING CONNECTOR W/SHUTTER
2 PLC ±	3 PLC ±	APPLICATION SPEC 取付適用規格	PLUG 80P + POWER 4P
4 PLC ±	ANGLES ±	WEIGHT	SIZE A2
FINISH 仕上		CUSTOMER DRAWING	CAGE CODE 00779
			DRAWING NO. 番号 C=6674154
			RESTRICTED TO
			SCALE 尺度 1:1
			SHEET 2 OF 3
			REV E

