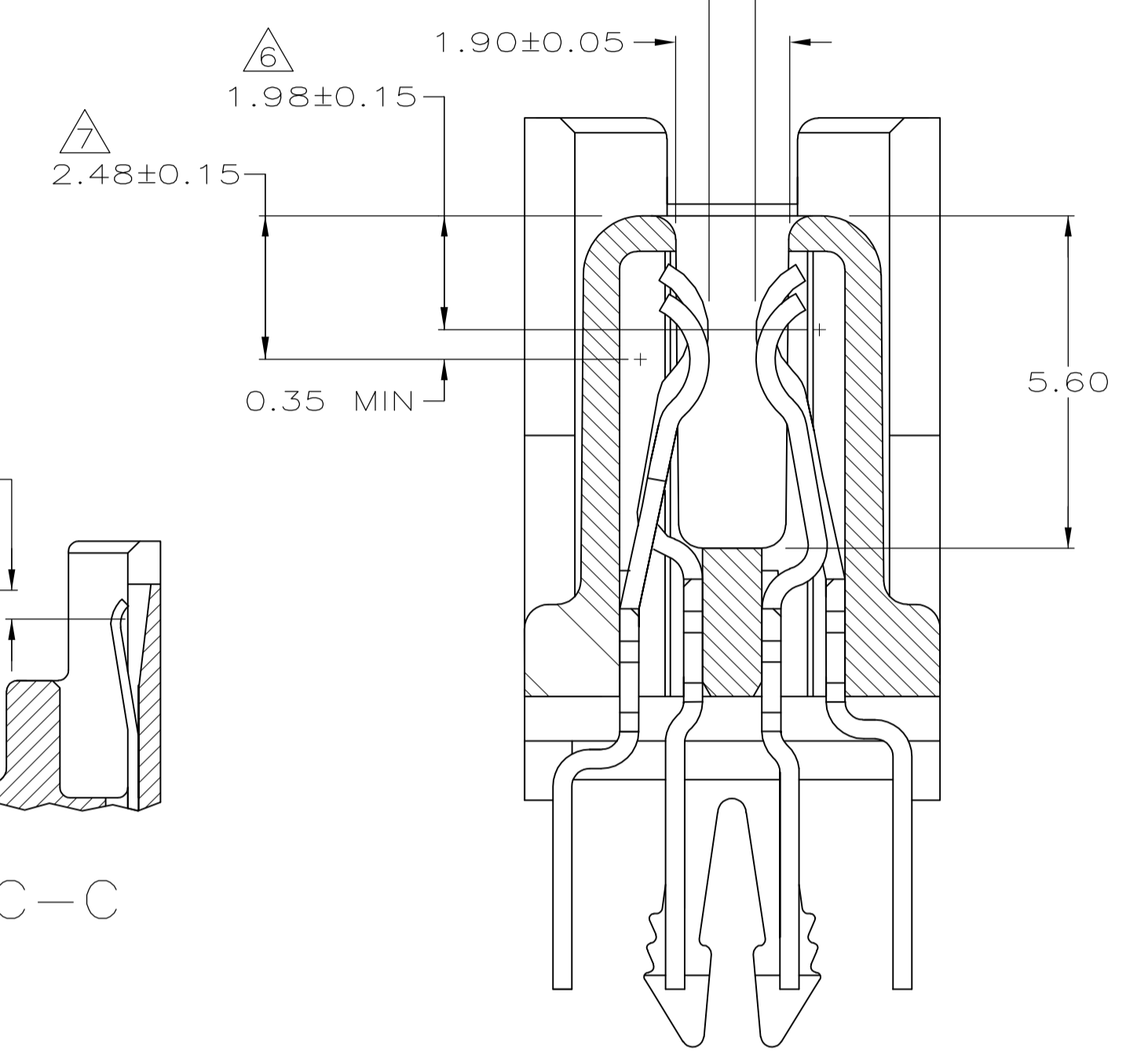
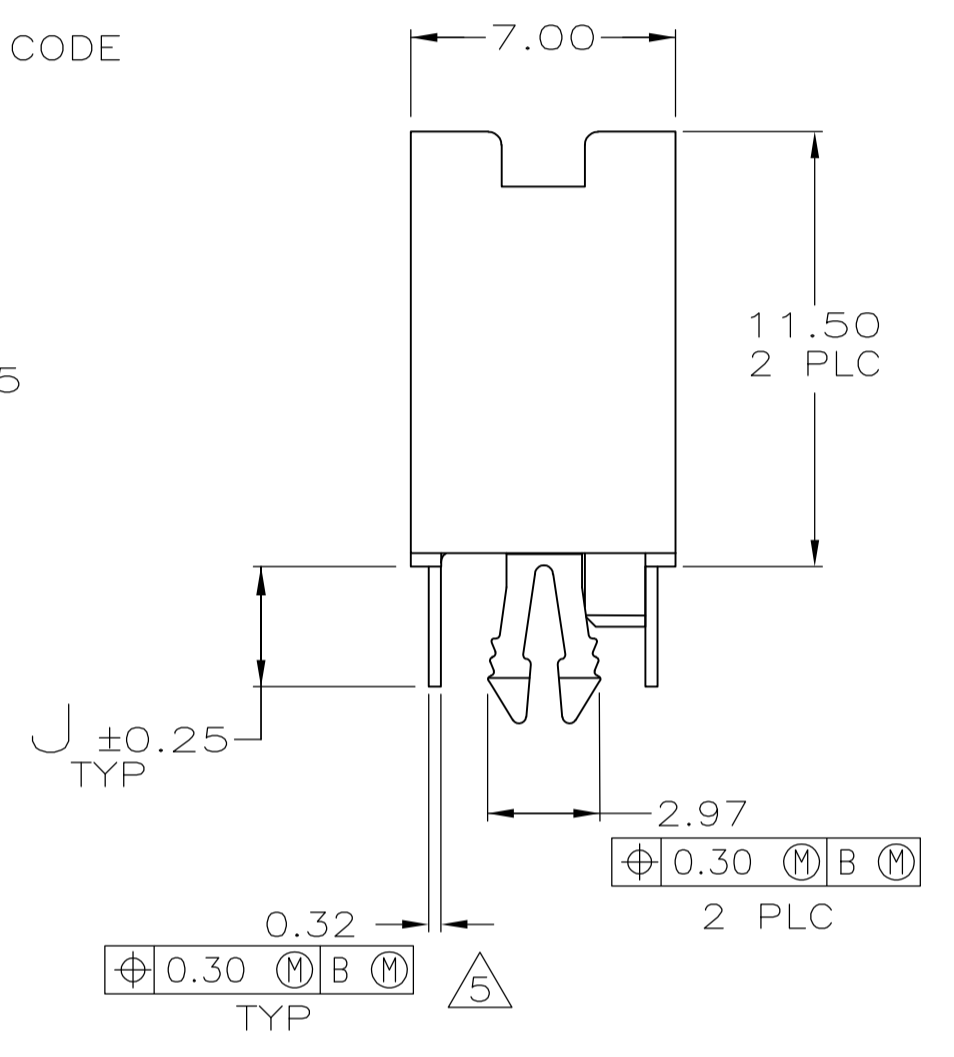
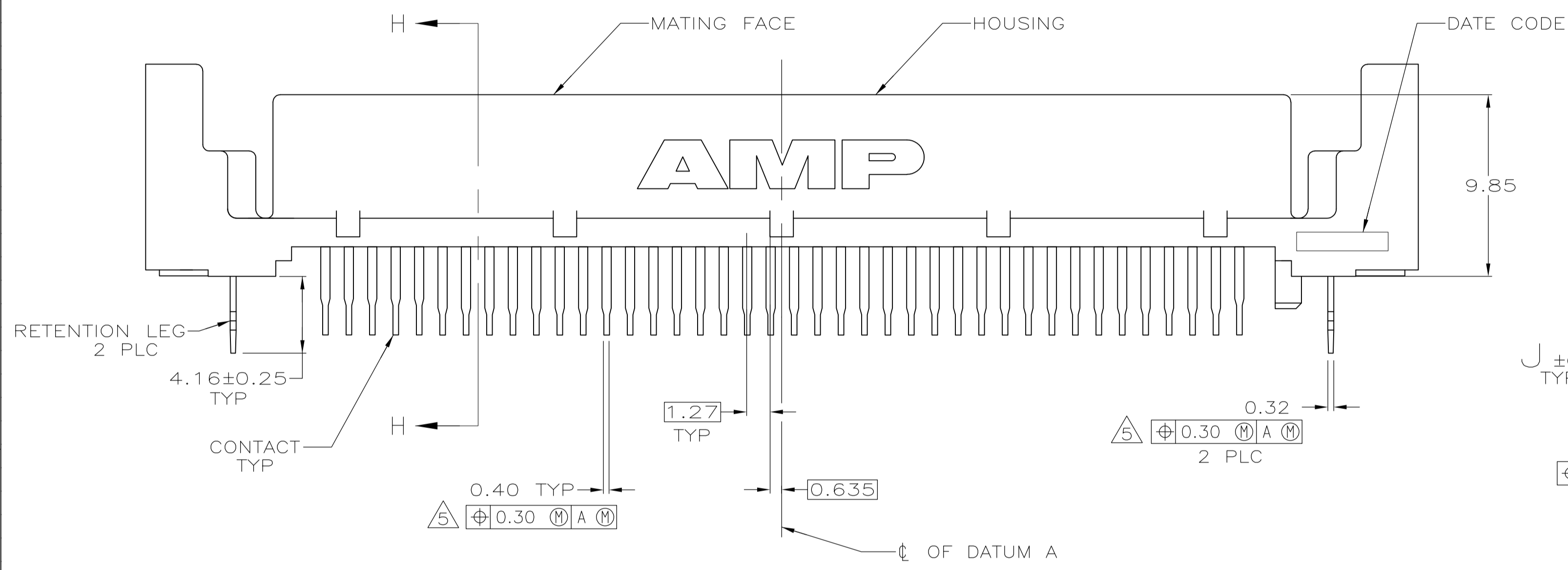


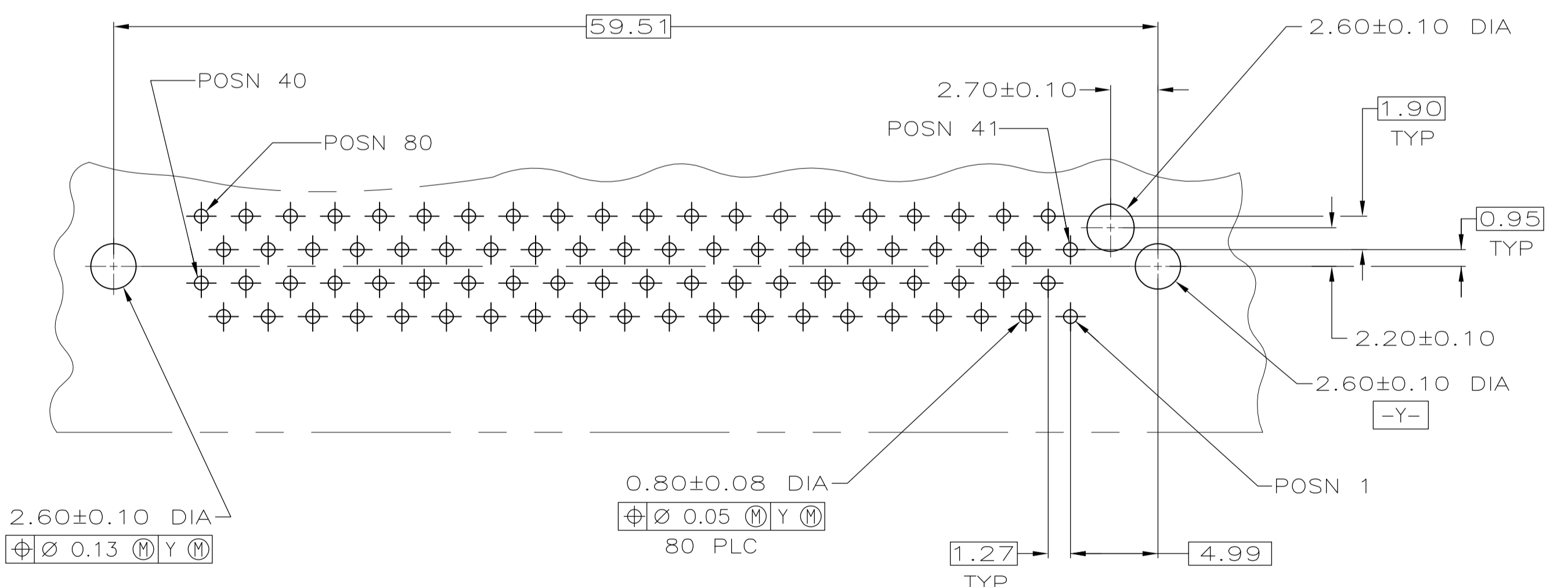
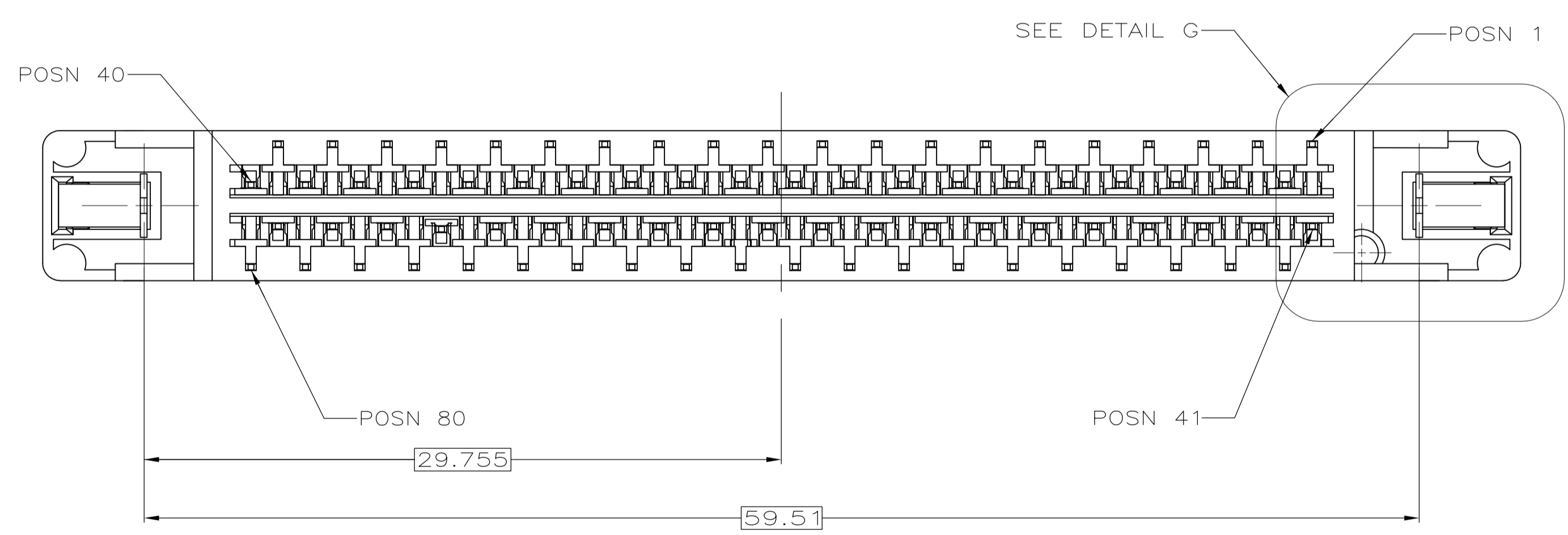
DETAIL G
SCALE 10:1



SECTION H-H
SCALE 10:1



SECTION C-C



RECOMMENDED PC BOARD
MOUNTING DIMENSIONS
COMPONENT SIDE
SCALE 4:1

- ① HOUSING: LCP, UL 94V-0 RATED, BLACK.
CONTACTS: PHOSPHOR BRONZE.
RETENTION LEG: BRASS.
- ② CONTACTS: 0.76µm GOLD FOR A LENGTH 1.20 MIN STARTING 0.50 MAX FROM MATING END,
3.81µm MIN TIN-LEAD FOR A LENGTH OF 3.43 MIN FROM OPPOSITE END, BOTH OVER
1.27µm MIN NICKEL.
- ③ RETENTION LEG: 3.81µm MIN TIN-LEAD OVER 1.27µm MIN NICKEL.
- ④ CONNECTOR WILL ACCOMMODATE MATING PRINTED CIRCUIT BOARD OF 1.60±0.07 THICKNESS.
- ⑤ POSITION TOLERANCE APPLIES AT CONTACT TIP ONLY.
- ⑥ CONTACTS 1, 36 THRU 40, 41 THRU 43, 45, 46 AND 75 THRU 80 ARE POSITIONED TOWARD THE MATING FACE. (FIRST MATE)
- ⑦ CONTACTS 2 THRU 35, 44, AND 47 THRU 74 ARE POSITIONED AWAY FROM THE MATING FACE. (SECOND MATE)
- ⑧ CONTACTS: 0.76µm GOLD FOR A LENGTH 1.20 MIN STARTING 0.50 MAX FROM MATING END,
3.81µm MIN TIN-LEAD FOR A LENGTH OF 3.43 MIN FROM OPPOSITE END, BOTH OVER
1.27µm MIN NICKEL.
- ⑨ RETENTION LEG: 3.81µm MIN HALT TIN OVER 1.27µm MIN NICKEL.
- ⑩ OBSOLETE PARTS: OBSOLETE CIS STREAMLINING PER D.RENAUD/D.SINISI

SUPERCEDED BY 787311-5	⑧ ⑨	4.57	80	787311-5
	⑧ ⑨	3.18	80	787311-4
	② ③	4.57	80	787311-3
	② ③	3.18	80	787311-2
OBSOLETE	② ③	3.18	80	787311-2
OBSOLETE	② ③	3.18	80	787311-1
FINISH	J	POSN	PART NUMBER	

THIS DRAWING IS A CONTROLLED DOCUMENT.		DIN C.DORWART 06/06/95		TE Connectivity	
DIMENSIONS: mm		CHK R.STONE 06/16/95			
TOLERANCES UNLESS OTHERWISE SPECIFIED:		APVD M.RUPERT 06/16/95		NAME	
0 PLC ± -		PRODUCT SPEC		108-1548	
1 PLC ± 0.10		APPLICATION SPEC		114-6061	
2 PLC ± 0.10		WEIGHT		A1 00779	
3 PLC ± 0.10		CUSTOMER DRAWING		SCALE 5:1 SHEET 1 OF 1 REV P	
4 PLC ± -					
ANGLES ± -					
MATERIAL ①		SEE TABLE			