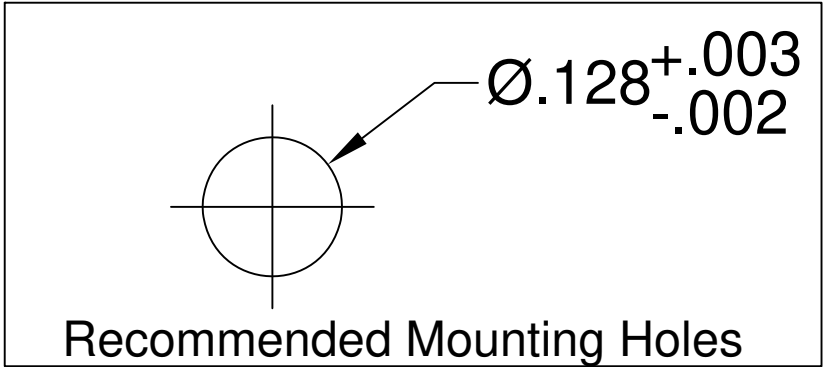
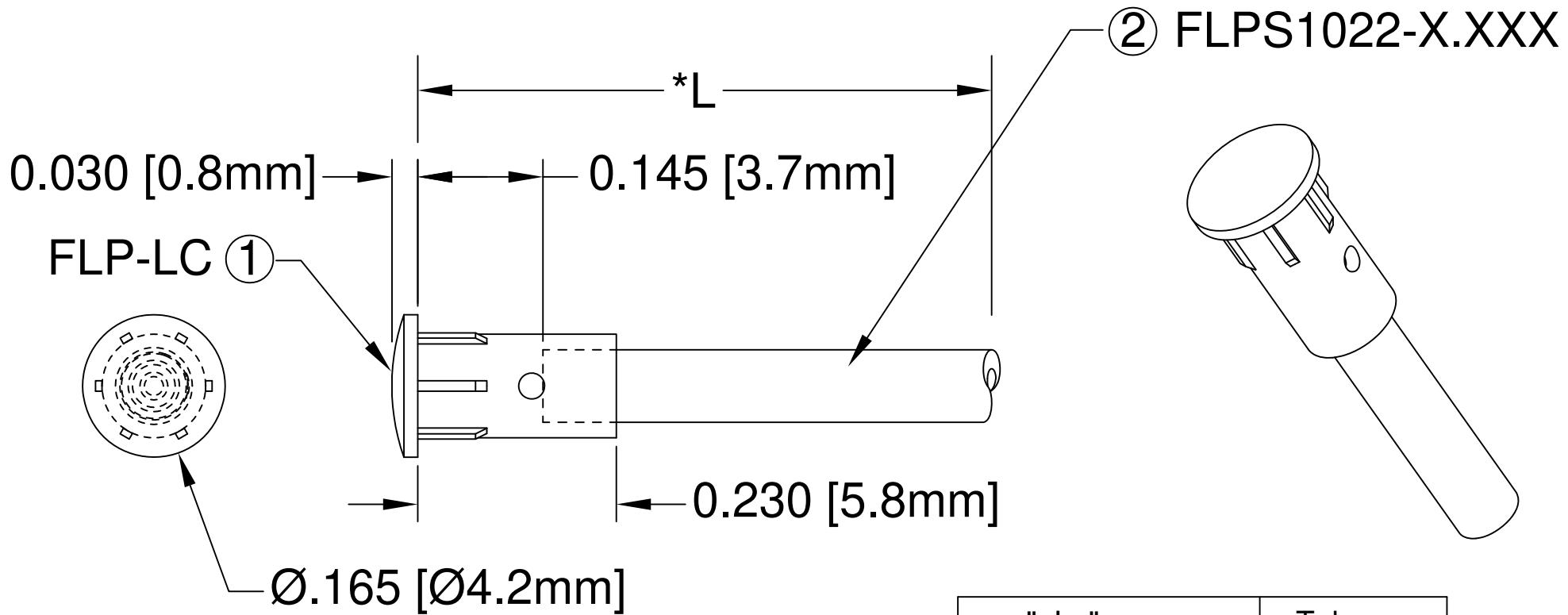


ITEM	Q'TY	PART NUMBER	PART DESCRIPTION
1	1	FLP-LC	HOLDER CAP, FLEXIBLE LIGHT-PIPE
2	1	FLPS1022-X.XXX	LIGHT PIPE CABLE, CUT LENGTH IN INCHES

REV.	DESCRIPTION	DATE	APPROVED
H	FLP Length Update	10/18/05	M. C.
J	FLP Length Clarification	01/11/06	M. C.
K	Corrected "L" Dimension Measurement	07/25/07	M. C.
M	Updated Fiber In BOM	11/14/12	T. Y.
N	Added Note 2	10/06/16	J. C.



" L "	Tolerance
0.750" ~ 16.000"	±0.050"
16.100" ~ 40.000"	±0.150"
40.100" ~ 80.000"	±0.300"
80.100" ~ 3,940.0"	±0.5%

NOTE:
 1. ALLOWABLE CUT LENGTH IS UP TO 3 DECIMAL PLACES.
 2. MINIMUM BEND RADIUS OF FLEXIBLE LIGHT PIPE: 0.87" [22mm].

STANDARD TOLERANCE (UNLESS OTHERWISE SPECIFIED)		 4 THOMAS, IRVINE, CA. 92618 TEL: (949) 951-8808 FAX: (949) 951-3974	
DECIMALS	ANGULAR		
.X ±.1	X° ±1°	TITLE: LENS CAP / FLP ASSEMBLY, 4mm ROUND	
.XX ±.02			
.XXX ±.010		PART NO: LC-XX.X REVISION: N	
DESIGNED: S. Irving DATE: 05/22/02			
CHECKED: M. Chen DATE: 05/22/02		CAGE CODE : 32559 SHEET # 1 OF 1	
CAD GENERATED DOCUMENT. DO NOT MEASURE DRAWING.			