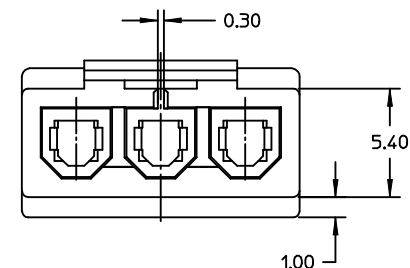
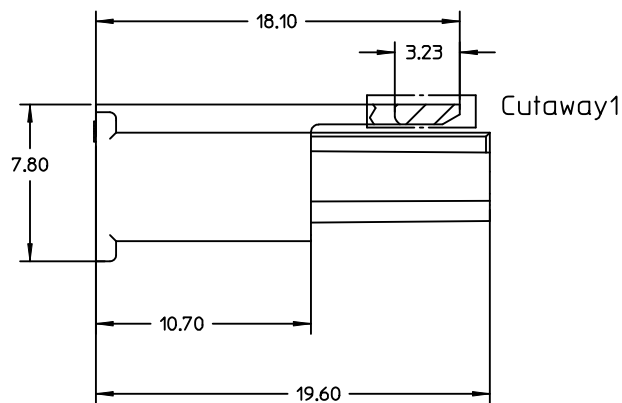
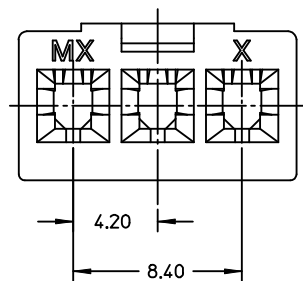
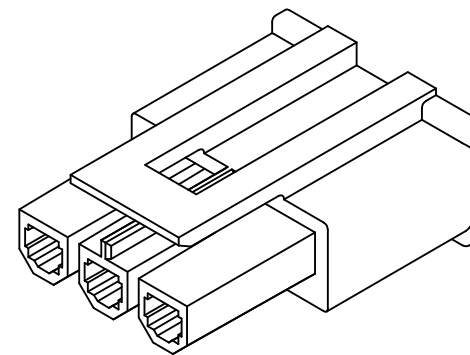
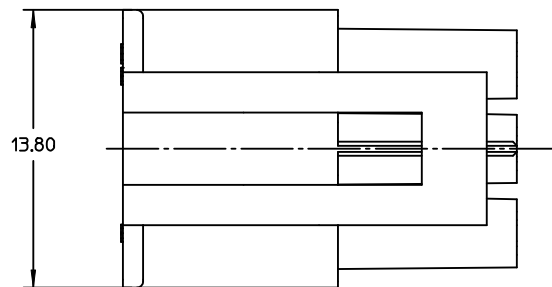


NOTES:  
 1.MATERIAL:  
 HOUSING:POLYIMIDE,UL94V-0,COLOR:LAVENDER  
 2.FINISH:N/A  
 3.PRODUCT SPECIFICATION:PS-67968-001  
 4.MATE WITH 67968-0001 HEADER  
 5.USES MOLEX 5556 FEMALE TERMINAL



REVISE EC NO: SH2010-0059 DRWN:XJSONG 2009/08/18 CHKD:XJSONG 2009/08/19 APPR:RZHANG 2009/09/28	QUALITY SYMBOLS ▽=0 ◻=0	GENERAL TOLERANCES (UNLESS SPECIFIED)		DIMENSION STYLE MM ONLY		SCALE 3:1	DESIGN UNITS METRIC	THIRD ANGLE PROJECTION		
			mm	INCH	DRAWN BY	DATE	TITLE			
		4 PLACES	± ---	± ---	AYIN	2003/02/17	SHROUDED HOUSING FOR 3CKT MINIFIT CONN.			
		3 PLACES	± ---	± ---	CHECKED BY	DATE	MOLEX INCORPORATED			
	2 PLACES	± 0.25	± ---	JLU	2003/02/17	DOCUMENT NO.				
	1 PLACE	± ---	± ---	APPROVED BY	DATE	SHEET NO.				
	ANGULAR ± 1 °		SHUANG		2003/02/17	1 OF 1				
	DRAFT WHERE APPLICABLE MUST REMAIN WITHIN DIMENSIONS		MATERIAL NO.		67969-0001		SD-67969-001			
A1			SIZE		THIS DRAWING CONTAINS INFORMATION THAT IS PROPRIETARY TO MOLEX INCORPORATED AND SHOULD NOT BE USED WITHOUT WRITTEN PERMISSION					
			A3							