

ITEM	PART#	DESCRIPTION	QTY	UOM
A	9508030	KK 156 Crimp Housing 03 Ckt	1	PC
B	8500105	KK 156 TERMINAL CRIMP 18-24 AWG TIN	3	PC
C		PAPER PRINTED PAPER WHITE	1	PC

FROM	TO	DESCRIPTION	COLOR
A1	--	1X18AWG MPPE BK UL11028	BLACK
A2	--	1X18AWG MPPE BK UL11028	BLACK
A3	--	1X18AWG MPPE BK UL11028	BLACK

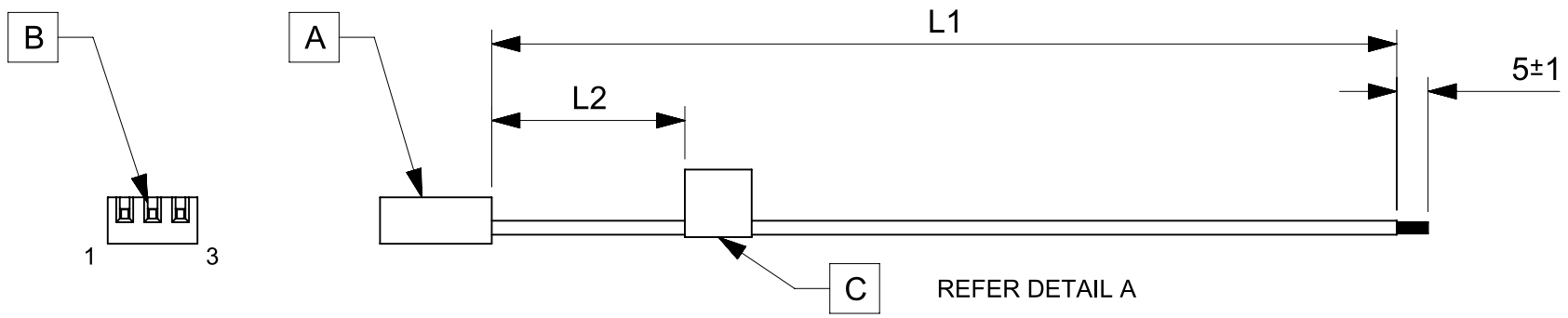


TABLE			
PART NUMBER	L1	L2 (REF)	TITLE
2196651032	150±4	50	KK 3.96 R-S 3ckt 150mm disc Sn
2196651033	300±4	50	KK 3.96 R-S 3ckt 300mm disc Sn
2196651034	600±6	50	KK 3.96 R-S 3ckt 600mm disc Sn

**NOTES**

1. Connector view shown is from mating side.
2. Label text must be 2mm max. in height with Arial font.
3. Label must be wrapped in Flag type on a single cable.
4. Free ends must be stripped, twisted & tinned. The length of tinning is 5±1mm. Tinning Dia must be 1.6 mm Max.

MOLEX P/N  
 MOLEX  
 BATCH WK/YR  
 DETAIL A

REVISION			
DATE	REV	DESCRIPTION	CHANGER
2021/12/27	A	INITIAL RELEASE	SAIKIG

FUNCTIONAL SYMBOLS $\frac{F}{A} = 0$ $\frac{F}{E} = 0$ $\frac{F}{P} = 0$ DIVISIONAL SYMBOLS	THIS DRAWING CONTAINS INFORMATION THAT IS PROPRIETARY TO MOLEX ELECTRONIC TECHNOLOGIES, LLC AND SHOULD NOT BE USED WITHOUT WRITTEN PERMISSION		DIMENSION UNITS: <b>mm</b> SCALE: <b>NTS</b>		CURRENT REV DESC:	
	GENERAL TOLERANCES (UNLESS SPECIFIED)		EC NO: 691733		<div style="font-size: 2em; font-weight: bold; margin-bottom: 10px;">molex</div> <p>SEE TABLE</p> <p>PRODUCT CUSTOMER DRAWING</p>	
	ANGULAR TOL ± °		DRWN: SAIKIG    2021/12/29			
	4 PLACES ±		CHK'D: MNARAYAN01    2022/01/19			
3 PLACES ±		APPR: MNARAYAN01    2022/01/19		INITIAL REVISION:		
2 PLACES ±		DRWN: SAIKIG    2021/12/29		DOCUMENT NUMBER: <b>2196651032</b>		
1 PLACE ±		APPR: MNARAYAN01    2022/01/19		DOC TYPE: <b>PSD</b>		
0 PLACES ±		DRAFT WHERE APPLICABLE MUST REMAIN WITHIN DIMENSIONS		DOC PART: <b>000</b>		
THIRD ANGLE PROJECTION		DRAWING: <b>A4-SIZE</b>		REVISION: <b>A</b>		
SERIES: <b>219665</b>		MATERIAL NUMBER: <b>SEE TABLE</b>		CUSTOMER: <b>GENERAL MARKET</b>		
SHEET NUMBER: <b>1 OF 1</b>						