

FWA-1011

Tabletop Network Appliance with Intel Celeron® J3455/J3355 processor Platform with 6GbE LAN Ports

NEW



Features

- Support Intel Celeron® J3455/J3355 processor
- One DDR3L 1333/1600/1867MHz SO-DIMM, up to 8GB
- Six GbE LAN ports with 1 segments LAN bypass
- One M.2 slot for storage (supports 2242/2260 module)
- Supports one fixed 2.5" SATA SSD bay
- Optional Wi-Fi and 4G LTE connectivity for flexible deployment
- Fanless heat dissipation without noise emission

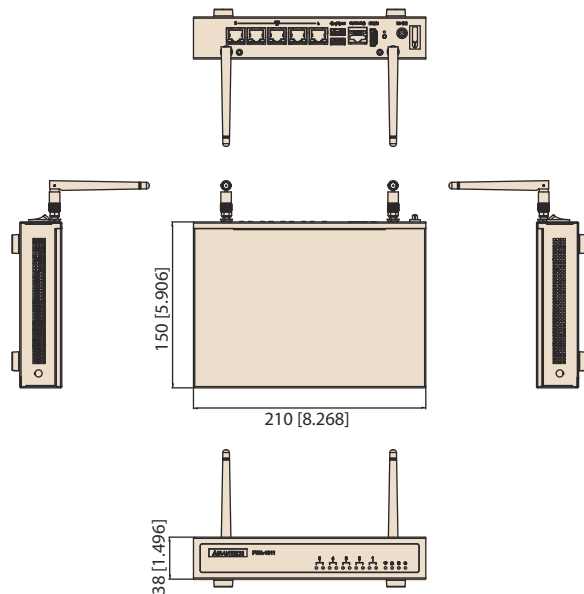


Specifications

Processor System	CPU	Intel Celeron® J3355	Intel Celeron® J3455
	Max. Speed	2.0GHz (2Cores) up to 2.5GHz	1.5GHz (4Cores) up to 2.3GHz
	L2 Cache	2MB	
	BIOS	AMI 128 Mbit SPI	
Memory	Technology	1 x DDR3L 1333/1600/1867MHz	
	Socket	1 x 204-pin SODIMM	
	Max. Capacity	8 GB	
	ECC Support	Non-ECC	
Networking	Controller	6 x Intel i211-AT (i210-AT SKU optional)	
	1GbE	6 x 10/100/1000BASE-T RJ45 port	
	LAN Bypass	1 x pair of LAN Bypass, between LAN3 and LAN4 port (SKU optional)	
Expansion	M.2 for Wi-Fi	1 x M.2 2230(E-Key, PCIE x1, SKU optional) for Wi-Fi module	
	M.2 for LTE	1 x M.2 Slot 3042 (B Key, USB3.0, combo with storage) for LTE module	
	SIM Socket	1 x Internal SIM socket	
Storage	M.2 SSD	1 x m.2 Slot 2242,2260 (B Key)	
	2.5" SSD	1 x 2.5" SSD bay	
Peripherals	Console port	1	
I/O	USB	1 x USB 3.0 and 1 x USB2.0	
	HDMI	1 x HDMI port	
	LED Indicator	1 x power LED, 1 x SATA LED, 6 x pairs of LAN LED, 1 x Wi-Fi LED (optional), 1 x LTE LED (optional)	
	Others	1 x power button, 1 x Reset button,	
TPM	TPM	TPM1.2 or TPM2.0 option	
Power	Power Type	DC	
	Watts	40W	
	Input	100 V ~ 240 V	
	Connector	DC Jack	
	Power Adaptor	DC, 12V 40W external power adaptor	
Environment	Operating Temperature (air flow 0.7 m/sec)	0 ~ 40 °C (32 ~ 104 °F)	
	Non-operating Temperature	-40 ~ 60 °C (-40 ~ 140 °F) and 40°C @5~95% RH Non-condensing	
Mechanical	Construction	Iron	
	Mounting	Tabletop	
	Dimensions (W x H x D)	210 x 38 x 150 mm (8.27" x 1.5" x 5.9")	
	Weight	1.8kg (3.96lbs)	
Advantech		QuickStart Linux Image (CentOS based reference BSP) Including LAN Bypass Utility; Afru, Intel DPDK, Wi-Fi driver, LTE driver	
Certification		CE/FCC/CB/UL/CCC (not including any Wi-Fi and LTE RF certificate)	

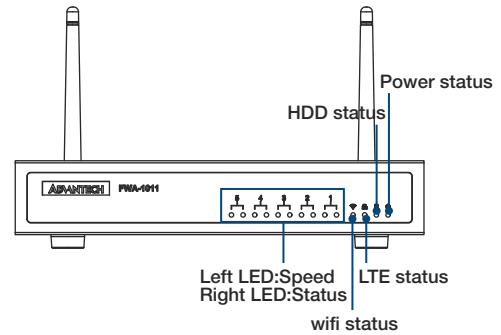
Dimensions

Unit: mm [inch]



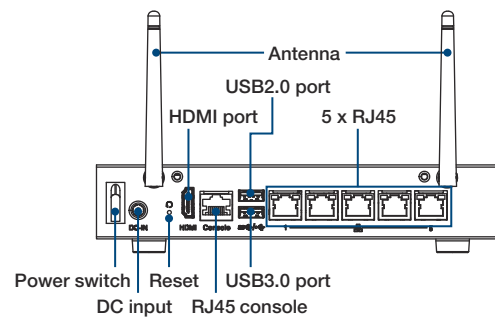
FWA-1011W

Front Panel External I/O Mechanical Layout/Drawing



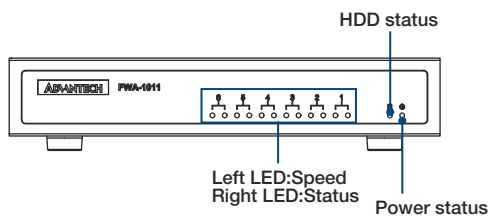
FWA-1011W

Rear Panel External I/O Mechanical Layout/Drawing



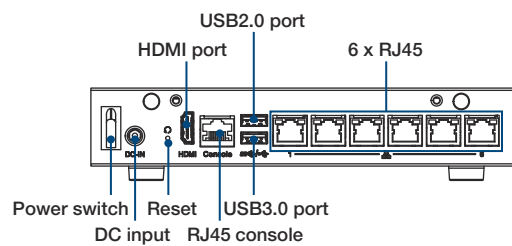
FWA-1011F

Front Panel External I/O Mechanical Layout/Drawing



FWA-1011F

Rear Panel External I/O Mechanical Layout/Drawing



Ordering Information

Part Number	Processor	DDR3L	RJ45 LAN Port	Console	M.2 SSD	M.2 Wi-Fi	Bypass	PSU	Cooling
FWA-1011F-4C00E	Intel Celeron® J3455	1	6	1	1	NA	1 x bypass	DC12V 40W	Fanless
FWA-1011W-2C00E	Intel Celeron® J3355	1	5	1	1	1	NA	DC12V 40W	Fanless

Packing List

Part Number	Description
96PSA-A40W12V3-1	ADP A/D 100-240V 40W 12V C14 DC PLUG 180°
1700020691-01	Console cable D-sub 9-pin 2 m

Accessories

Part Number	Description
1702002600	3P 180 cm, USA
1702002605	3P 180 cm, Europe
1702031801	3P 180 cm, UK
1700000237	3P 180 cm, JP
1700009652	3P 180 cm, China