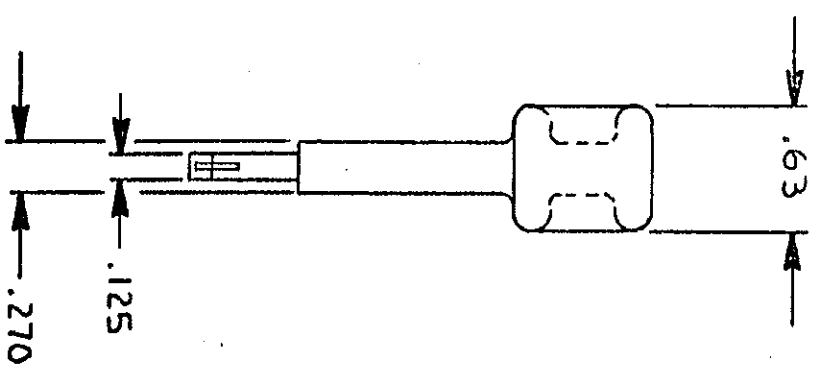
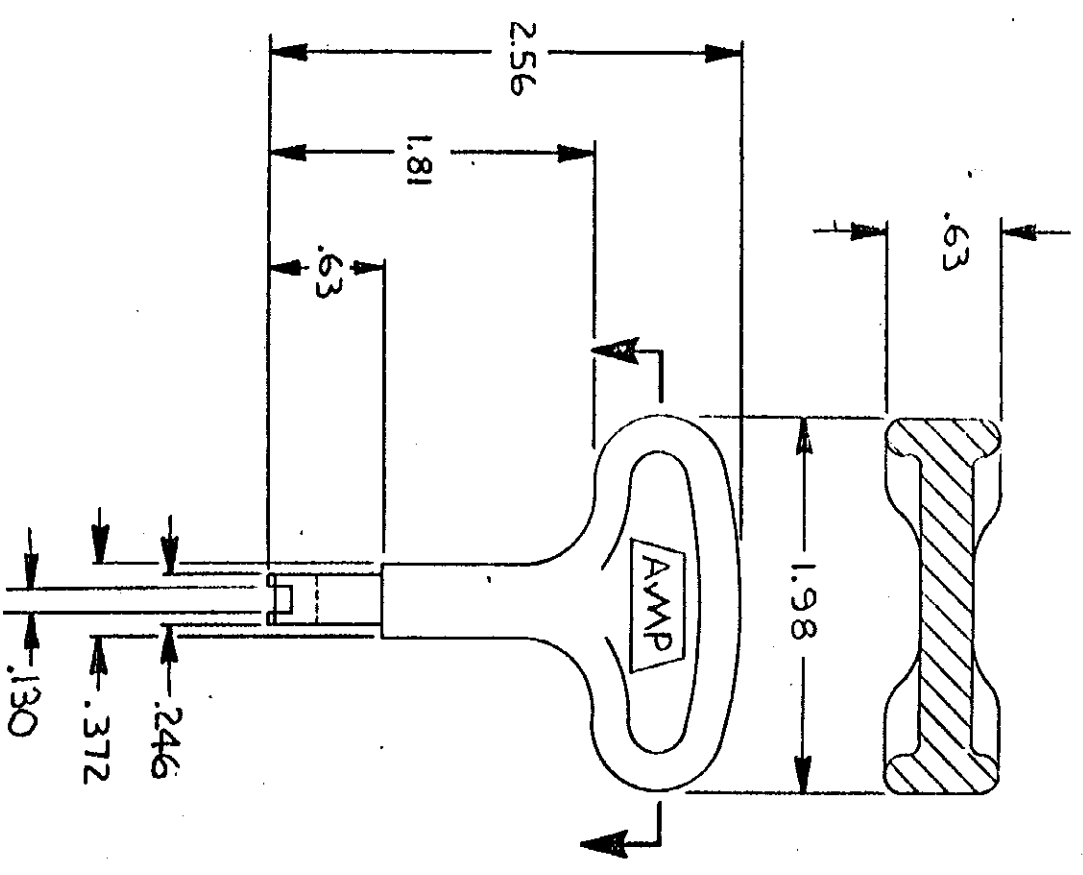


© COPYRIGHT 1978 BY AMP INCORPORATED, HARRISBURG, PA.
 ALL INTERNATIONAL RIGHTS RESERVED. AMP INCORPORATED PRODUCTS
 COVERED BY U. S. AND FOREIGN PATENTS AND/OR PATENTS PENDING.



1. ALL DIM. SHOWN ARE FOR REF ONLY.

229384-1 AS SHOWN

REVISONS		DATE	APPROVED
P	ZONE		
F	LTR		
O	ASFD	6-13-78	RS

UNLESS OTHERWISE SPECIFIED DIMENSIONS ARE IN INCHES. DECIMALS IN ANGLES ± .1		CONTRACT NO		NAME	
MATERIAL BLACK NYLON		DR Randy Orvino 6-13-78		AMP INCORPORATED Harrisburg, Pa.	
FINISH //		CHK R. K. Kach 6-14-78		TOOL, INSERTION, HAND	
APPD		APPD		SIZE B	
DSGN APPD		DSGN APPD		CODE IDENT NO 00779	
OTHER APPD		OTHER APPD		DRAWING NO 229384	
SCALE 1/1		SHEET 1 OF 1		PART NO	

CUSTOMER DRAWING