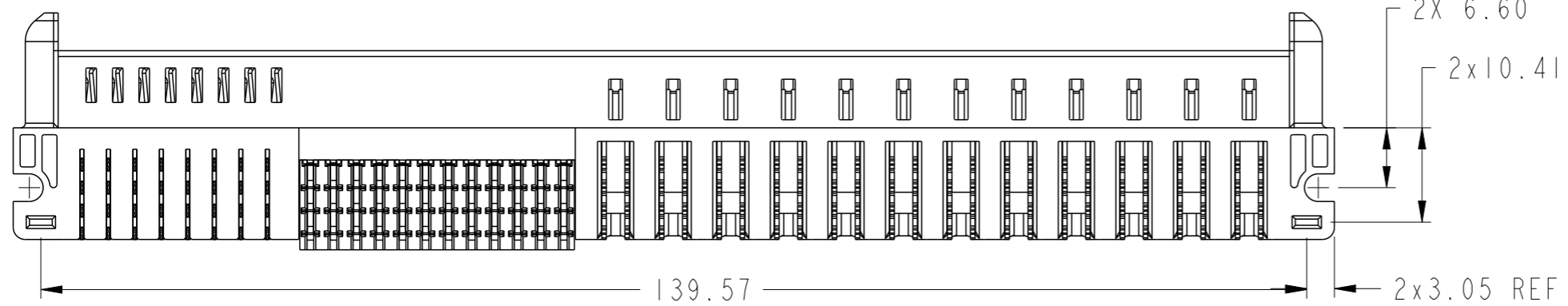
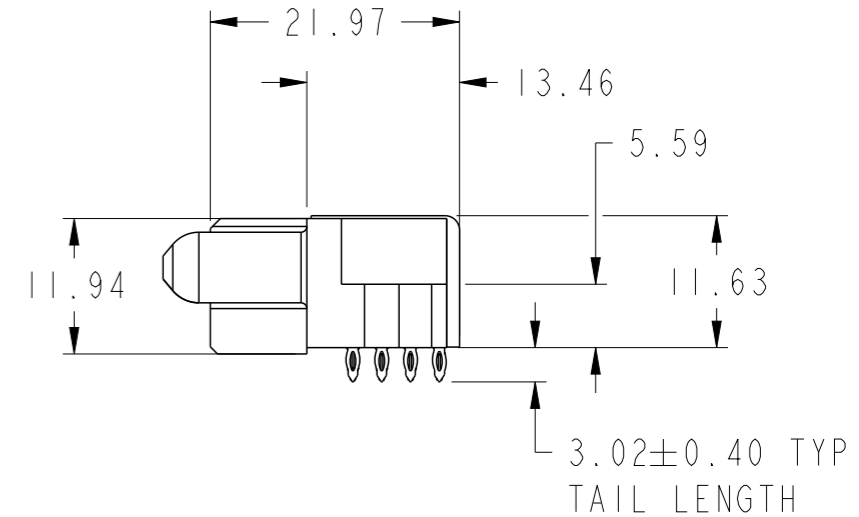
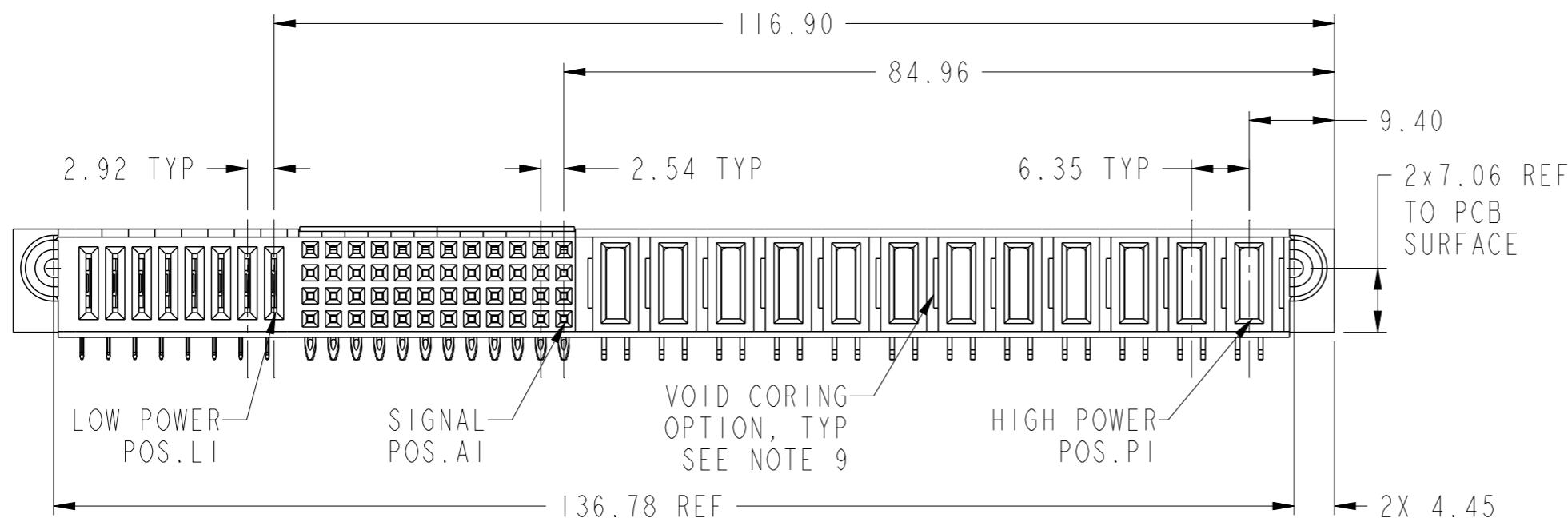
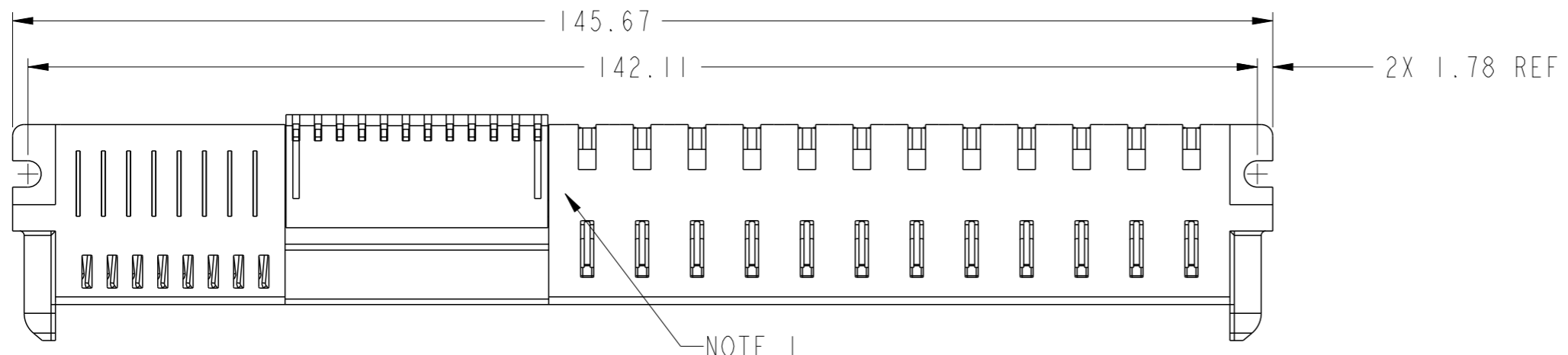


PART NUMBER 10106127-C812002LF



| | | | | | | | | | | | |
|---------------|---------------------------------------|------|----------------|------------|------------|----|------------------------|------------------|--------------|----------|---|
| spec ref | * | dr | Peng-Bing Fu | 2011/05/06 | projection | mm | size | A3 | scale | 3:2 | |
| tolerance std | ISO 406 ISO 1101 | eng | Vicking Liu | 2016/10/31 | | | ecn no | ELX-DG-25114-1 | | | |
| surface | linear | chr | Fancy Zhang | 2016/11/02 | | | product family | PwrBlade+ | rel level | Released | |
| | angular | appr | Pei-Ming Zheng | 2016/11/02 | | | dwg no | 10106127-C812002 | | rev | D |
| | 0.X ±0.5 0.XX ±0.25 0.XXX ±0.10 | | | cat. no. | | - | Product - Customer Drw | | sheet 1 of 3 | | |

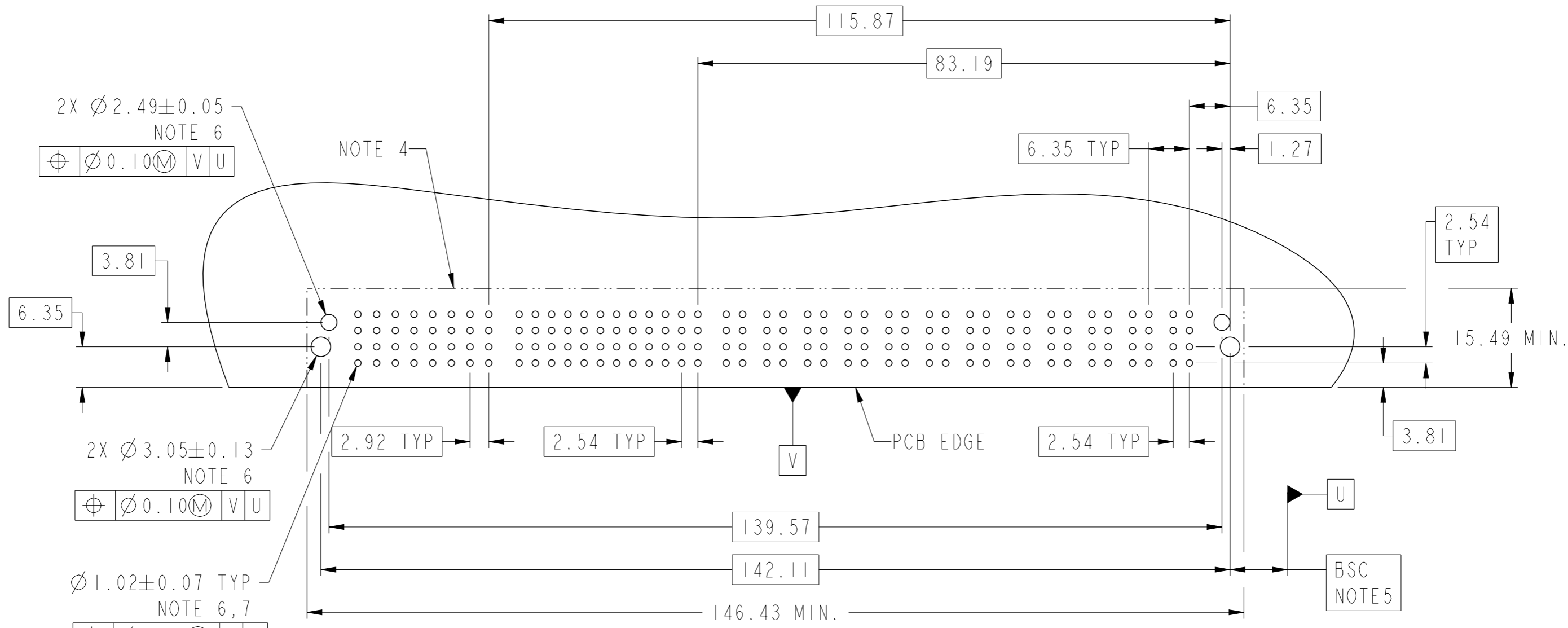
Amphenol FCI

© 2016 AFCI

| PRODUCT NUMBER | ROW | LOW POWER | | | | | | | | SIGNAL | | | | | | | | HIGH POWER | | | | | | | | CODE | DESCRIPTION | | | | | | | | | | | | | | | | | | | | | | | | | | | | | | | | | | | | | | | | | | | | | | |
|--------------------|------------------|-----------|----|----|----|----|----|----|----|--------|----|----|----|----|----|----|----|------------|----|----|----|-----|-----|-----|----|------|-------------|----|----|----|----|----|----|----|-----|----|----|----|----|----|----|----|----|----|----|----|----|---|---|---|---|---|---|---|---|---|---|---|---|---|---|---|---|----|----|----|----|------------------------|---------------------------|---------------------------|---------------------------|---------------------------|-----------------------|
| | | L8 | L7 | L6 | L5 | L4 | L3 | L2 | L1 | I2 | I1 | I0 | 9 | 8 | 7 | 6 | 5 | 4 | 3 | 2 | 1 | PI2 | PI1 | PI0 | P9 | | | P8 | P7 | P6 | P5 | P4 | P3 | P2 | PI1 | | | | | | | | | | | | | | | | | | | | | | | | | | | | | | | | | | | | | | |
| 10106127-C812002LF | D C B A | LT | LT | LT | LT | LT | LT | LT | LT | SD | SD | SD | SD | SD | SD | SD | SD | SD | SD | SD | SD | SC | SC | SC | SC | SC | SC | SC | SC | SC | SC | SC | SC | SC | SB | SB | SB | SB | SB | SB | SB | SB | SB | SB | SB | SB | SB | H | H | H | H | H | H | H | H | H | H | H | H | H | H | H | N | SB | SC | SD | LT | STD HIGH POWER CONTACT | STD SIGNAL CONTACT, ROW A | STD SIGNAL CONTACT, ROW B | STD SIGNAL CONTACT, ROW C | STD SIGNAL CONTACT, ROW D | STD LOW POWER CONTACT |

A
B
C
D

A
B
C
D



| | | | | | | | | | | |
|---------------------------------------|---------------------|------|--------------|------------|------------------|----|--------|------------------|-----------|----------|
| spec ref | * | dr | Peng-Bing Fu | 2011/05/06 | projection | mm | size | A3 | scale | 3:2 |
| tolerance std | ISO 406 ISO 1101 | eng | Vicking Liu | 2016/10/31 | | | ecn no | ELX-DG-25114-1 | rel level | Released |
| TOLERANCES UNLESS OTHERWISE SPECIFIED | | chr | Fancy Zhang | 2016/11/02 | | | | | | |
| surface | linear | 0.X | ±0.5 | | 12HP + 48S + 8LP | | dwg no | 10106127-C812002 | | rev |
| | | 0.XX | ±0.25 | | RA PF RECEPTACLE | | | | | |
| | angular | 0° | ±2° | | cat. no. | - | | | | |

A

B

C

D

A

B

C

D

NOTES:

- 1) PRODUCT MARK:
PART NUMBER AND DATE CODE TO BE MARKED ON THIS SURFACE .
THE MARK CAN BE OMITTED IF THERE IS NOT ENOUGH SPACE ON THIS SURFACE.
- 2) MATERIALS:
-HOUSING : HIGH TEMP THERMOPLASTIC WITH GLASS FIBER, UL94V-0, BLACK.
-POWER CONTACT : HIGH CONDUCTIVITY COPPER ALLOY.
-SIGNAL CONTACT : COPPER ALLOY.
- 3) PLATING SPECIFICATION : 10116351
- 4) DENOTES CONNECTOR KEEP OUT ZONE.
- 5) DATUM AND BASIC DIMENIONS ARE ESTABLISHED BY CUSTOMER.
- 6) ALL HOLE DIAMETERS ARE FINISHED HOLE SIZES.
- 7) 1.15+/-0.025MM DRILLED HOLE PLATED WITH 0.00762MM MIN SN
OVER 0.0254-0.0762MM CU PLATING TO ACHIEVE A 1.02+/-0.07MM HOLE.
- 8) THIS PRODUCT MEETS EUROPEAN UNION DIRECTIVES AND OTHER COUNTRY
REGULATIONS AS DESCRIBED IN GS-47-0004.
- 9) THE VOID CORING IN BETWEEN POWER MODULES, SIGNAL MODULES AND
END MODULES ARE OPTIONAL AND THE SHAPE MAY BE DIFFERENT FOR
OPTIMIZE THE MOLDING PROCESS. THE VOID CORING WILL NOT EFFECT
TO PRODUCT FUNCTION.
- 10) PRODUCT SPECIFICATION : GS-12-658.
APPLICATION SPECIFICATION : GS-20-141.
PRODUCT PACKAGE SPECIFICATION: GS-14-1502.

Amphenol
FCi

© 2016 AFCI

| | | | | | | | | | | | |
|---------------|---------|-------|----------------|-------------------------|------------------|------------------------|----------------|------------------|----------------|-----|---|
| spec ref * | | dr | Peng-Bing Fu | 2011/05/06 | projection | mm | size | A3 | scale | 3:2 | |
| tolerance std | | eng | Vicking Liu | 2016/10/31 | | ←→ | ecn no | | ELX-DG-25114-1 | | |
| ISO 406 | | chr | Fancy Zhang | 2016/11/02 | | | rel level | | Released | | |
| ISO 1101 | | appr | Pei-Ming Zheng | 2016/11/02 | | | product family | | PwrBlade+ | | |
| surface | linear | 0.X | ±0.5 | Amphenol FCi | 12HP + 48S + 8LP | | dwg no | 10106127-C812002 | | rev | D |
| | | 0.XX | ±0.25 | | RA PF RECEPTACLE | | | | | | |
| | | 0.XXX | ±0.10 | | | | | | | | |
| ISO 1302 | angular | 0° | ±2° | cat. no. | - | Product - Customer Drw | | sheet 3 of 3 | | | |