



896.725 MHz Cavity Bandpass Filter

Part Number: AB896B1039



ANATECH ELECTRONICS INC
RF & Microwave Filters & Products

Electrical specifications

Center frequency: 896.752 MHz
Passband: 891.752-901.752 MHz
Insertion loss: <1.5 dB
Return loss: >16 dB
Out of band rejection 1: 75 dB@835-875.752 MHz
Out of band rejection 2: 75 dB@917.752-960 MHz
Power handling: 20 Watts

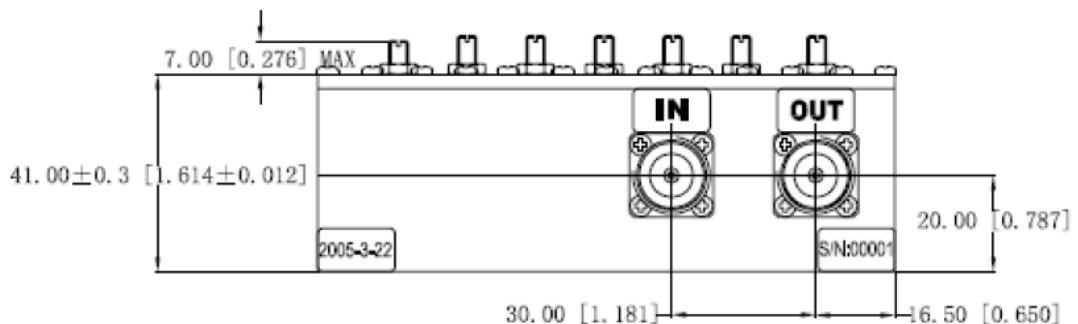
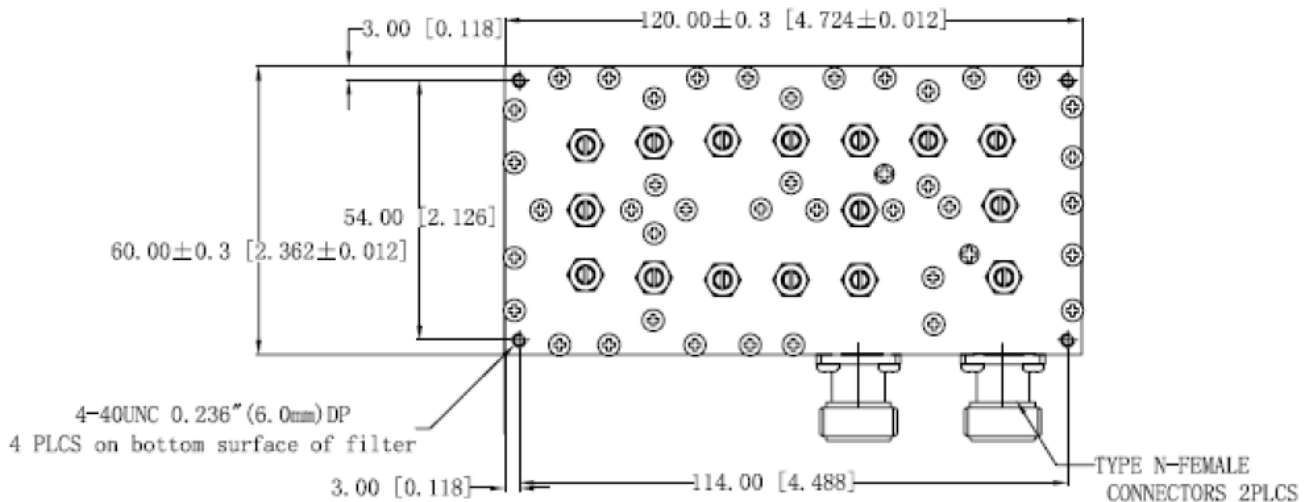
Mechanical

Mounting Method: Threaded Mounting Holes
Connector Type: N-Type Female
Dimensions: 4.72" x 2.36" x 1.89" in

Environmental

Operating Temperature: -45 to +85° C
Storage Temperature: -55 to +95° C
Shock: 20 G. 11ms
Vibration: 20 G. 5 to 200 MHz

Outline Drawing:





Plot:

