

7/16 DIN



Gamma's 7/16 DIN Weatherproofing Boots are manufactured from a highly UV resistant silicone rubber that protects and seals connections. This boot provides IP68 performance and makes for the ideal weatherproof LTE connection solution. We offer standard and right angle 7/16 DIN boots.

Gamma's RF Weatherproofing Boots are one of the few cable protection solutions available that install faster than Cold Shrink and that's only because they come pre-installed on the cable. Simply slide the boots up the cable and over the connectors and you're done. Just like Cold Shrink, the Boots are IP68 rated when installed correctly making them a fantastic cable protection solution.

We recommend using RF Weatherproofing Boots in situations where you know you need to revisit the connection. If you know you need to go back to that connection in the near future to reset a radio/access point, (or something of that nature), you don't want to be cutting cold shrink, heat shrink, or tape off the connection with each visit. Slide-On Boots make it easy to disconnect your connection without having to change out your weather proofing.



Characteristics

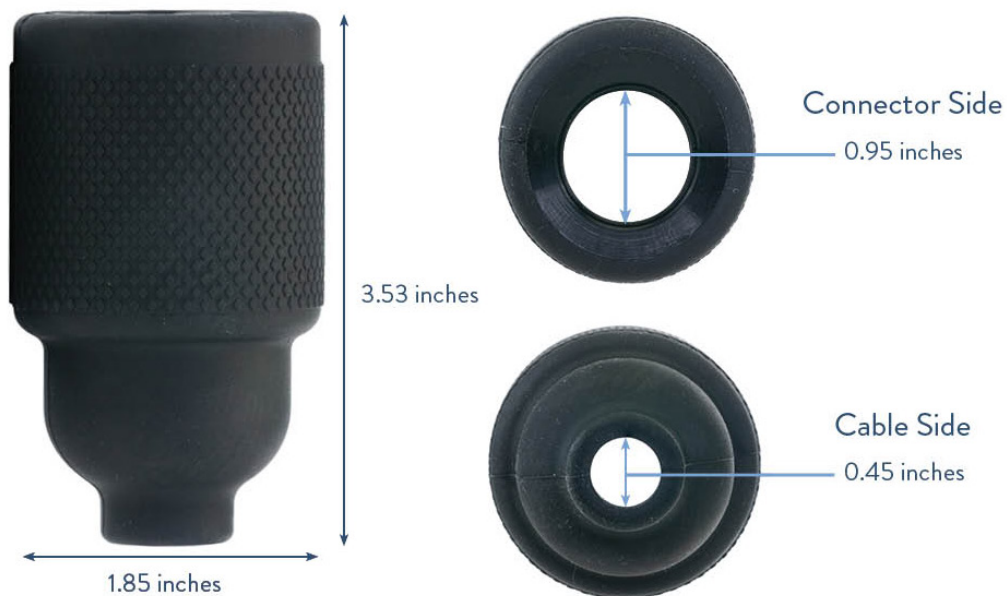
- UV resistant silicone rubber
- Reusable and flexible enough for easy slide on and off
- Waterproof to IP68 standard
- Preinstallation required for LTE jumper cables
- Perfect for outdoor RF coaxial cable connection protection
- Protects connections from the elements
- Available in right angle

Ordering Information

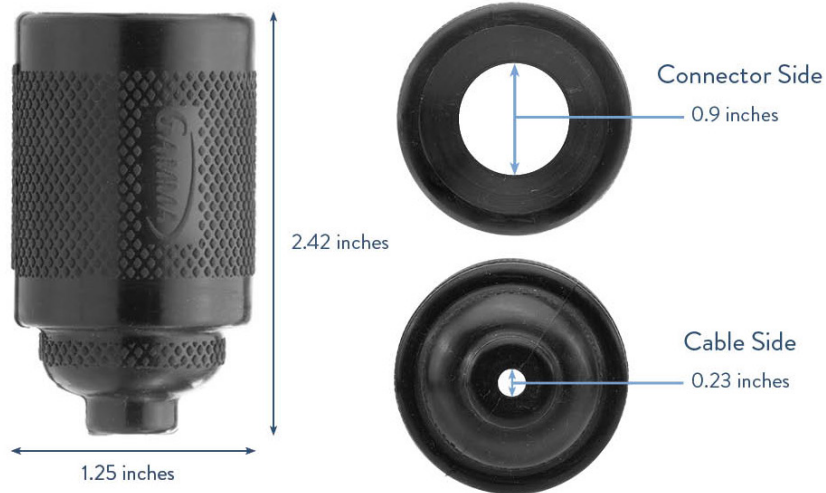
Cable Connection	Part Number	Width	Height	Depth	Connector Diameter	Cable Diameter
7/16 DIN to 1/2" Superflex Jumper Slide-on Boot	BT-716-SFLEX	1.85"	3.53"	N/A	0.95"	0.45"
7/16 DIN to 1/4" Coax	BT-716-COAX25	1.25"	2.42"	N/A	0.90"	0.23"
Right Angle 7/16 DIN to 1/2" Standard Cable	BT-RA-716-ST12	Coming Soon	Coming Soon	Coming Soon	Coming Soon	Coming Soon
7/16 DIN to 1/2" Standard Cable - JMA Compatible	BT-716-ST12-JMA	1.86"	4.04"	N/A	0.77"	0.51"
Right Angle 7/16 DIN to 1/2" Superflex Cable - JMA Compatible	BT-RA-716-SFLEX-JMA	Coming Soon	Coming Soon	Coming Soon	Coming Soon	Coming Soon



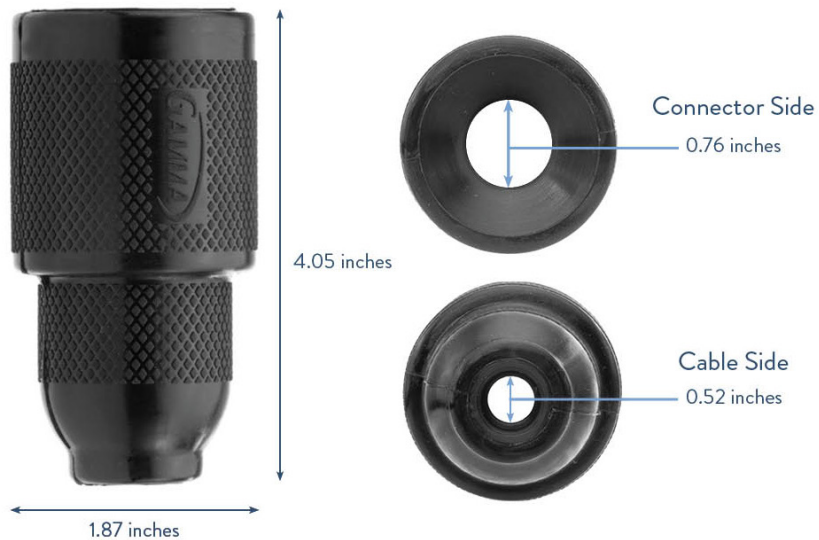
BT-716-SFLEX



GAMMA BT-716-COAX25



GAMMA BT-716-ST12-JMA



Property of Gamma Electronics Inc.

2818 Metropolitan Place, Suite A
Pomona, CA 91767

www.gammaelectronics.net