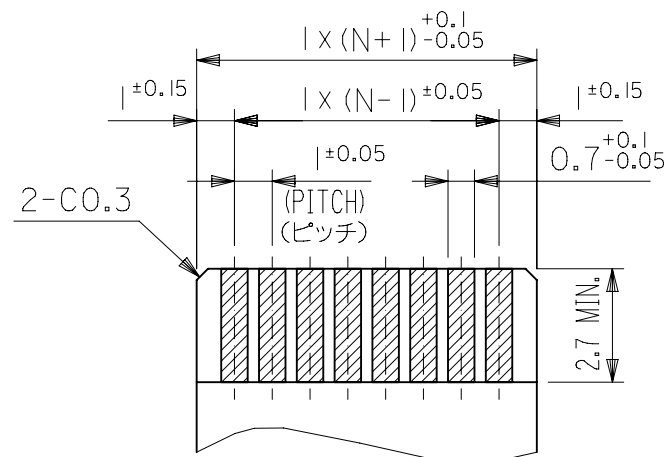
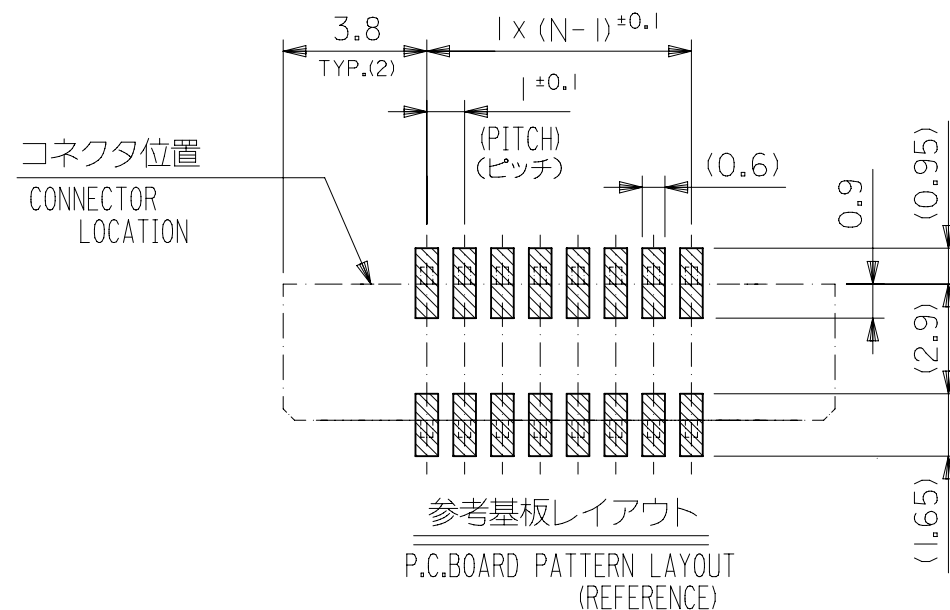


THIS DRAWING CONTAINS INFORMATION THAT IS PROPRIETARY TO MOLEX ELECTRONIC TECHNOLOGIES, LLC AND SHOULD NOT BE USED WITHOUT WRITTEN PERMISSION		CURRENT REV DESC:		molex	
DIMENSION UNITS	SCALE	EC NO: 745355			
mm	NTS	DRWN: RAJMOK 2023/04/07		PRODUCT CUSTOMER DRAWING	
GENERAL TOLERANCES (UNLESS SPECIFIED)		CHK'D: HSHIMOYAMA 2023/04/07		DOCUMENT NUMBER	
ANGULAR TOL ± 3.0°		APPR: HSHIMOYAMA 2023/04/07		SD-52610-034	
4 PLACES ±		INITIAL REVISION:		DOC TYPE DOC PART REVISION	
3 PLACES ±		DRWN: HSHIMABUKURO 2004/03/30		PSD 001 D	
2 PLACES ±		APPR: MSASAO 2004/04/01		MATERIAL NUMBER CUSTOMER	
1 PLACE ±		SERIES		SEE SHEET-2 GENERAL MARKET	
0 PLACES ±		DRAWING		SHEET NUMBER	
DRAFT WHERE APPLICABLE MUST REMAIN WITHIN DIMENSIONS		THIRD ANGLE PROJECTION		52610	

GENERAL TOLERANCES (UNLESS SPECIFIED)	
10 UNDER	±0.2
10 OVER 30 UNDER	±0.25
30 OVER	±0.3



適合FPC推奨寸法
 APPLICABLE FPC RECOMMENDED DIM.
 仕上がり厚さ(THICKNESS): 0.3 ±0.05



注記(NOTES):

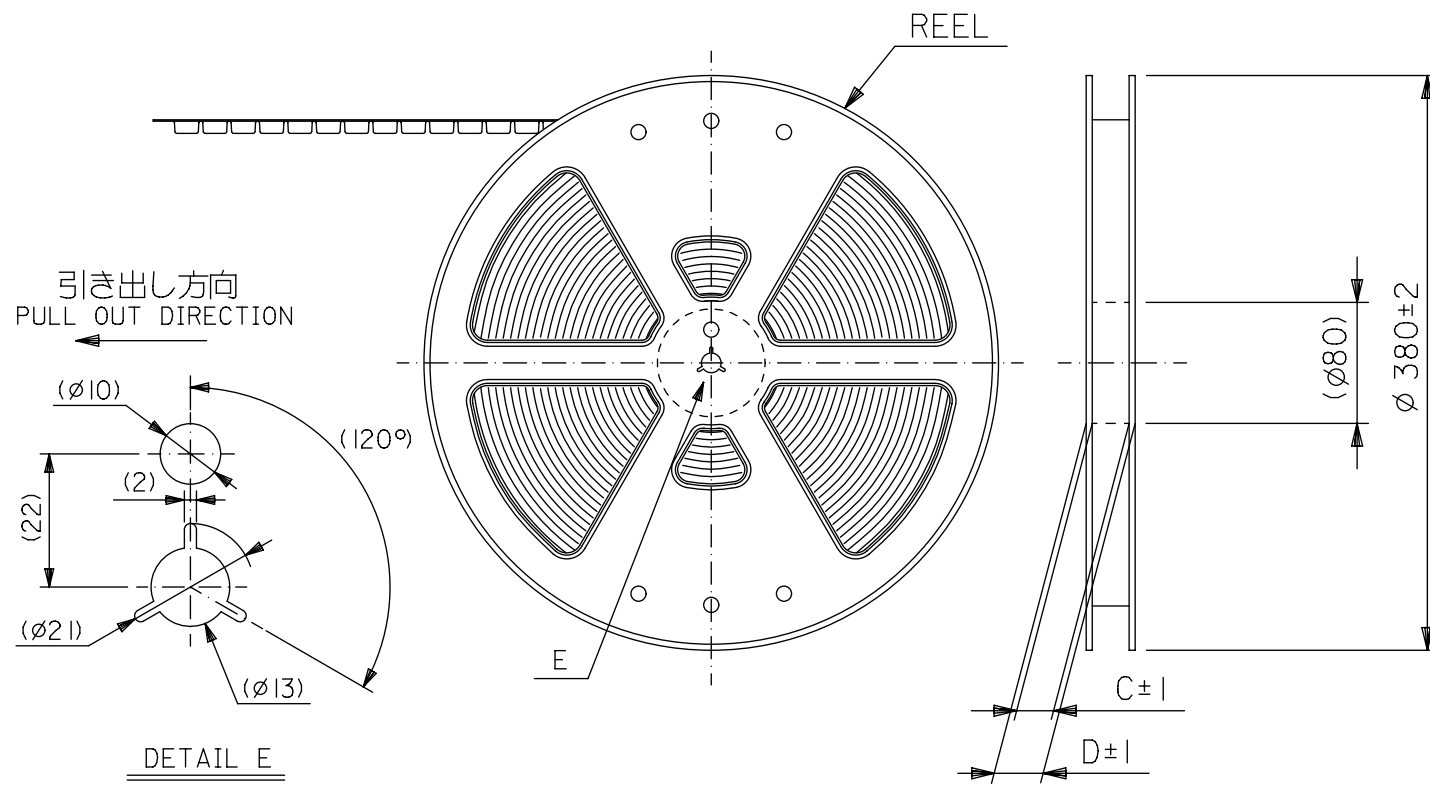
- 材料(MATERIAL)
 ハウジング(HOUSING): 46NYLON, UL94V-0
 アクチュエータ(ACTUATOR): PPS, UL94V-0
 ターミナル(TERMINAL): リン青銅、ニッケル下地、**錫-ビスマスメッキ** (t0.32)
 PHOS-BRO. **TIN-BISMUTH OVER NICKEL PLATED** (A)
- エンボステープ梱包時は、アクチュエータがロックした状態とする。
 IN THE PACKAGE, ACTUATOR OF PART NO. 52610-**59 SHOULD BE LOCKED.
- △ ソルダータール半田付け面のズレ量は、基準面 [F] に対し上方向 0.05 MAX.,
 下方向 0.15 MAX.とする。
 MISALIGNMENT OF SOLDER TAILS FROM [F] UPPER DIRECTION : 0.05 MAX.,
 LOWER DIRECTION : 0.15 MAX.
- △ 偶数極に適用。
 APPLY FOR EVEN CIRCUIT.
5. 本製品は 52610-**57 の鉛フリー品である。
 THIS PRODUCT IS LEAD FREE OF 52610-**57

36.6	34.85	31.2	29	52610-3075	30
34.6	32.85	29.2	27	-2875	28
32.6	30.85	27.2	25	-2675	26
31.6	29.85	26.2	24	-2575	25
30.6	28.85	25.2	23	-2475	24
28.6	26.85	23.2	21	-2275	22
26.6	24.85	21.2	19	-2075	20
25.6	23.85	20.2	18	-1975	19
23.6	21.85	18.2	16	-1775	17
22.6	20.85	17.2	15	-1675	16
20.6	18.85	15.2	13	-1475	14
18.6	16.85	13.2	11	-1275	12
17.6	15.85	12.2	10	-1175	11
16.6	14.85	11.2	9	-1075	10
15.6	13.85	10.2	8	-0975	9
14.6	12.85	9.2	7	-0875	8
13.6	11.85	8.2	6	-0775	7
12.6	10.85	7.2	5	52610-0675	6
D	(C)	B	(A)	MATERIAL. NO.	CKT.

THIS DRAWING CONTAINS INFORMATION THAT IS PROPRIETARY TO MOLEX ELECTRONIC TECHNOLOGIES, LLC AND SHOULD NOT BE USED WITHOUT WRITTEN PERMISSION

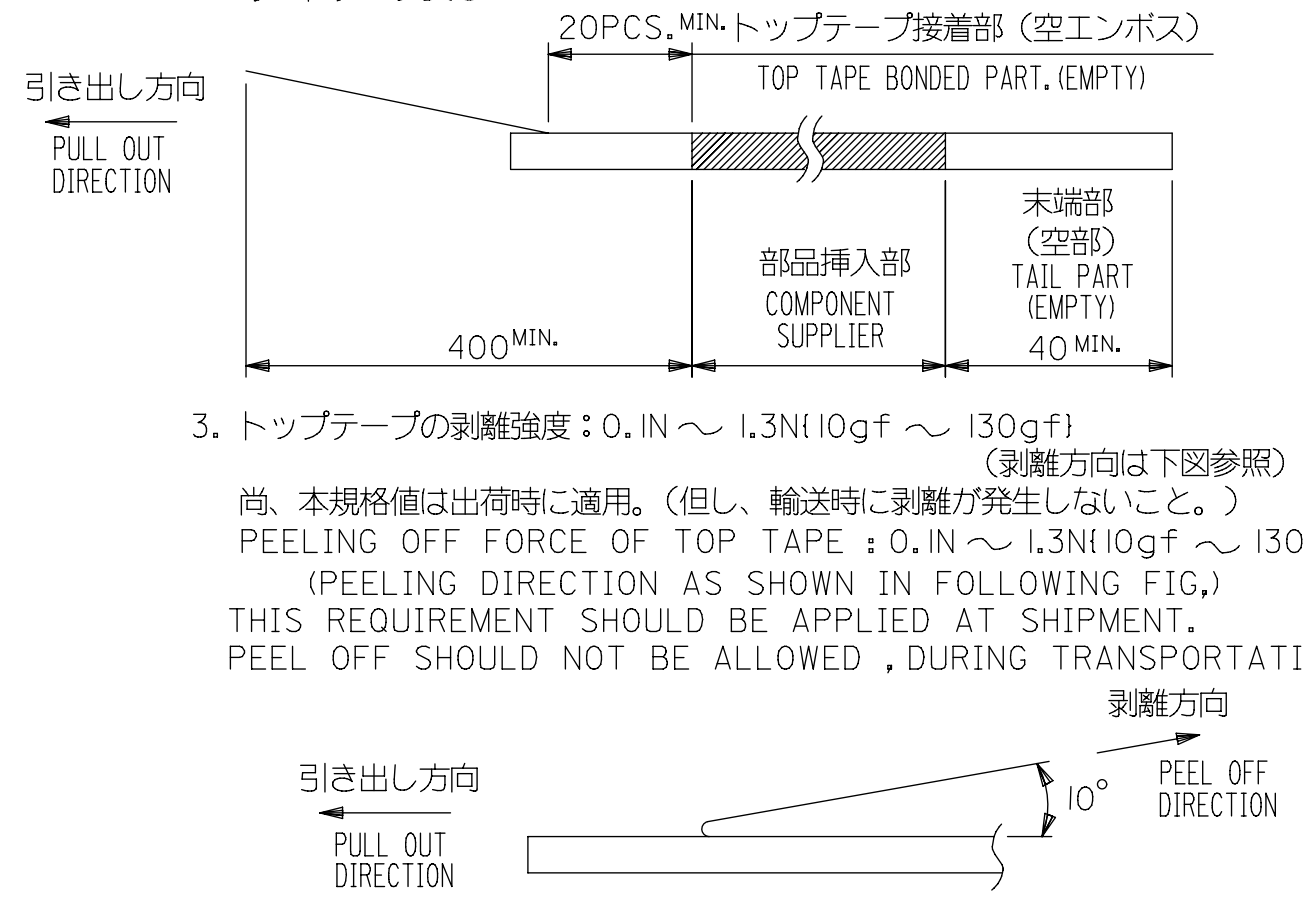
DIMENSION UNITS	SCALE	CURRENT REV DESC.	molex		
mm	NTS				
GENERAL TOLERANCES (UNLESS SPECIFIED)			1.0 FPC CONN ZIF FOR SMT (ST) WITH TAPE -LEAD FREE-		
ANGULAR TOL ± 3.0°			PRODUCT CUSTOMER DRAWING		
4 PLACES	±	EC NO: 745355	DOCUMENT NUMBER		
3 PLACES	±	DRWN: RAJMOK 2023/04/07	SD-52610-034		
2 PLACES	±	CHK'D: HSHIMOYAMA 2023/04/07	DOC TYPE	DOC PART	REVISION
1 PLACE	±	APPR: HSHIMOYAMA 2023/04/07	PSD	001	D
0 PLACES	±	INITIAL REVISION:	SHEET NUMBER		
DRAFT WHERE APPLICABLE MUST REMAIN WITHIN DIMENSIONS			MATERIAL NUMBER	CUSTOMER	
THIRD ANGLE PROJECTION			SEE TABLE	GENERAL MARKET	2 OF 2
DRAWING			SERIES		
A3-SIZE			52610		

GENERAL TOLERANCES (UNLESS SPECIFIED)	
10 ^{UNDER}	±0.2
10 ^{OVER} 30 ^{UNDER}	±0.25
30 ^{OVER}	±0.3



NOTES

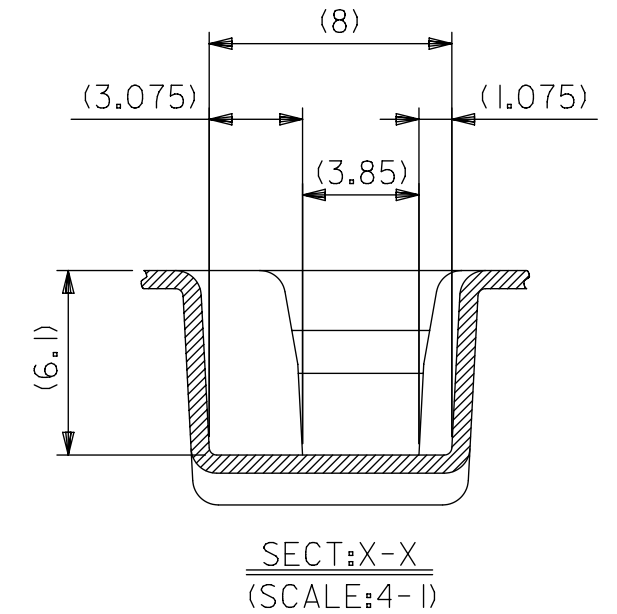
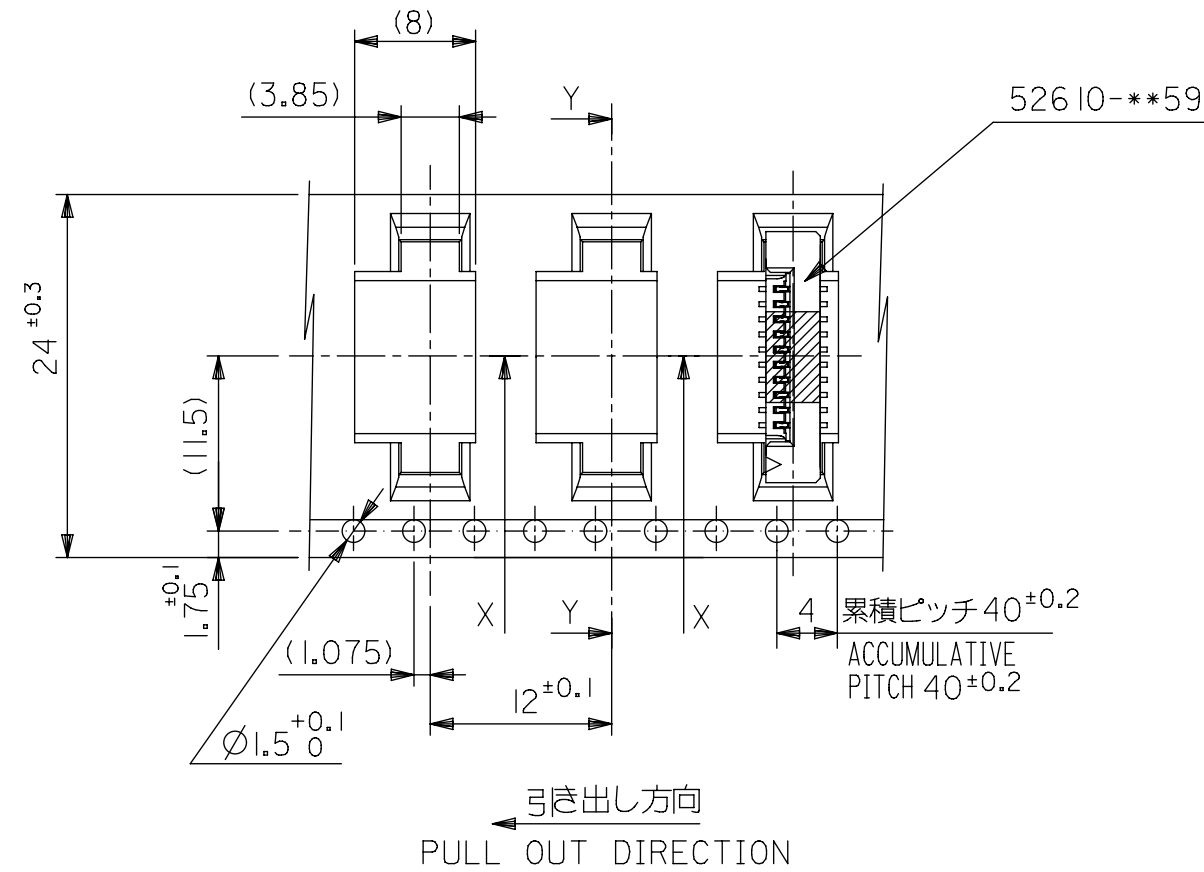
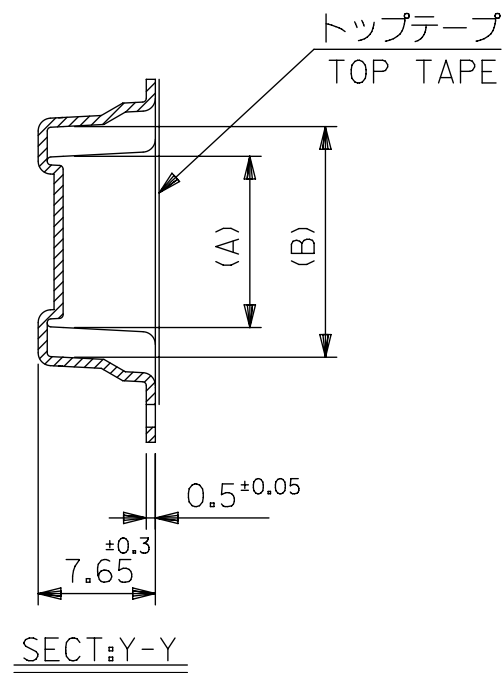
- 梱包数量：1000個/リール
NUMBER OF CONNECTORS : 1000PCS/REEL
- リードテープ長さ LEAD TAPE LENGTH
20PCS. MIN. トップテープ接着部 (空エンボス)
TOP TAPE BONDED PART. (EMPTY)
部品挿入部
COMPONENT SUPPLIER
末端部 (空部)
TAIL PART (EMPTY)
40 MIN.
- トップテープの剥離強度：0.1N ~ 1.3N (10gf ~ 130gf)
(剥離方向は下図参照)
尚、本規格値は出荷時に適用。(但し、輸送時に剥離が発生しないこと。)
PEELING OFF FORCE OF TOP TAPE : 0.1N ~ 1.3N (10gf ~ 130gf)
(PEELING DIRECTION AS SHOWN IN FOLLOWING FIG.)
THIS REQUIREMENT SHOULD BE APPLIED AT SHIPMENT.
PEEL OFF SHOULD NOT BE ALLOWED, DURING TRANSPORTATION.
- 52610-***59のアクチュエータはハウジング内に押し下げた状態とする。
詳細寸法については **製品単体図面を参照下さい。**
ACTUATOR OF PART NO. 52610-***59 SHOULD BE LOCKED.
FOR DETAIL OF CONNECTOR DIMENSIONS, PLEASE SEE THE DRAWING OF ITSELF.
- 材料 (MATERIAL)
キャリアテープ (CARRIER TAPE) : ポリプロピレン (POLYPROPYLENE)
トップテープ (TOPTAPE) : PET, PE, PEF
リール (REEL) : ポリスチレン (PS) <リサイクル材を含む>
POLYSTYRENE (PS) <RECYCLE MATERIAL CONTAINED>
- 本製品は 52610-***94 の鉛フリー品である。
THIS PRODUCT IS LEAD FREE OF 52610-***94
- 本製品は乾燥剤入り、ハイバリア梱包仕様である。
THIS PRODUCT IS HIGH BARRIER PACKAGE WITH DESICCANT.



52610-***75 MODEL NO.

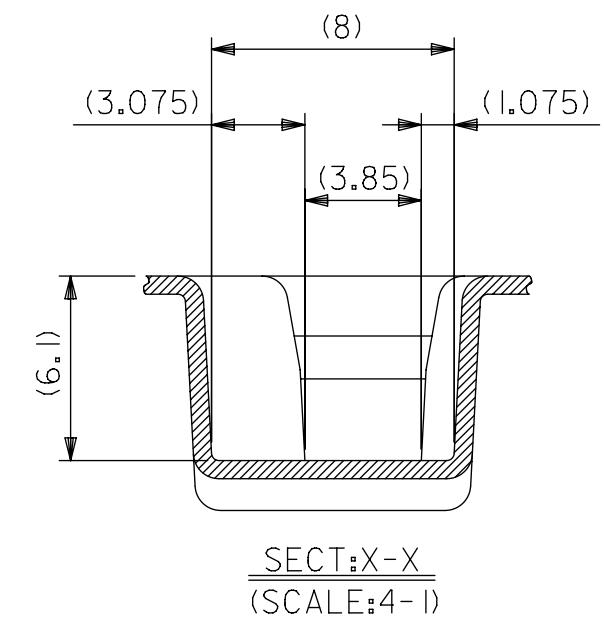
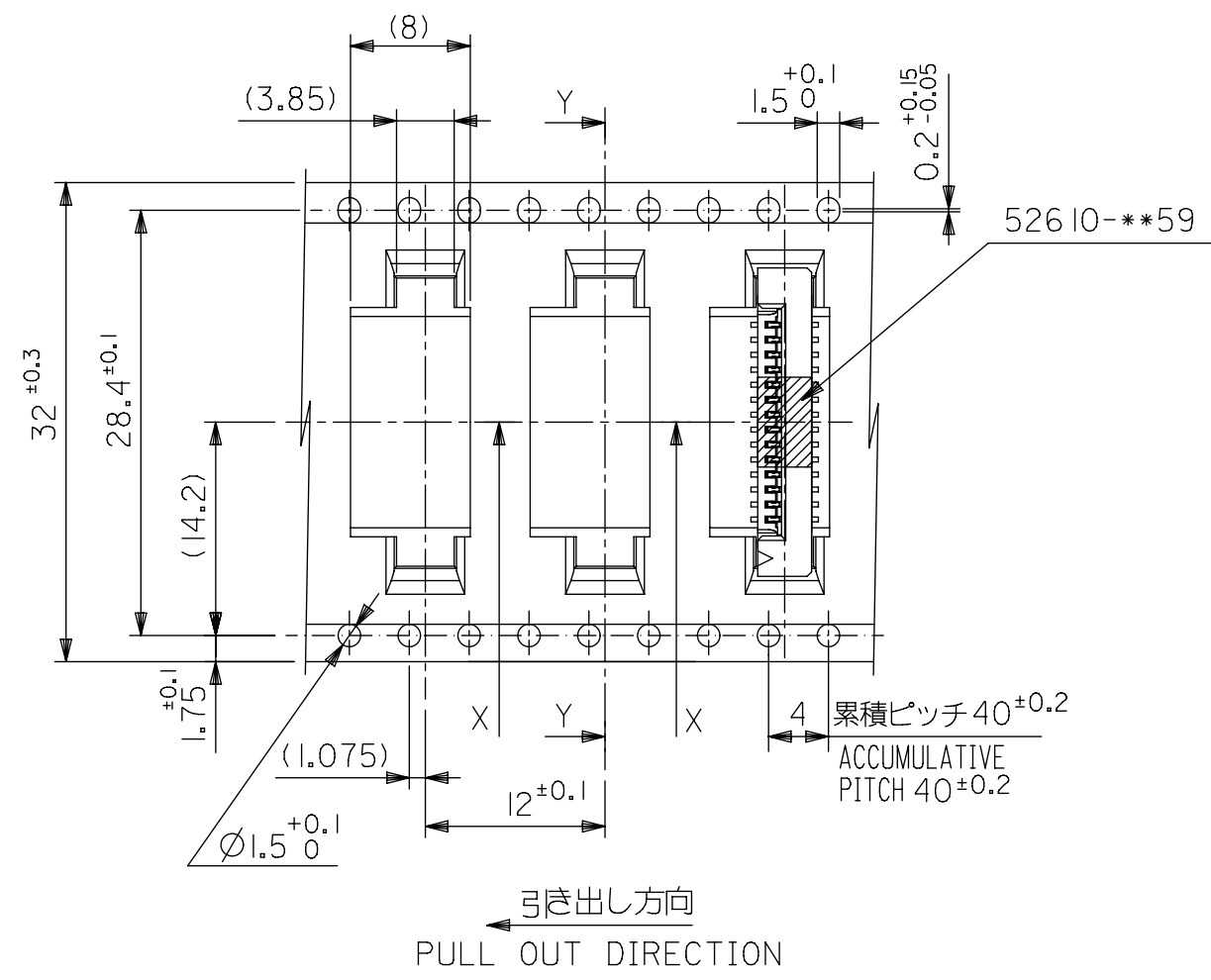
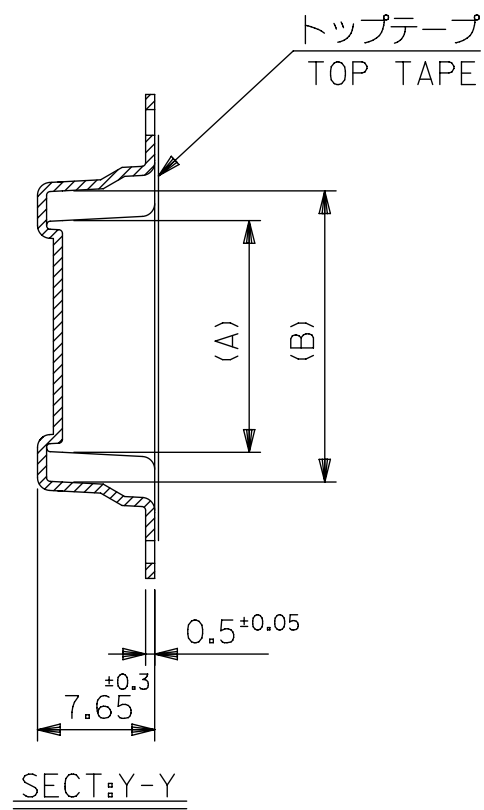
THIS DRAWING CONTAINS INFORMATION THAT IS PROPRIETARY TO MOLEX ELECTRONIC TECHNOLOGIES, LLC AND SHOULD NOT BE USED WITHOUT WRITTEN PERMISSION		CURRENT REV DESC:		molex	
DIMENSION UNITS	SCALE				
mm	NTS			1.0 FPC CONN SMT ZIF WITH TAPE EMBSTP PKG -LEAD FREE-	
GENERAL TOLERANCES (UNLESS SPECIFIED)		EC NO: 719890		PRODUCT CUSTOMER DRAWING	
ANGULAR TOL ± °		DRWN: NARENC 2022/08/26		DOCUMENT NUMBER	
4 PLACES ±		CHK'D: SMARUYAMA 2022/09/05		SD-52610-035	
3 PLACES ±		APPR: YNAITO 2022/09/05		DOC TYPE	
2 PLACES ±		INITIAL REVISION:		PSD	
1 PLACE ±		DRWN: HSHIMABUKURO 2004/03/30		DOC PART	
0 PLACES ±		APPR: MSASAO 2004/04/01		001	
DRAFT WHERE APPLICABLE MUST REMAIN WITHIN DIMENSIONS		THIRD ANGLE PROJECTION		REVISION	
		DRAWING		C	
		SERIES		SHEET NUMBER	
		52610		1 OF 5	
		MATERIAL NUMBER		CUSTOMER	
		SEE TABLE		GENERAL MARKET	

GENERAL TOLERANCES (UNLESS SPECIFIED)	
10 ^{UNDER}	±0.2
10 ^{OVER} 30 ^{UNDER}	±0.25
30 ^{OVER}	±0.3
ANGULAR	±3°



24	29.4	25.4	15.25	11.32	526 10-1075	10	
			14.25	10.32	526 10-0975	9	
			13.25	9.32	526 10-0875	8	
			12.25	8.32	526 10-0775	7	
			11.25	7.32	526 10-0675	6	
526 10-***75	キャリアテープ幅 CARRIER TAPE WIDTH	D	C	(B)	(A)	MATERIAL. NO.	極数 CKT.

THIS DRAWING CONTAINS INFORMATION THAT IS PROPRIETARY TO MOLEX ELECTRONIC TECHNOLOGIES, LLC AND SHOULD NOT BE USED WITHOUT WRITTEN PERMISSION		CURRENT REV DESC:		molex					
DIMENSION UNITS mm	SCALE NTS	GENERAL TOLERANCES (UNLESS SPECIFIED)						1.0 FPC CONN SMT ZIF WITH TAPE EMBSTP PKG -LEAD FREE-	
GENERAL TOLERANCES (UNLESS SPECIFIED)		ANGULAR TOL ± °		EC NO: 719890		2022/08/26		PRODUCT CUSTOMER DRAWING	
10 ^{UNDER}	±0.2	4 PLACES	±	DRWN: NARENC		2022/09/05		DOCUMENT NUMBER	
10 ^{OVER} 30 ^{UNDER}	±0.25	3 PLACES	±	CHK'D: SMARUYAMA		2022/09/05		DOC TYPE	
30 ^{OVER}	±0.3	2 PLACES	±	APPR: YNAITO		2022/09/05		DOC PART	
ANGULAR	±3 °	1 PLACE	±	INITIAL REVISION:		2004/03/30		REVISION	
DRAFT WHERE APPLICABLE MUST REMAIN WITHIN DIMENSIONS		0 PLACES	±	DRWN: HSHIMABUKURO		2004/04/01		SD-52610-035	
THIRD ANGLE PROJECTION		DRAWING		SERIES		MATERIAL NUMBER		CUSTOMER	
A3-SIZE		52610		SEE TABLE		GENERAL MARKET		SHEET NUMBER	
								2 OF 5	

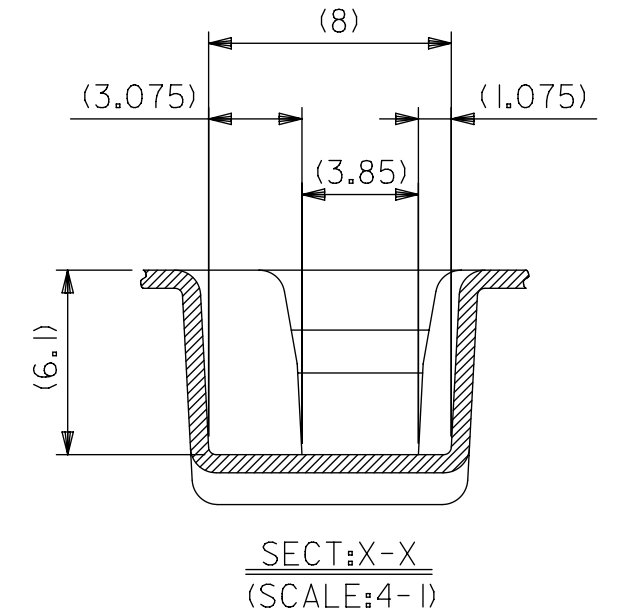
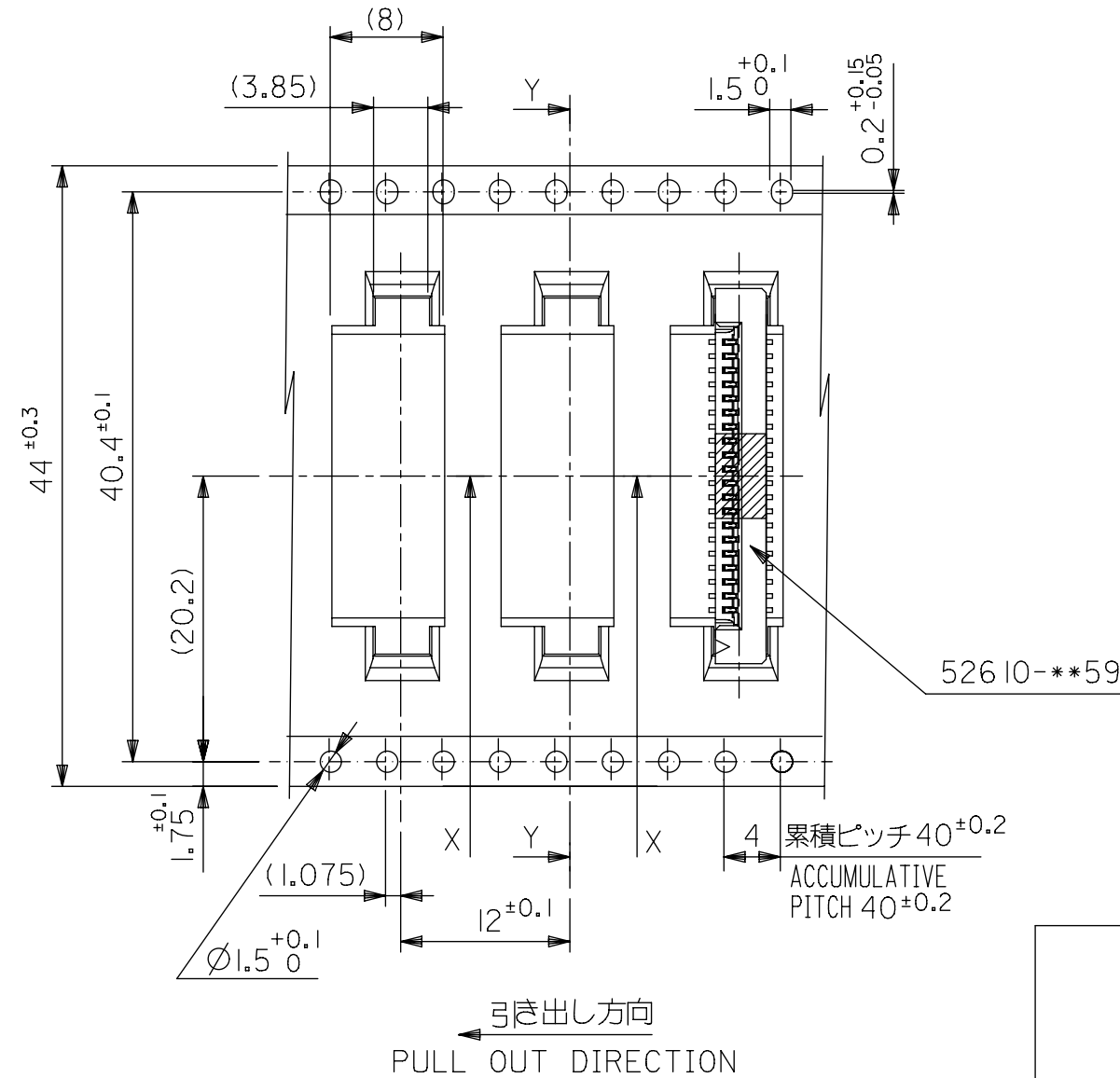
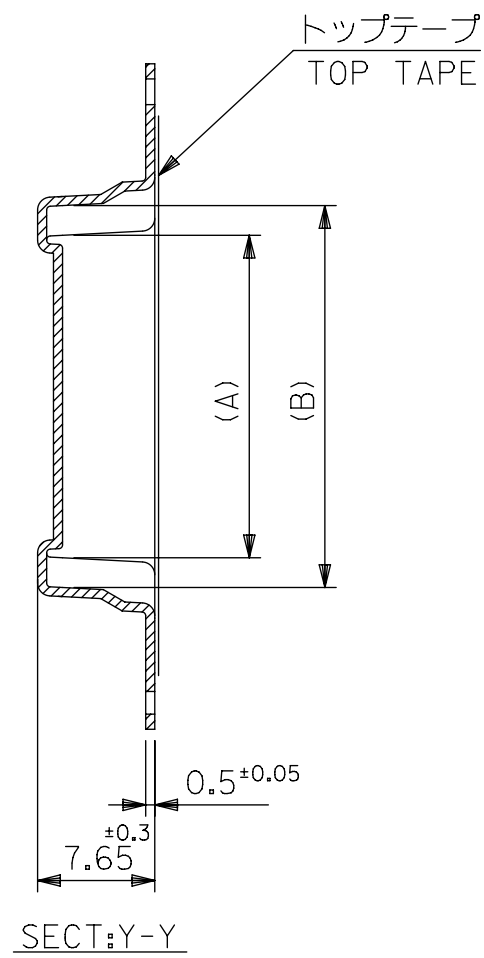


526 10-**-75 MODEL NO.	32	37.4	33.4	19.25	15.32	526 10-1475	14	
				17.25	13.32	526 10-1275	12	
				16.25	12.32	526 10-1175	11	
	キャリアテープ幅 CARRIER TAPE WIDTH		D	C	(B)	(A)	MATERIAL. NO.	極数 CKT.

THIS DRAWING CONTAINS INFORMATION THAT IS PROPRIETARY TO MOLEX ELECTRONIC TECHNOLOGIES, LLC AND SHOULD NOT BE USED WITHOUT WRITTEN PERMISSION

DIMENSION UNITS		SCALE		CURRENT REV DESC:			
mm		NTS					
GENERAL TOLERANCES (UNLESS SPECIFIED)				<p>molex</p> <p>1.0 FPC CONN SMT ZIF WITH TAPE EMBSTP PKG -LEAD FREE-</p> <p>PRODUCT CUSTOMER DRAWING</p> <p>DOCUMENT NUMBER: SD-52610-035 DOC TYPE: PSD DOC PART: 001 REVISION: C</p> <p>MATERIAL NUMBER: SEE TABLE CUSTOMER: GENERAL MARKET SHEET NUMBER: 3 OF 5</p>			
ANGULAR TOL ± °							
4 PLACES ±							
3 PLACES ±							
2 PLACES ±							
1 PLACE ±							
0 PLACES ±				<p>EC NO: 719890</p> <p>DRWN: NARENC 2022/08/26</p> <p>CHK'D: SMARUYAMA 2022/09/05</p> <p>APPR: YNAITO 2022/09/05</p> <p>INITIAL REVISION:</p> <p>DRWN: HSHIMABUKURO 2004/03/30</p> <p>APPR: MSASAO 2004/04/01</p>			
DRAFT WHERE APPLICABLE MUST REMAIN WITHIN DIMENSIONS				THIRD ANGLE PROJECTION		DRAWING	
				A3-SIZE		SERIES	
				52610			

GENERAL TOLERANCES (UNLESS SPECIFIED)	
10 ^{UNDER}	±0.2
10 ^{OVER} 30 ^{UNDER}	±0.25
30 ^{OVER}	±0.3
ANGULAR	±3 °



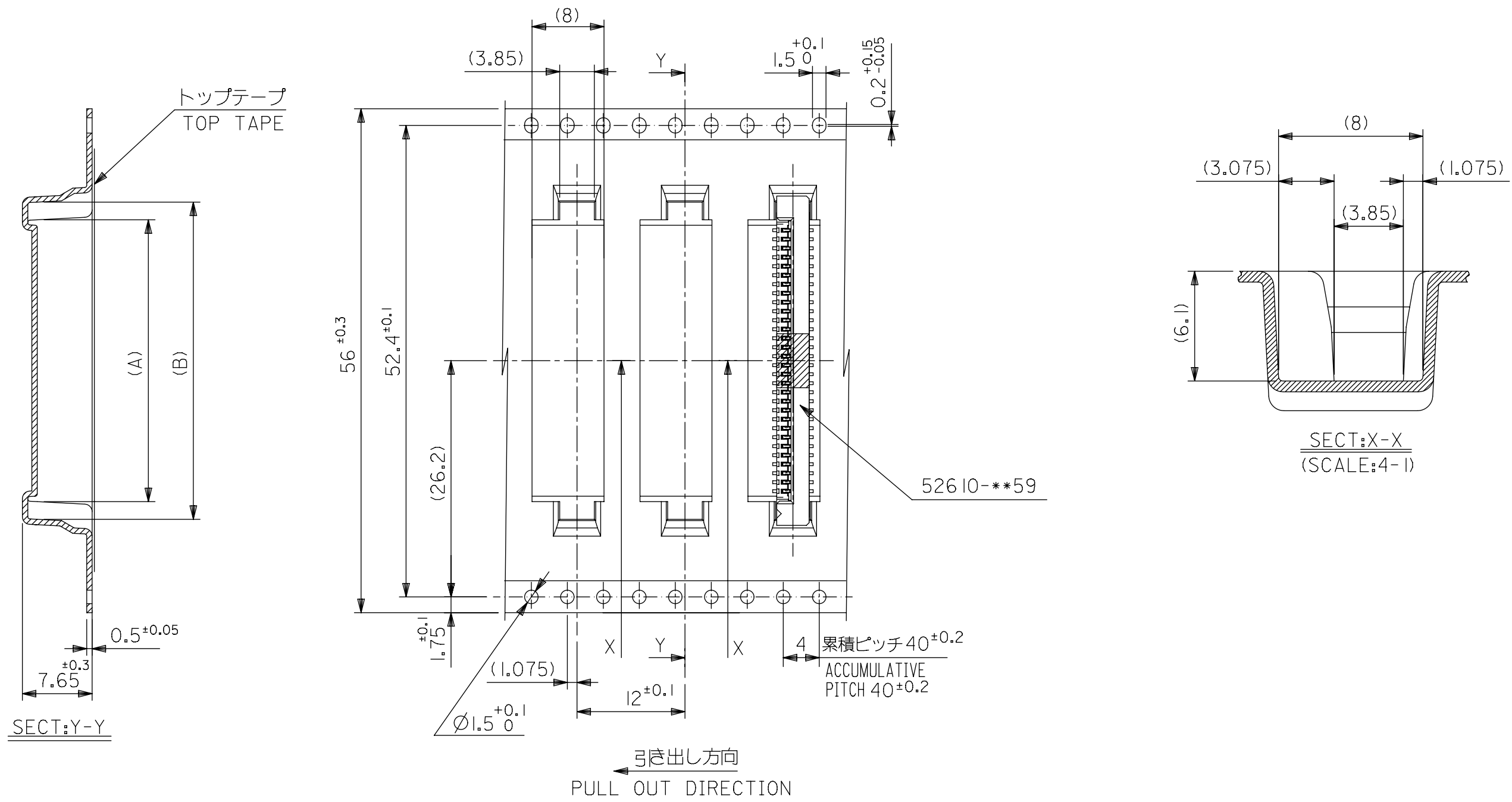
44	49.4	45.4	31.25	27.32	52610-2675	26	
			30.25	26.32	52610-2575	25	
			29.25	25.32	52610-2475	24	
			27.25	23.32	52610-2275	22	
			25.25	21.32	52610-2075	20	
			24.25	20.32	52610-1975	19	
			22.25	18.32	52610-1775	17	
			21.25	17.32	52610-1675	16	
52610-***75	キャリアテープ幅 CARRIER TAPE WIDTH	D	C	(B)	(A)	MATERIAL. NO.	極数 CKT.

THIS DRAWING CONTAINS INFORMATION THAT IS PROPRIETARY TO MOLEX ELECTRONIC TECHNOLOGIES, LLC AND SHOULD NOT BE USED WITHOUT WRITTEN PERMISSION

DIMENSION UNITS		SCALE		CURRENT REV DESC:			
mm		NTS					
GENERAL TOLERANCES (UNLESS SPECIFIED)				molex			
ANGULAR TOL ± °				1.0 FPC CONN SMT ZIF WITH TAPE EMBSTP PKG -LEAD FREE-			
4 PLACES ±				PRODUCT CUSTOMER DRAWING			
3 PLACES ±				DOCUMENT NUMBER			
2 PLACES ±				SD-52610-035			
1 PLACE ±				DOC TYPE			
0 PLACES ±				PSD			
DRAFT WHERE APPLICABLE MUST REMAIN WITHIN DIMENSIONS				THIRD ANGLE PROJECTION		DRAWING	
GENERAL TOLERANCES (UNLESS SPECIFIED)		SERIES		MATERIAL NUMBER		CUSTOMER	
10 ^{UNDER}	±0.2	52610		SEE TABLE		GENERAL MARKET	
10 ^{OVER} 30 ^{UNDER}	±0.25						
30 ^{OVER}	±0.3						
ANGULAR	±3 °					SHEET NUMBER	
						4 OF 5	

EC NO: 719890
DRWN: NARENC 2022/08/26
CHK'D: SMARUYAMA 2022/09/05
APPR: YNAITO 2022/09/05

INITIAL REVISION:
DRWN: HSHIMABUKURO 2004/03/30
APPR: MSASAO 2004/04/01



52610-**75 MODEL.NO.	56	61.4	57.4	35.25	31.32	52610-3075	30
				33.25	29.32	52610-2875	28
	キャリアテープ幅 CARRIER TAPE WIDTH			D	C	(B)	(A)
						MATERIAL.NO.	極数 CKT.

THIS DRAWING CONTAINS INFORMATION THAT IS PROPRIETARY TO MOLEX ELECTRONIC TECHNOLOGIES, LLC AND SHOULD NOT BE USED WITHOUT WRITTEN PERMISSION

DIMENSION UNITS mm	SCALE NTS	CURRENT REV DESC:	
GENERAL TOLERANCES (UNLESS SPECIFIED)		molex 1.0 FPC CONN SMT ZIF WITH TAPE EMBSTP PKG -LEAD FREE- PRODUCT CUSTOMER DRAWING	
ANGULAR TOL	± °		
4 PLACES	±	EC NO: 719890	2022/08/26
3 PLACES	±	DRWN: NARENC	2022/09/05
2 PLACES	±	CHK'D: SMARUYAMA	2022/09/05
1 PLACE	±	APPR: YNAITO	2022/09/05
0 PLACES	±	INITIAL REVISION:	
DRAFT WHERE APPLICABLE MUST REMAIN WITHIN DIMENSIONS		DRWN: HSHIMABUKURO	2004/03/30
		APPR: MSASAO	2004/04/01
THIRD ANGLE PROJECTION		DRAWING	SERIES
		A3-SIZE	52610
		MATERIAL NUMBER	CUSTOMER
		SEE TABLE	GENERAL MARKET
		DOCUMENT NUMBER	DOC TYPE DOC PART REVISION
		SD-52610-035	PSD 001 C
		SHEET NUMBER	
		5 OF 5	

GENERAL TOLERANCES (UNLESS SPECIFIED)	
10 ^{UNDER}	±0.2
10 ^{OVER} 30 ^{UNDER}	±0.25
30 ^{OVER}	±0.3
ANGULAR	±3 °