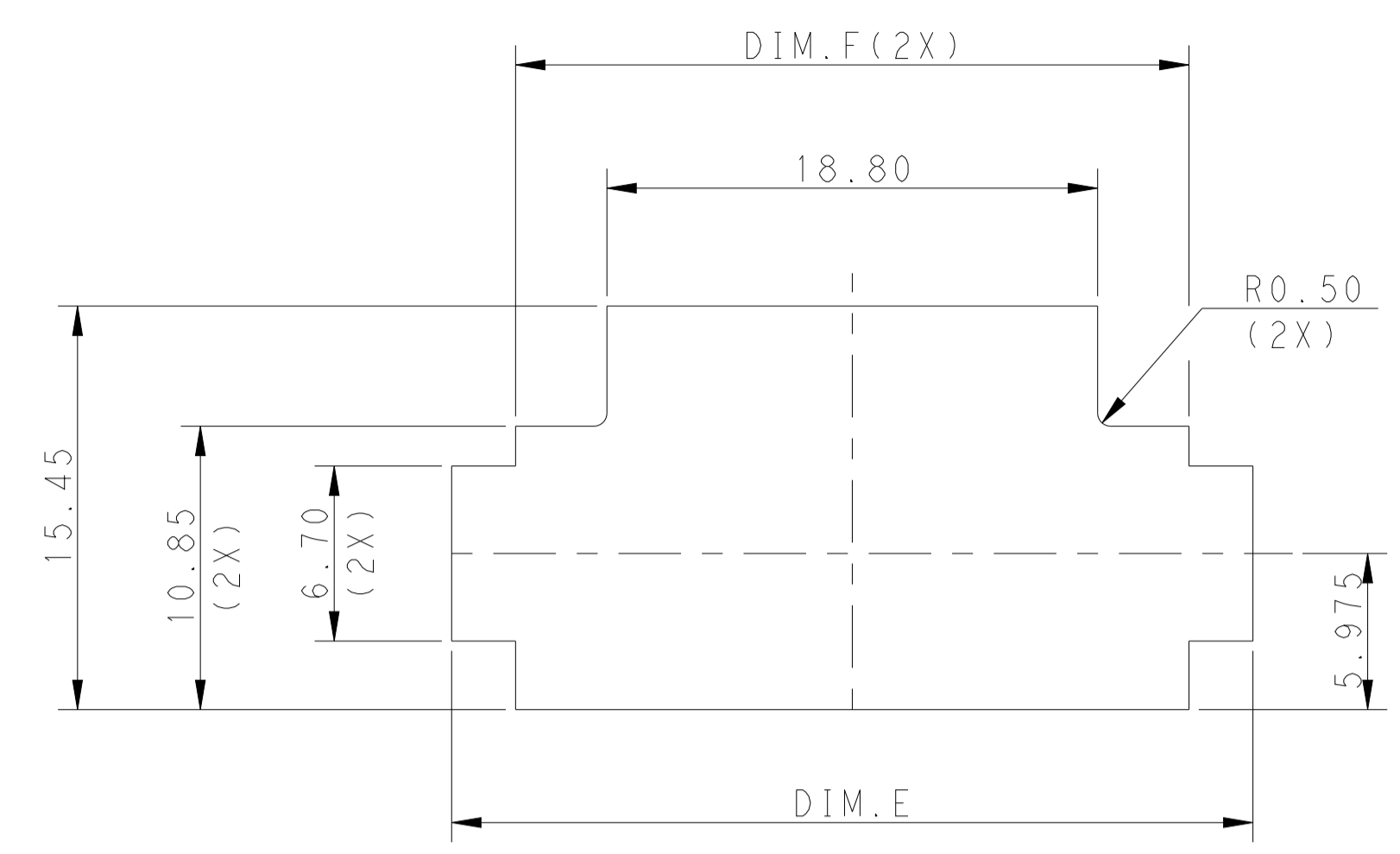
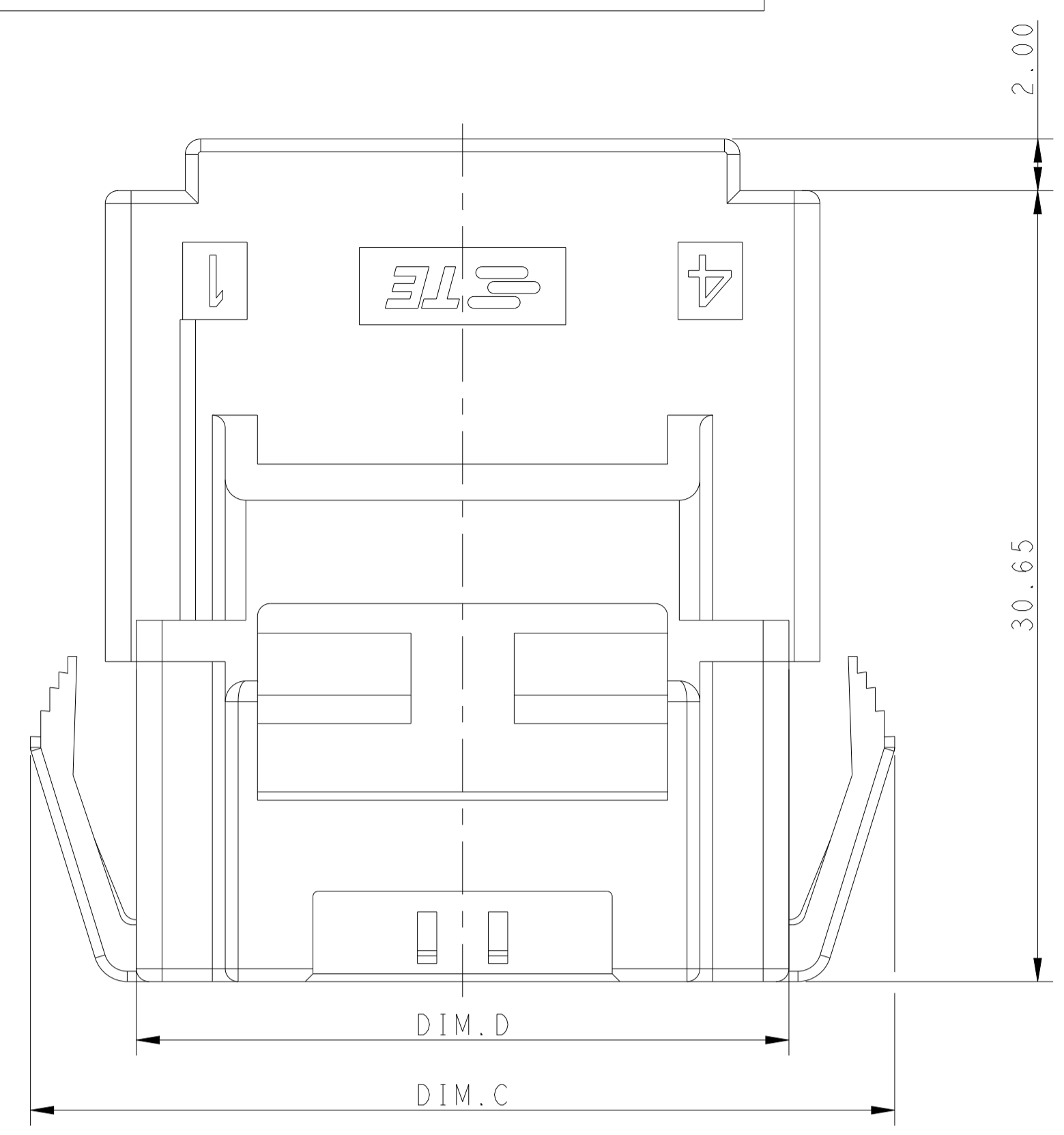


REVISIONS					
P	LTM	DESCRIPTION	DATE	DWN	APVD
G		REVISED PER ECR-22-137850	17MAY2023	SKR	CM
H		REVISED PER ECR-22-141796	08JUN2023	RS	CM

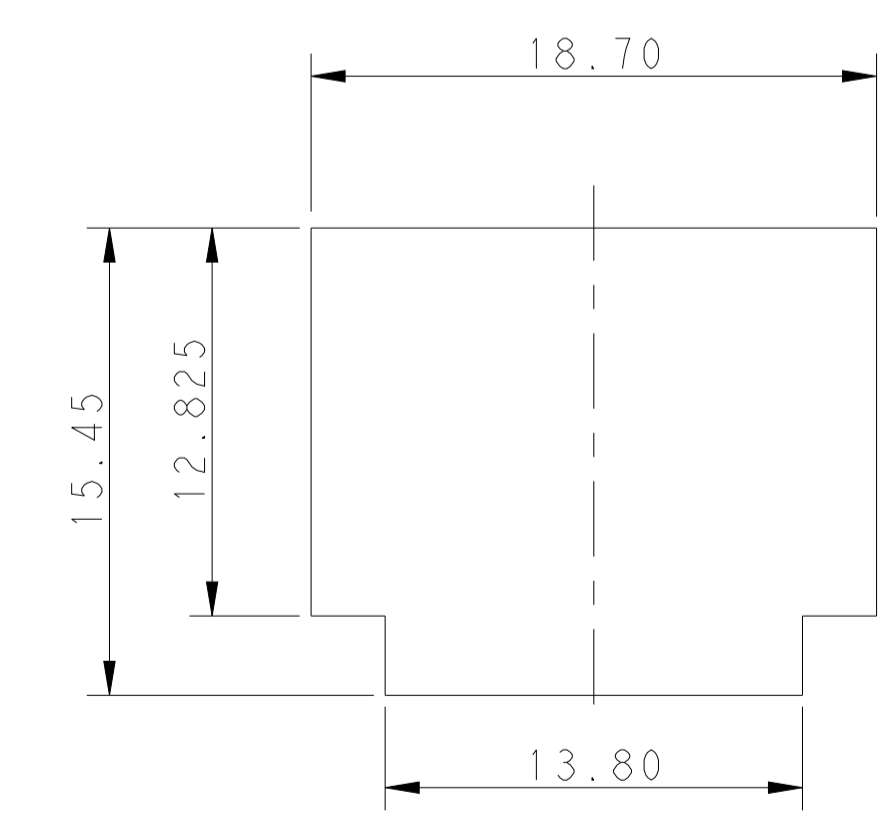
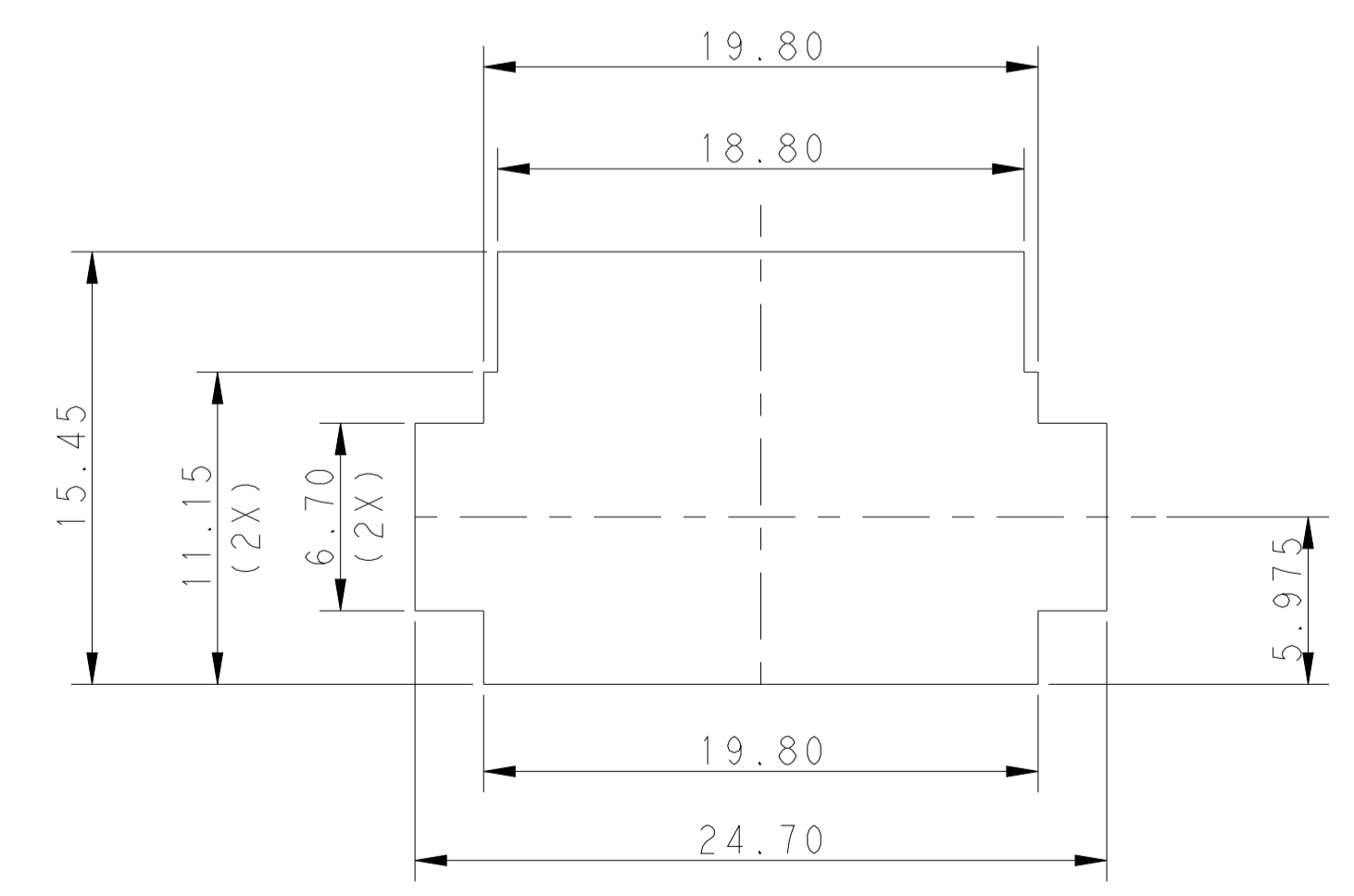
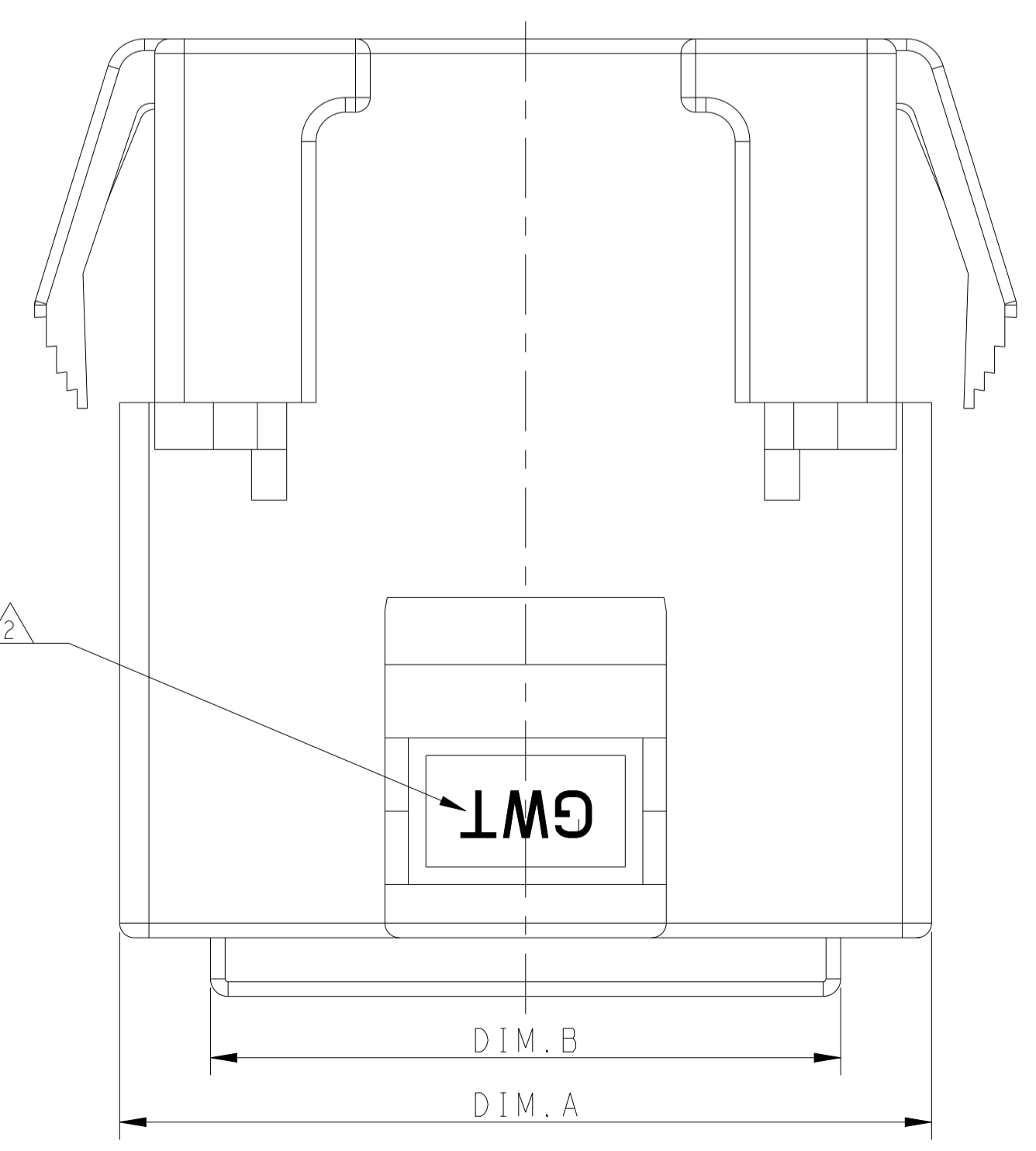
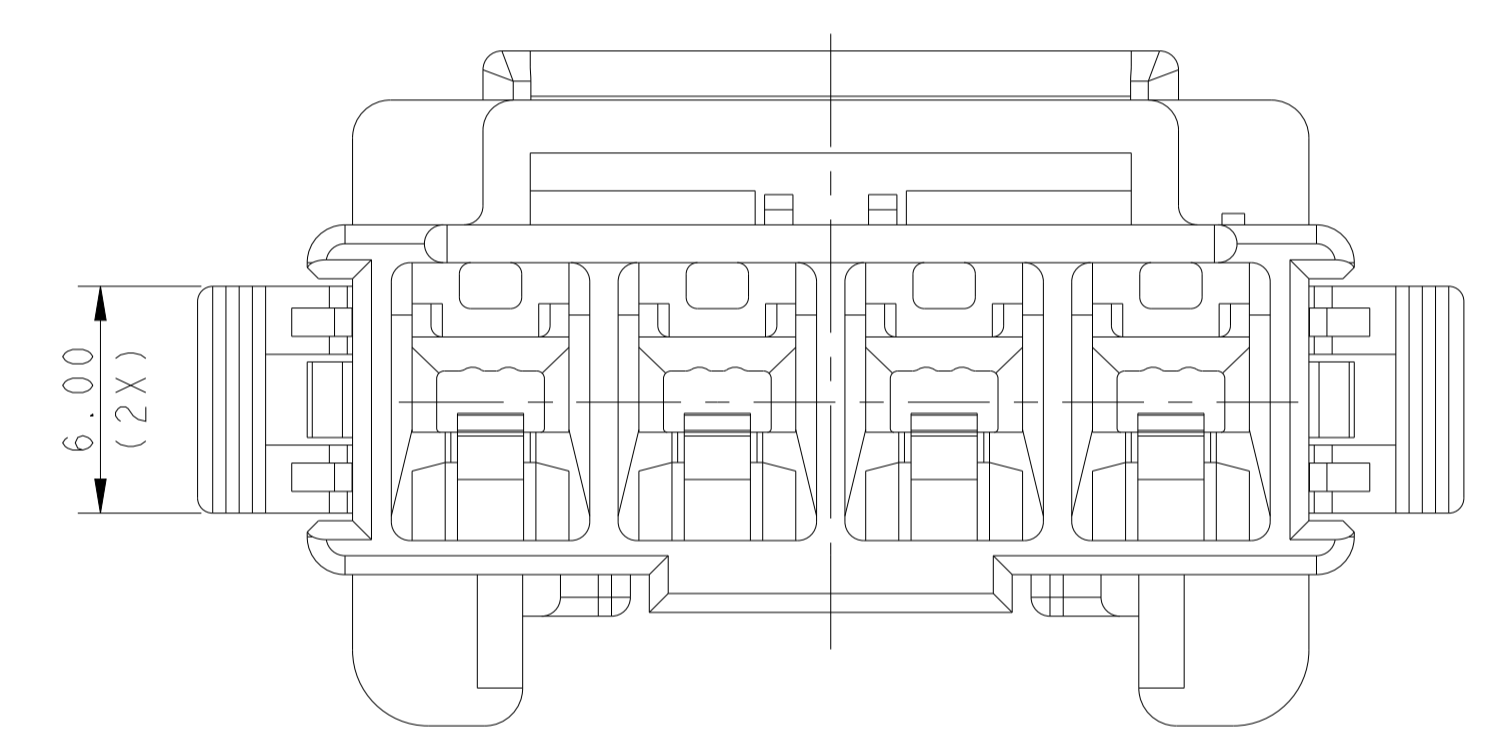
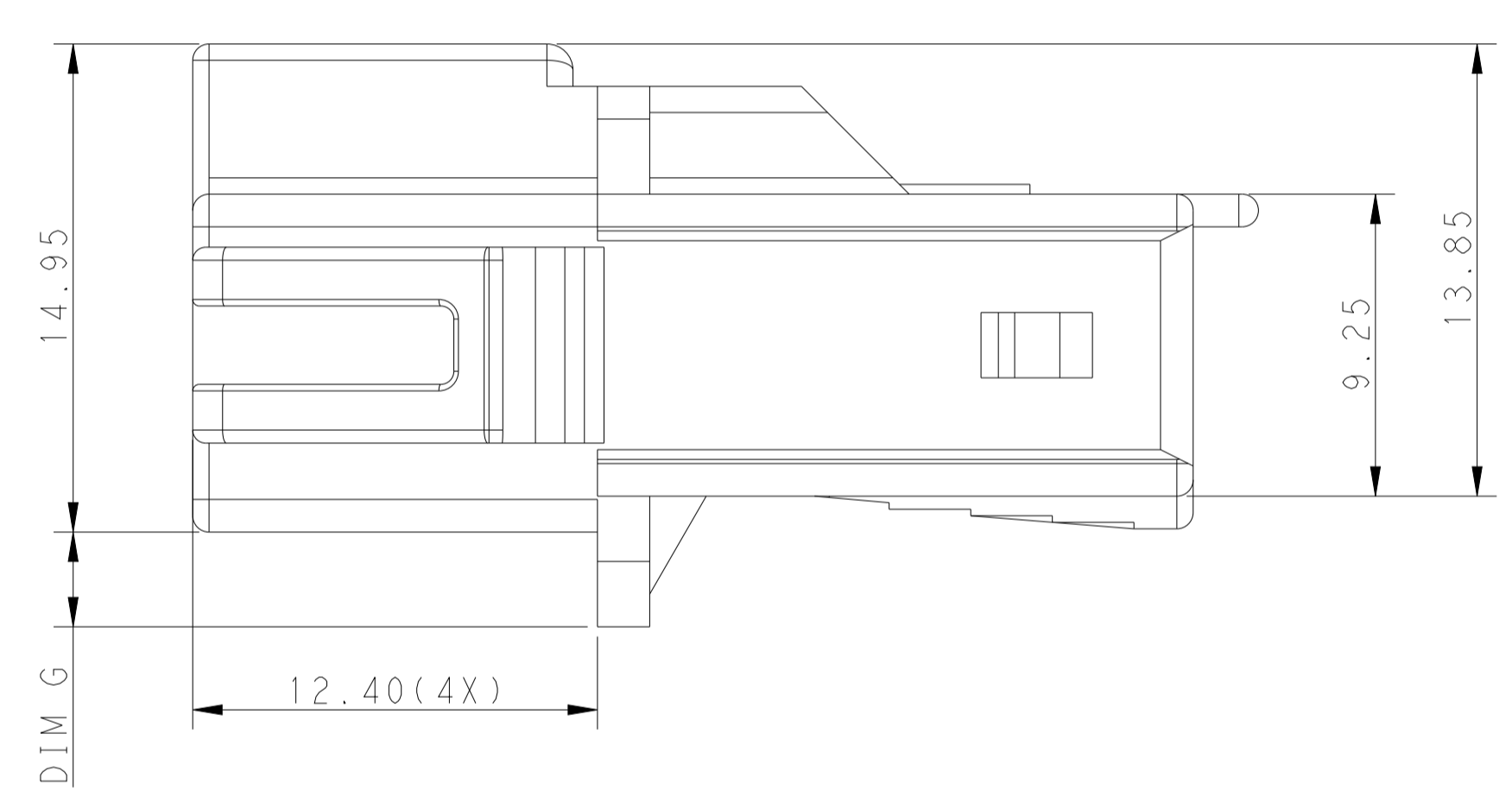
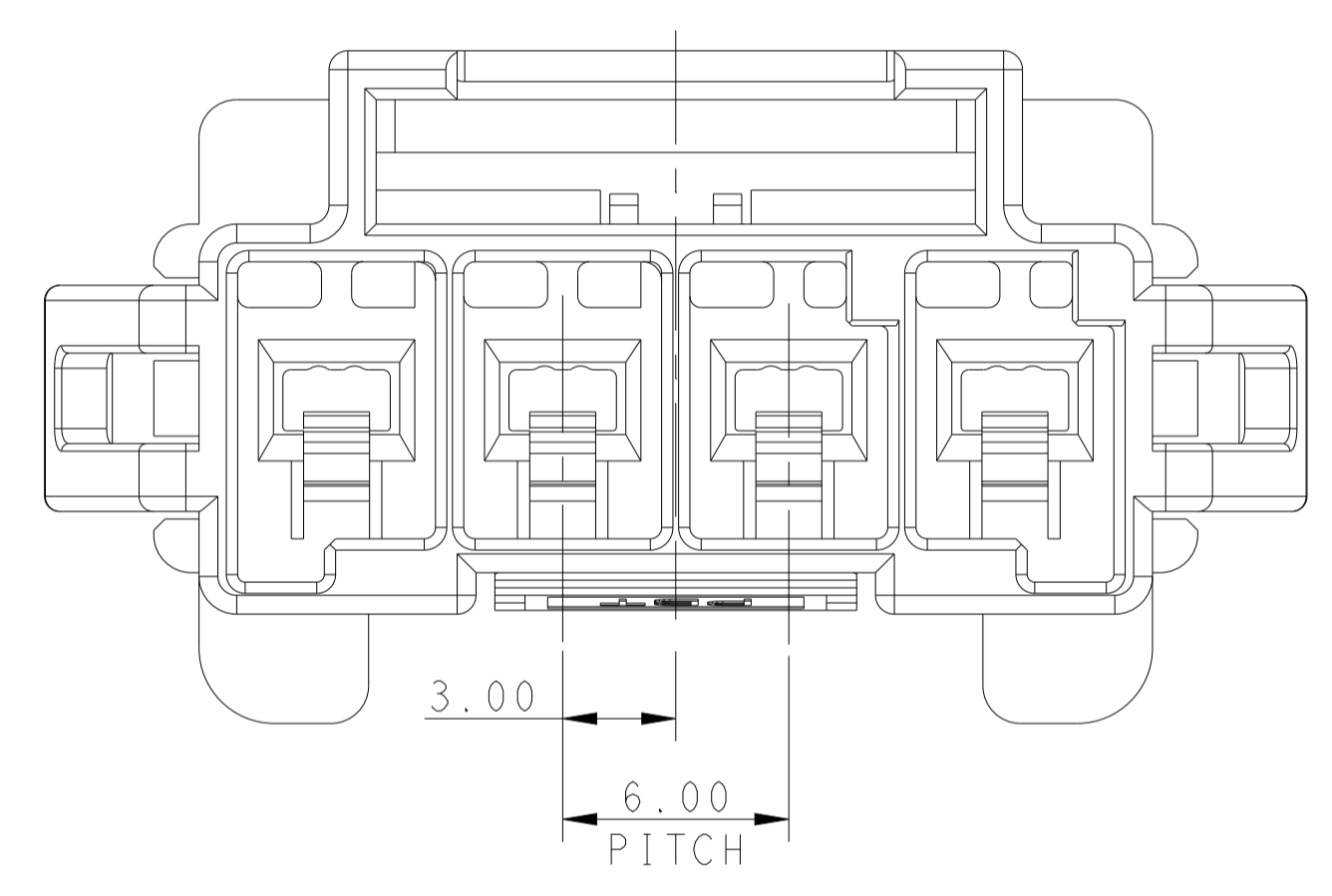


**MATERIAL:**  
 LEVEL A: PA66 GLASS FILLED, COMPLY WITH GLOW WIRE REQUIREMENTS FOR PARTS OF NON-METALLIC MATERIAL SUPPORTING A CURRENT-CARRYING CONNECTION DETAILED IN IEC 60335-1, SECTION 30 (GWT), UL 94V-0  
 LEVEL B: PBT GLASS FILLED, HOT WIRE IGNITION (HWI) VERSION ARE MOLDED IN A RESIN THAT COMPLIES WITH THE HOT WIRE IGNITION TEST 109-32026 AND ARE RECOMMENDED FOR USE WITH HWI HOUSINGS THAT ALSO COMPLY, UL 94V-0

- MATERIAL MARK:**  
 LEVEL A: GWT, LEVEL B: HWT
- APPLICABLE CONTACT P/N  
 TAB CONTACT: 1971238/1971780/1971782/1971784/1971786/1971788-\*, 2238067-\*
  - MATING CONN, P/N  
 PLUG HSG: \*-2232265-\*,  
 TPA (LOCK PLATE): \*-1971777-\*
  - RECOMMENDED PANEL THICKNESS: 1.0~2.0mm
  - LEVEL A MATERIAL IS SHOWN IN ALL VIEWS EXCEPT WHERE INDICATED BY NOTE 7.

RECOMMENDED PANEL OPENING DIMENSIONS FOR CAP HOUSING 1\*5 AND 1\*4 POSITIONS (TOLERANCE: ±0.15mm)

LEVEL B MATERIAL, KEY A AND B ONLY, THESE END KEYS ARE RECESSED.



RECOMMENDED PANEL OPENING DIMENSIONS FOR CAP HOUSING 1\*3 POSITION (TOLERANCE: ±0.15mm)

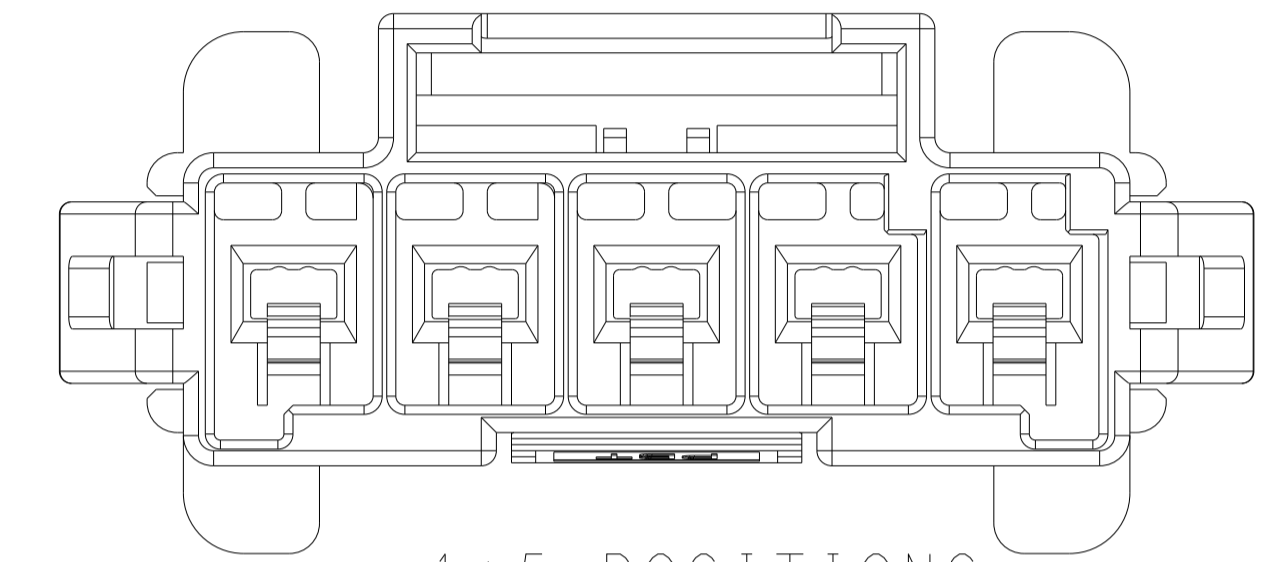
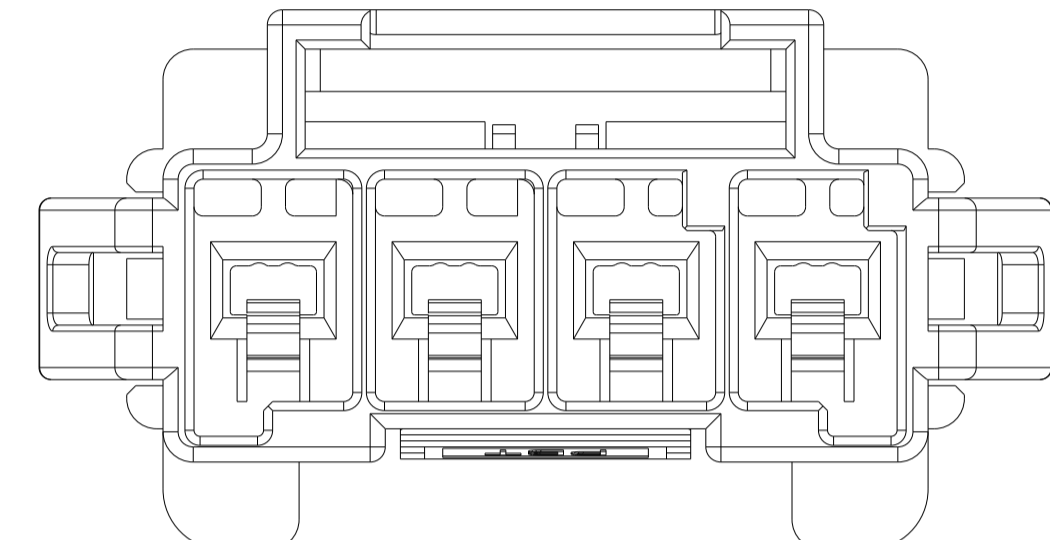
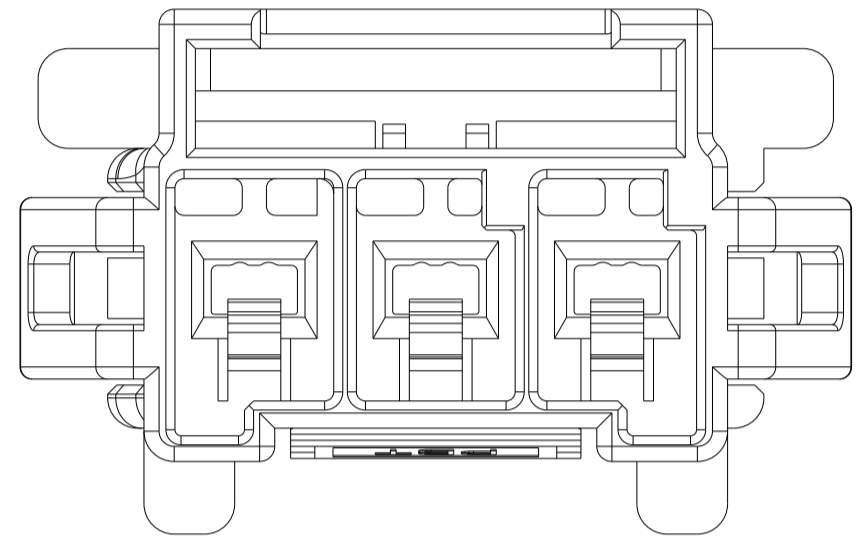
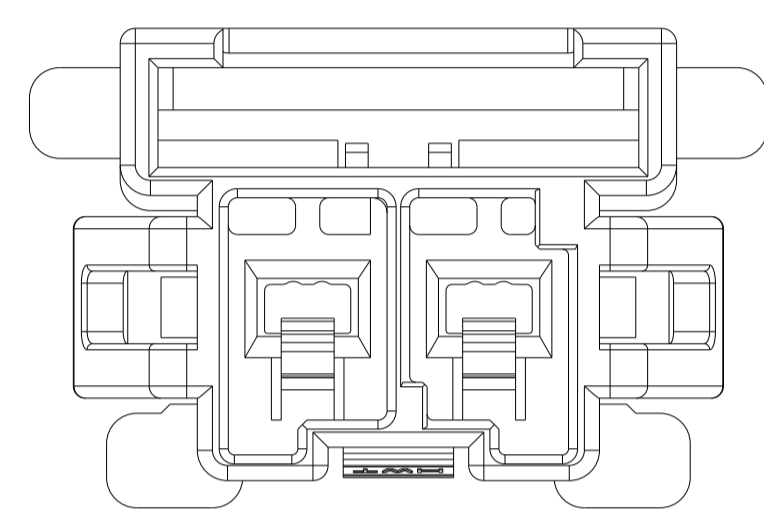
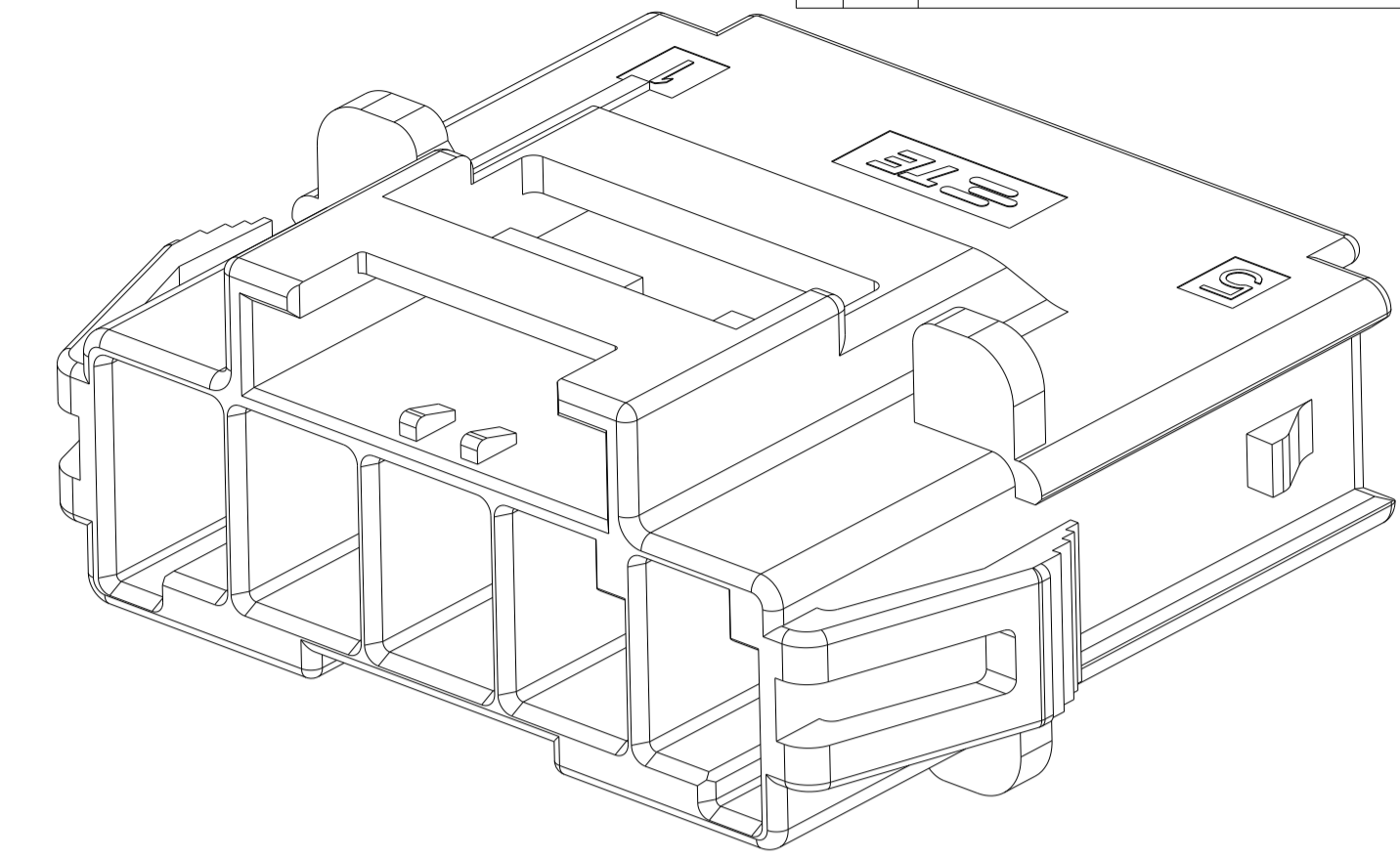
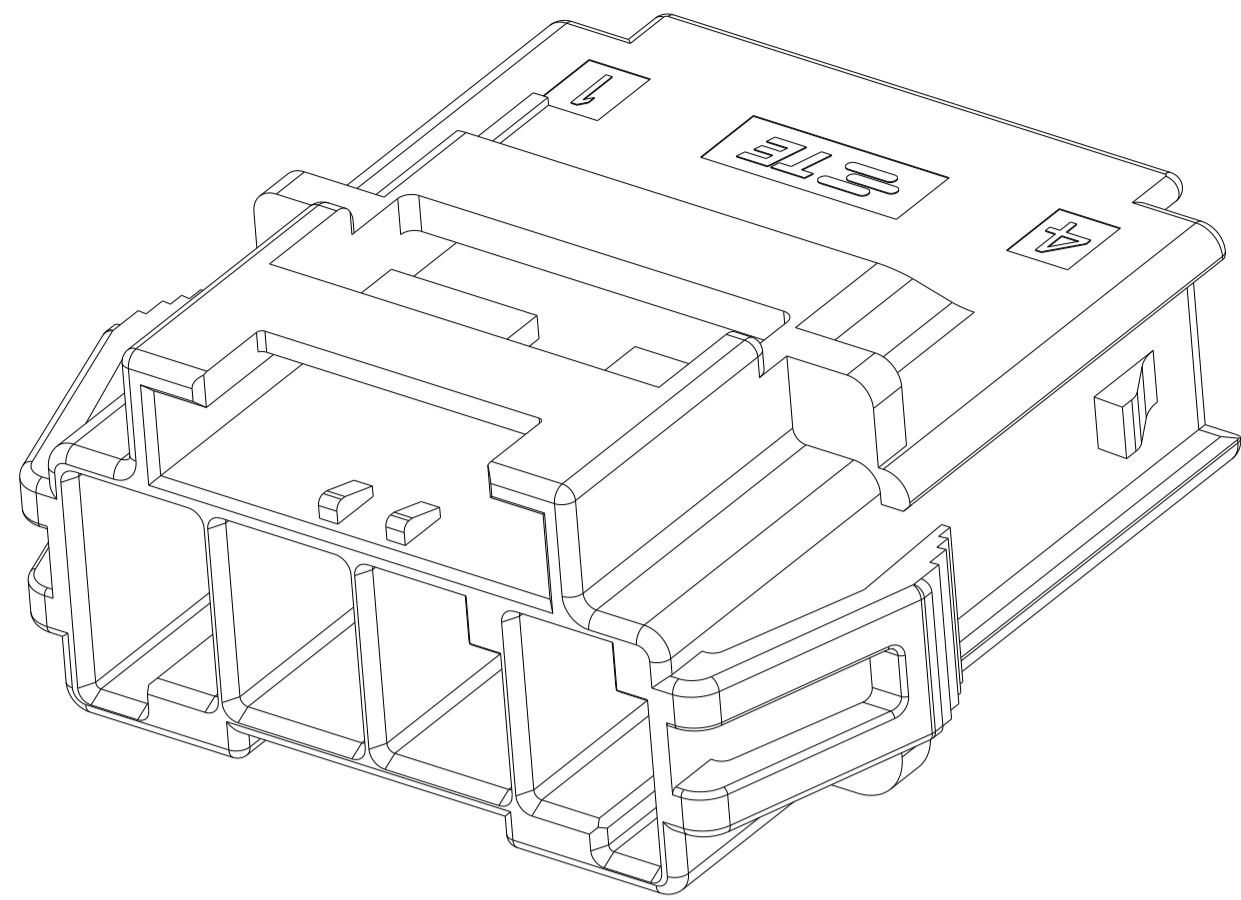
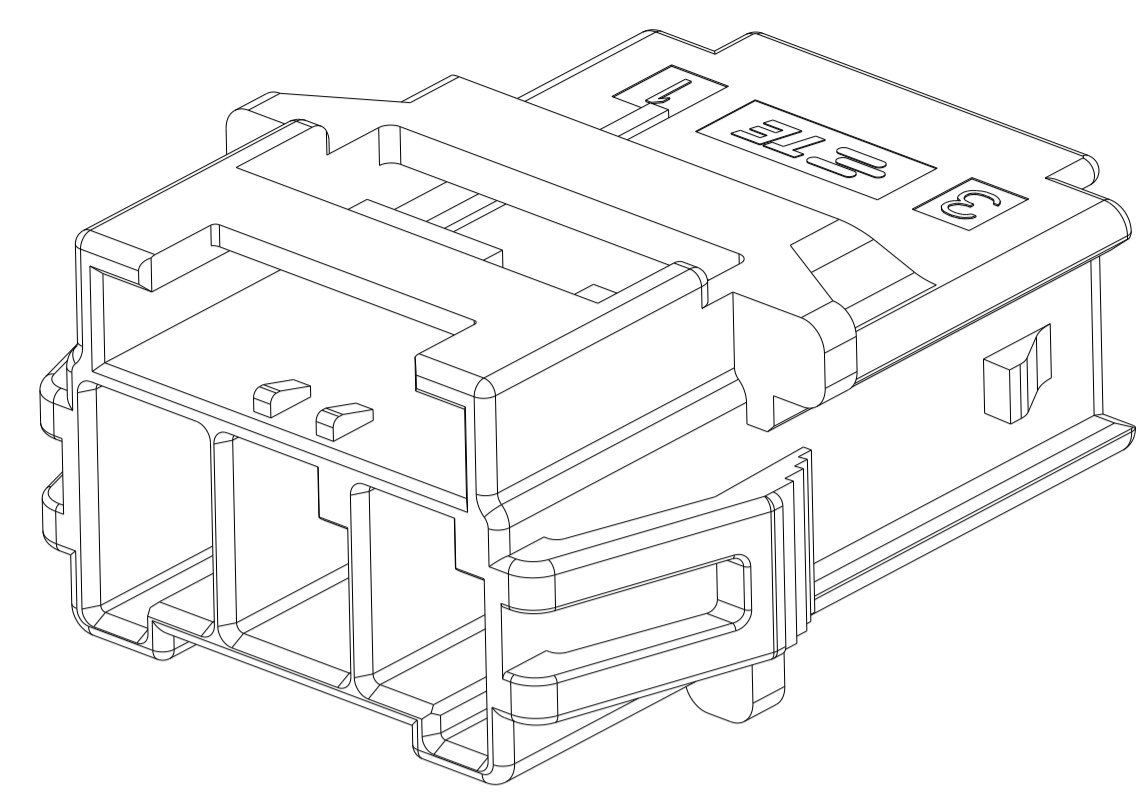
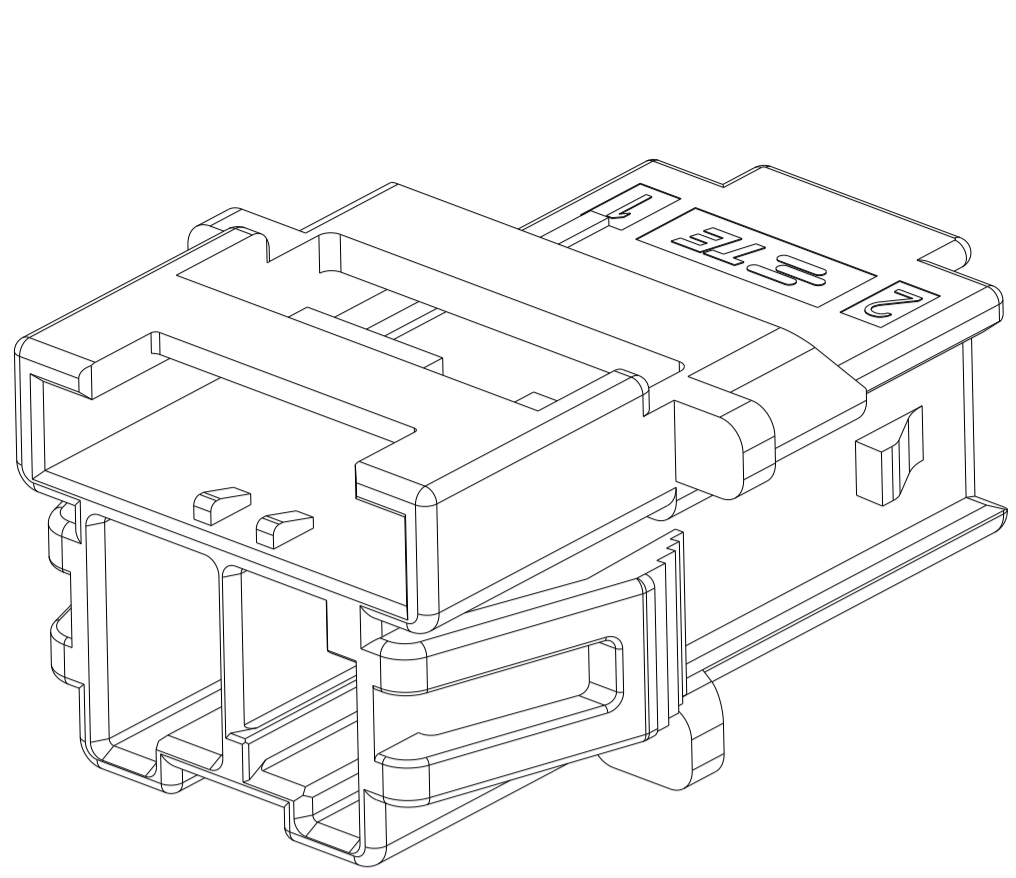
RECOMMENDED PANEL OPENING DIMENSIONS FOR CAP HOUSING 1\*2 POSITION (TOLERANCE: ±0.15mm)

POS	Dim. A	Dim. B	Dim. C	Dim. D	Dim. E	Dim. F	Dim. G
1*5	33.70	27.50	39.5	31.30	36.70	31.80	2.9
1*4	27.70	21.50	33.5	25.30	30.70	25.80	2.9
1*3	21.70	15.50	27.5	19.30			2.5
1*2	15.70	9.50	21.5	13.30			1.1

THIS DRAWING IS A CONTROLLED DOCUMENT.

DIMENSIONS: mm	TOLERANCES UNLESS OTHERWISE SPECIFIED:	DWN: TOMMY WU 26MAR2013	CHK: HAPYE WU 26MAR2013	APVD: YUHONG MAO 26MAR2013	NAME: CAP HOUSING, PANEL MOUNT, SINGLE ROW POWER TRIPLE LOCK
0 PLC ±	1 PLC ±0.35	TE Connectivity		PRODUCT SPEC	RESTRICTED TO
2 PLC ±0.25	3 PLC ±0.20	Customer Drawing		APPLICATION SPEC	SCALE 5:1 SHEET 1 OF 2 REV H
4 PLC ±	ANGLES ±	A100779C=2232263		114-106118	
MATERIAL: 1 2	FINISH: -	Customer Drawing		WEIGHT: -	

REVISIONS				
P. LTR	DESCRIPTION	DATE	OWN	APVD
-	SEE SHEET 1	-	-	-

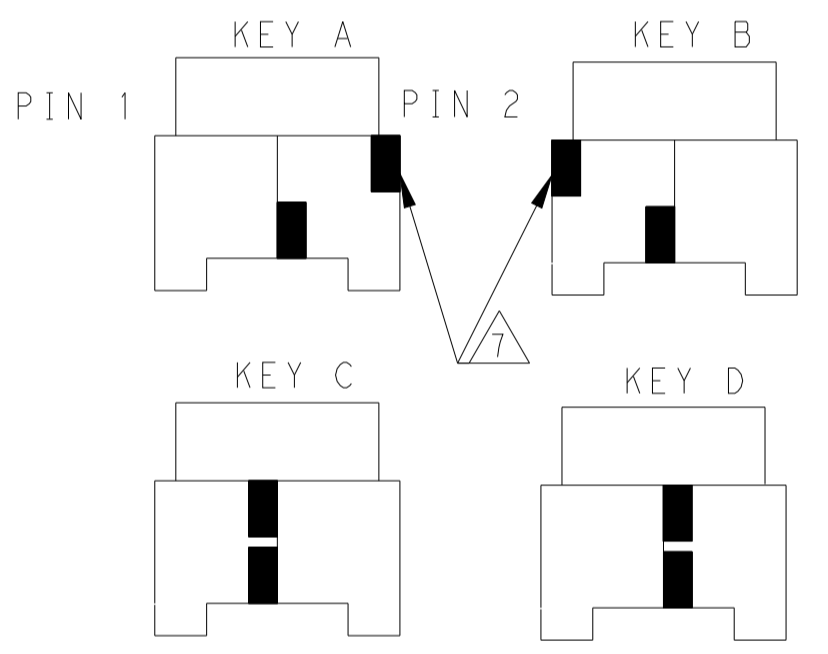


1\*2 POSITIONS

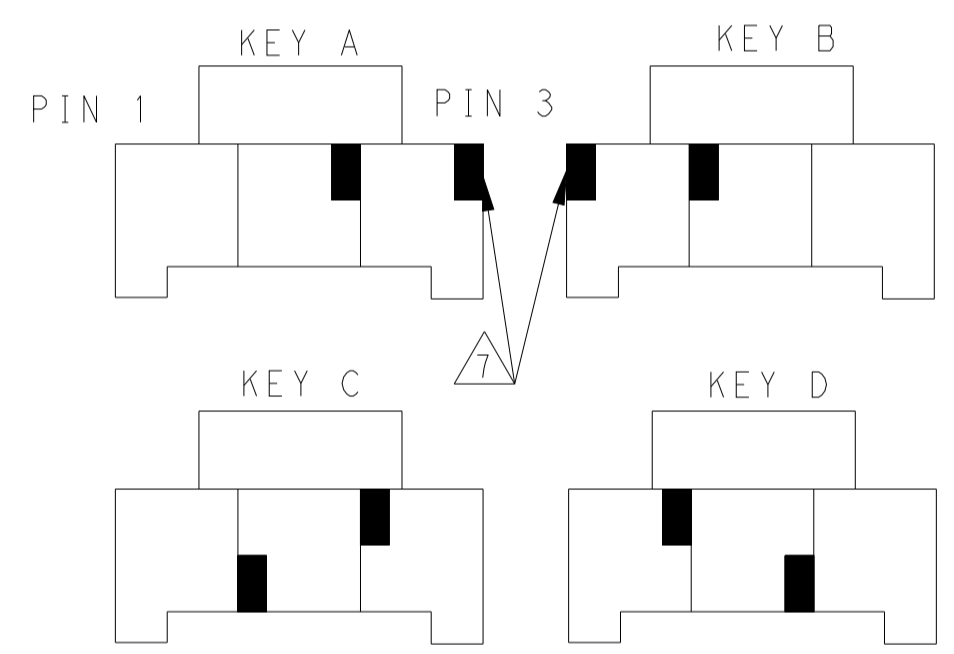
1\*3 POSITIONS

1\*4 POSITIONS

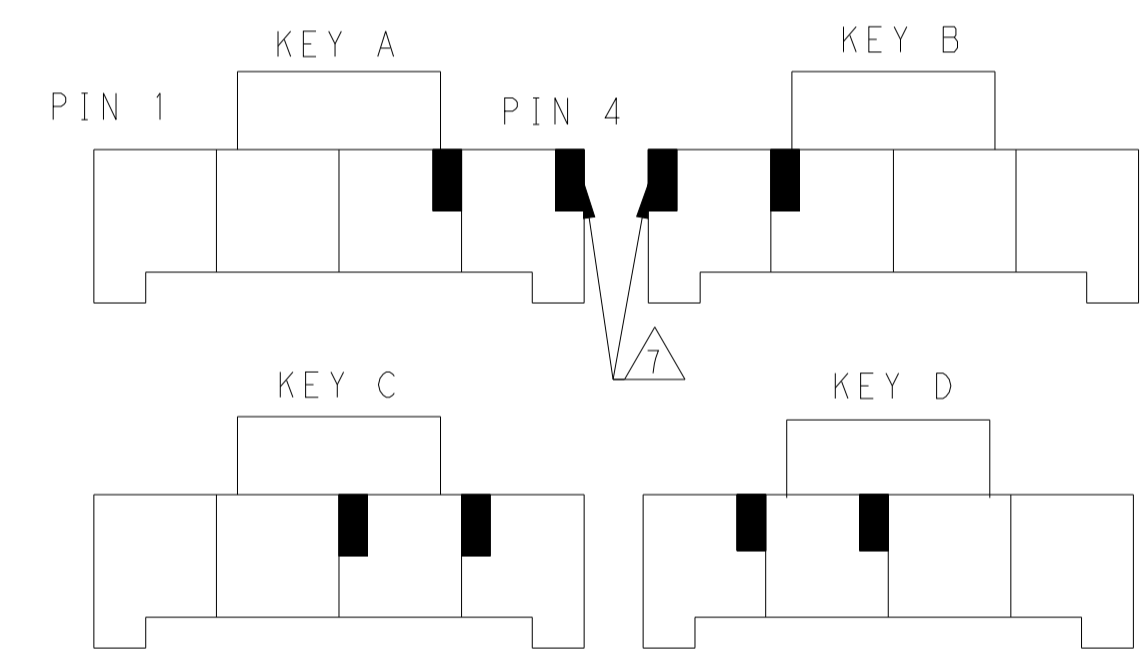
1\*5 POSITIONS



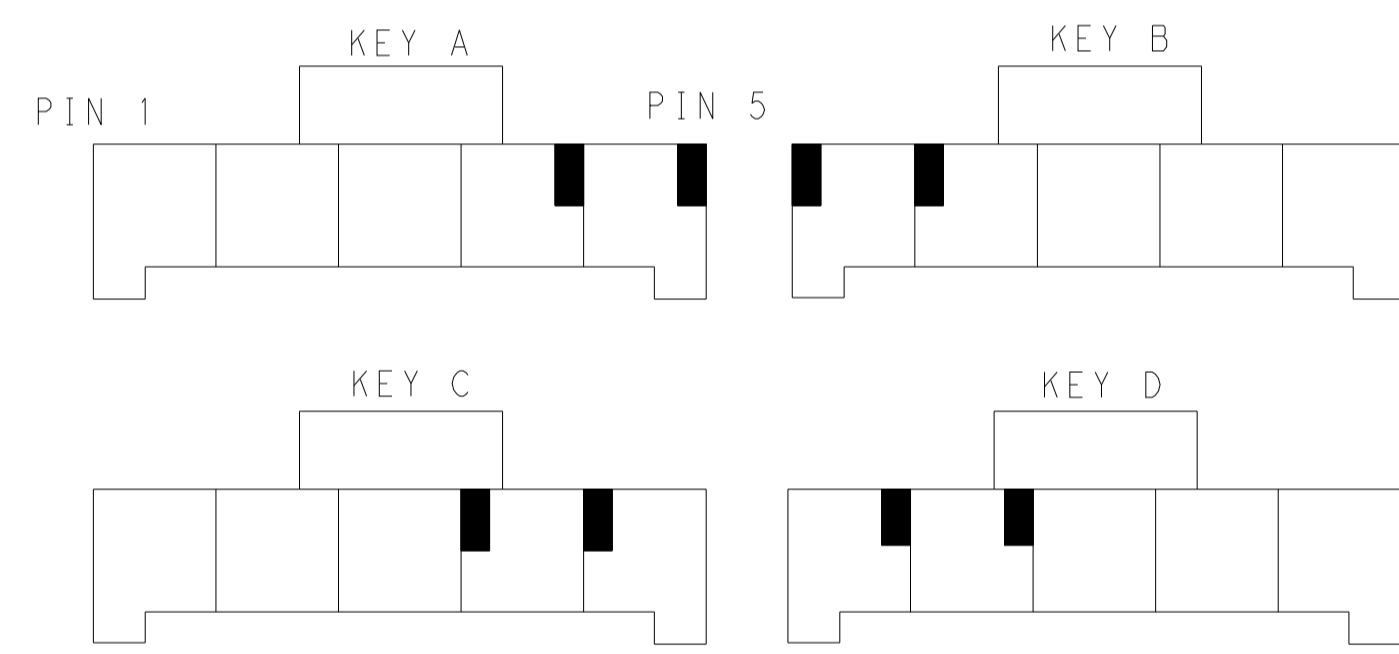
KEYING FOR 1\*2 POS.



KEYING FOR 1\*3 POS.



KEYING FOR 1\*4 POS.



KEYING FOR 1\*5 POS.

POS.	MATERIAL	COLOR	KEY	P/N
1*5	LEVEL A	DARK GREY	KEY A	5-2232263-7
		BROWN	KEY B	6-2232263-7
		GREEN	KEY C	7-2232263-7
		ORANGE	KEY D	8-2232263-7
1*4	LEVEL B	BLACK	KEY A	1-2232263-3
		DARK GREY	KEY A	5-2232263-4
		BROWN	KEY B	6-2232263-4
		GREEN	KEY C	7-2232263-4
1*4	LEVEL A	ORANGE	KEY D	8-2232263-4
		BLACK	KEY A	1-2232263-2
		DARK GREY	KEY A	5-2232263-3
		BROWN	KEY B	6-2232263-3
1*3	LEVEL A	GREEN	KEY C	7-2232263-3
		ORANGE	KEY D	8-2232263-3
		DARK GREY	KEY A	5-2232263-2
		BROWN	KEY B	6-2232263-2
1*2	LEVEL A	GREEN	KEY C	7-2232263-2
		ORANGE	KEY D	8-2232263-2
		NATURAL	KEY B	2-2232263-1
		BLACK	KEY A	1-2232263-1
1*2	LEVEL B	BLACK	KEY A	1-2232263-1

THIS DRAWING IS A CONTROLLED DOCUMENT.

OWN: TOMMY WU 26MAR2013  
 CHK: HAPYE WU 26MAR2013  
 APVD: YUHONG MAO 26MAR2013

TE Connectivity

NAME: CAP HOUSING, PANEL MOUNT, SINGLE ROW POWER TRIPLE LOCK

PRODUCT SPEC: 108-106118  
 APPLICATION SPEC: 114-106118

SIZE: A1  
 CAGE CODE: 00779  
 DRAWING NO: C=2232263

RESTRICTED TO: -

SCALE: 5:1 SHEET: 2 OF 2 REV: H

Customer Drawing