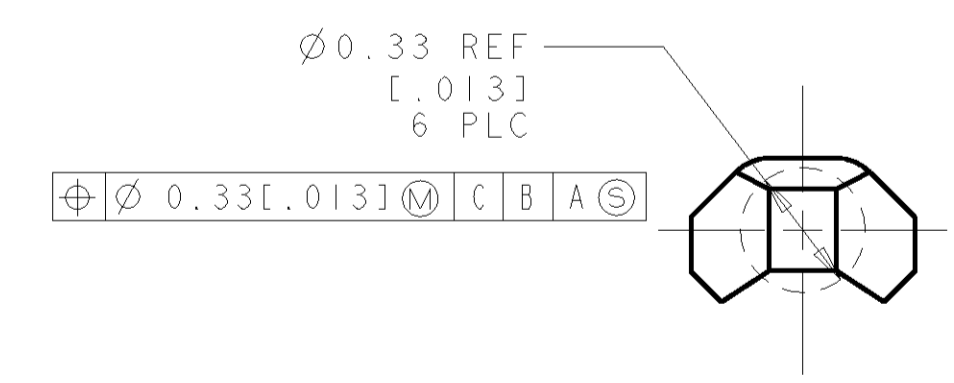
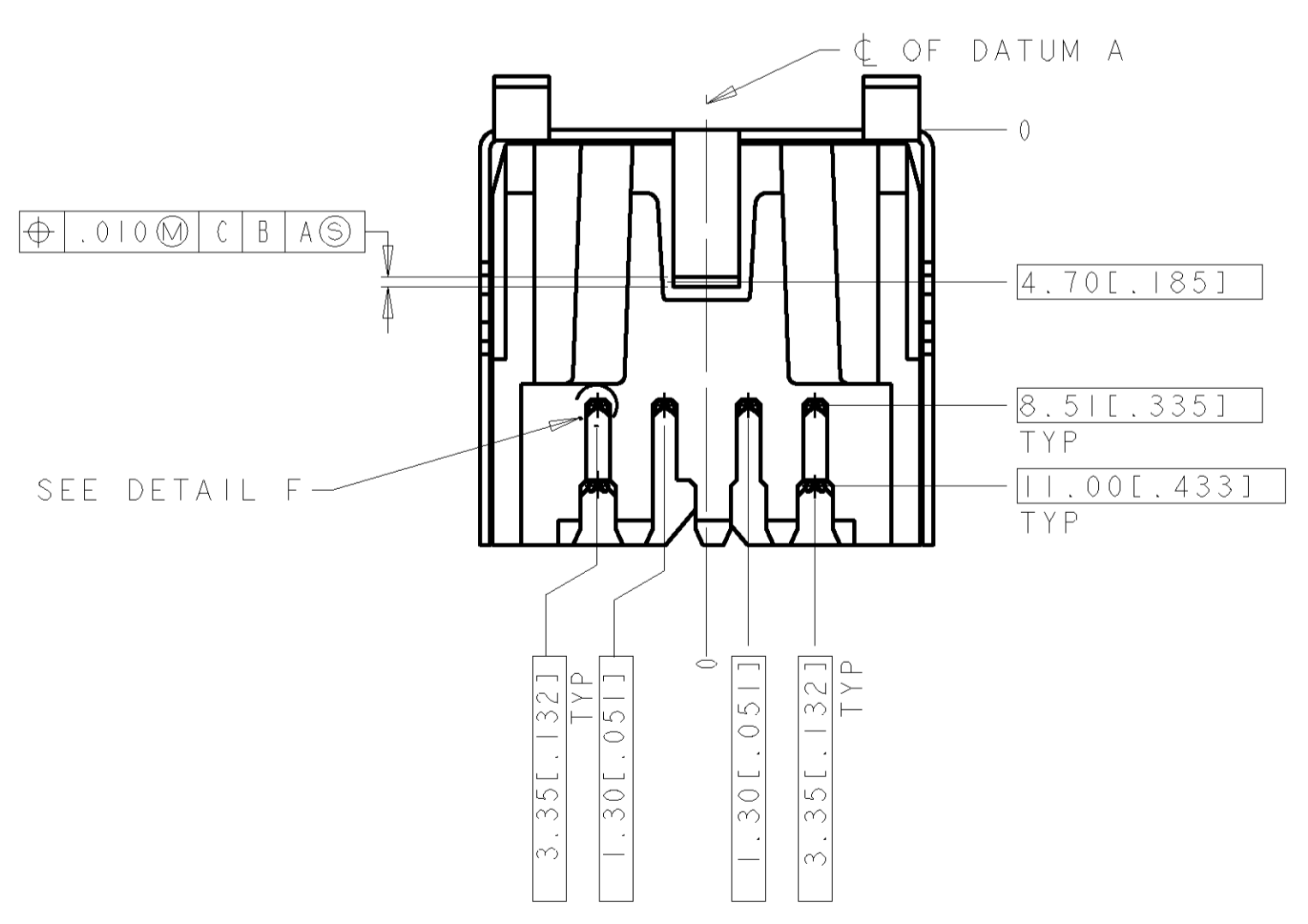
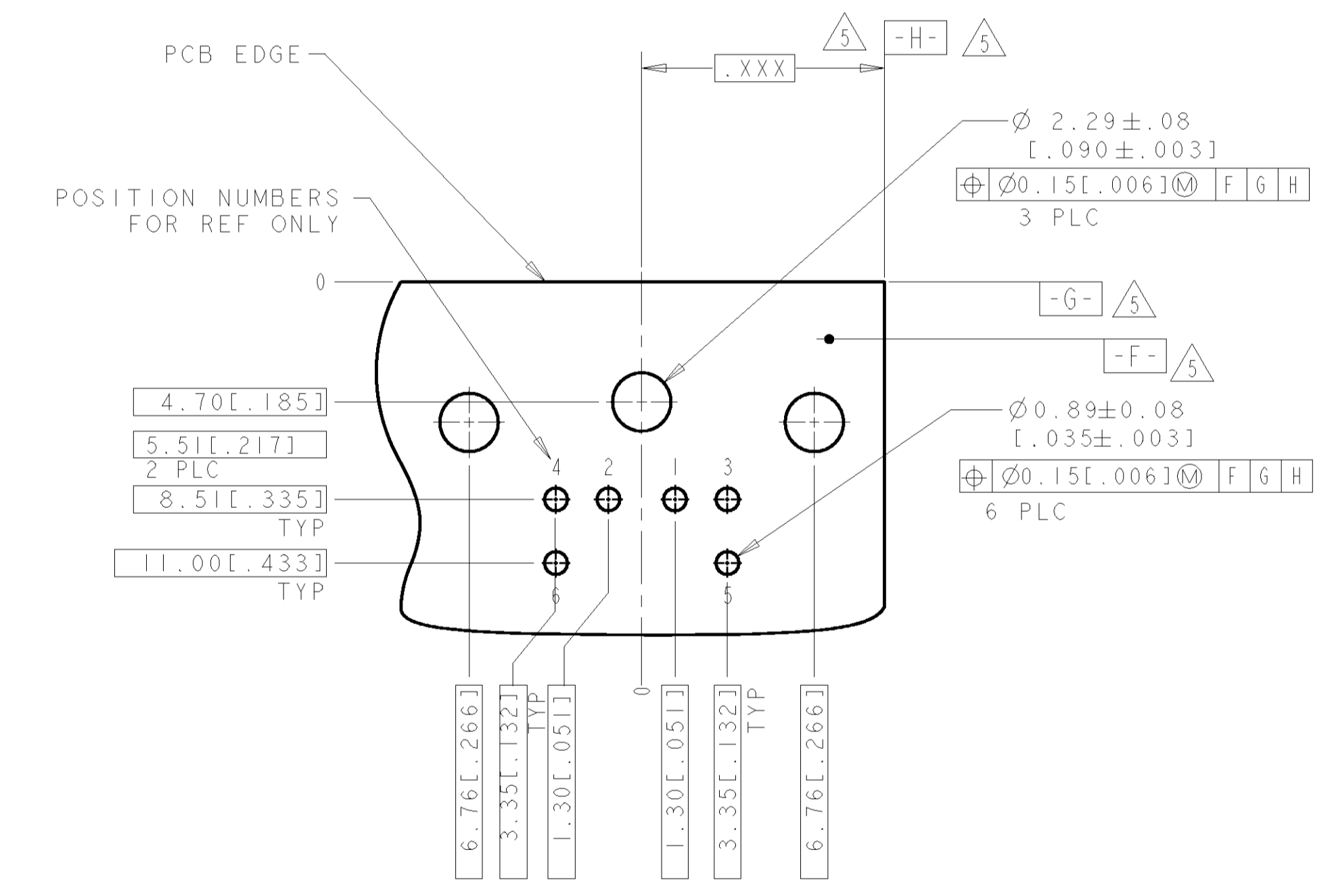
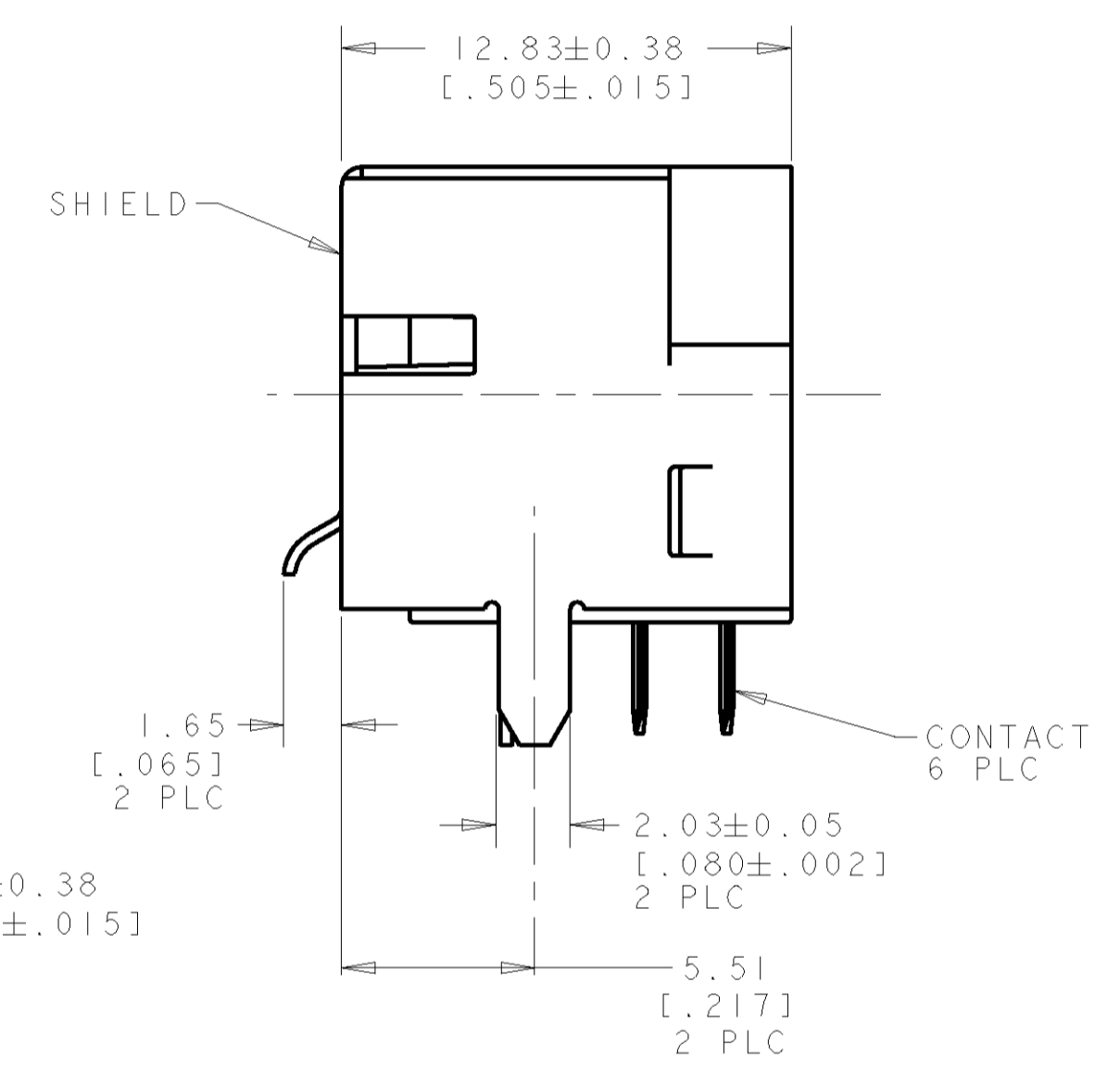
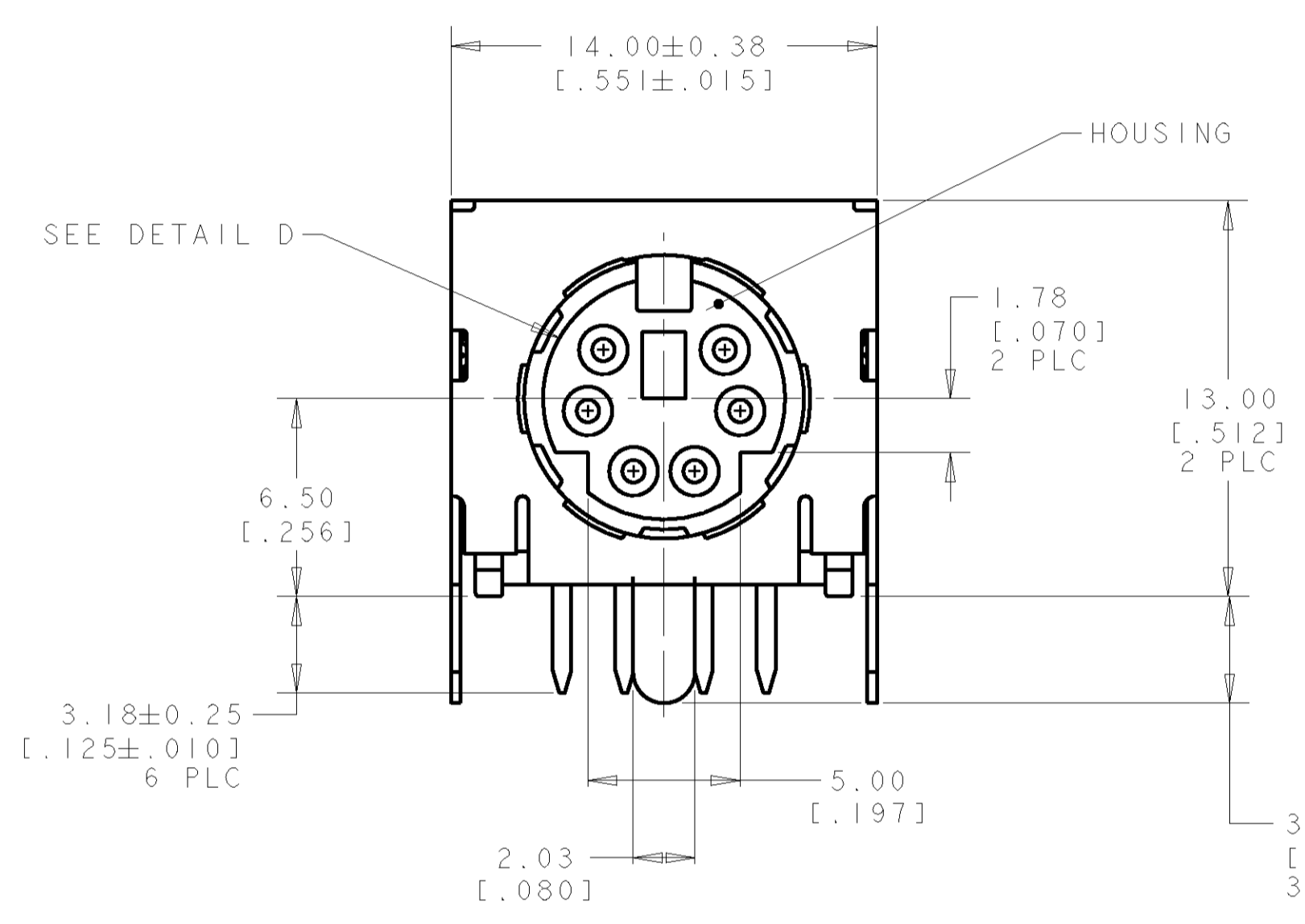


- △ SHIELD & CONTACTS: COPPER ALLOY.
HOUSING: POLYESTER, UL 94V-0 RATED, BLACK.
- △ 0.76 μm [.000030] MIN GOLD FOR A LENGTH OF 1.27 [.050] MIN FROM MATING END, 3.05 μm [.000120] MIN MATTE-TIN ON OPPOSITE END, BOTH OVER 1.27 μm [.000050] MIN NICKEL.
- △ 1.50-4.00 μm [.000059-.000158] THICK BRIGHT TIN.
- △ GOLD PLATING PER MIL-G-45204, TIN PLATING PER MIL-T-10727, NICKEL PLATING PER QQ-N-290.
- △ DATUMS AND BASIC DIMENSION SUPPLIED BY CUSTOMER.



RECOMMENDED PC BOARD LAYOUT
BOTTOM VIEW

P/N: 5750071-1 AS SHOWN

DIMENSIONS: mm [INCHES]		TOLERANCES UNLESS OTHERWISE SPECIFIED:		DW: WYLEE 05JAN2005		TE Connectivity	
0 PLC	±	1 PLC	±	DR: SF LEONG	NAME: RECEPTACLE ASSY. FRONT PANEL		APPLICATION SPEC: 108-1225 PRODUCT SPEC: MINIATURE CIRCULAR DIN
1 PLC	±0.13(.005)	2 PLC	±	APPD: SF LEONG	SIZE: A1		
3 PLC	±	4 PLC	±	CAGE CODE: 00779	DRAWING NO: 5750071		SCALE: 5:1 SHEET 1 OF 1 REV P
5 PLC	±	6 PLC	±	WEIGHT: -	CUSTOMER DRAWING		