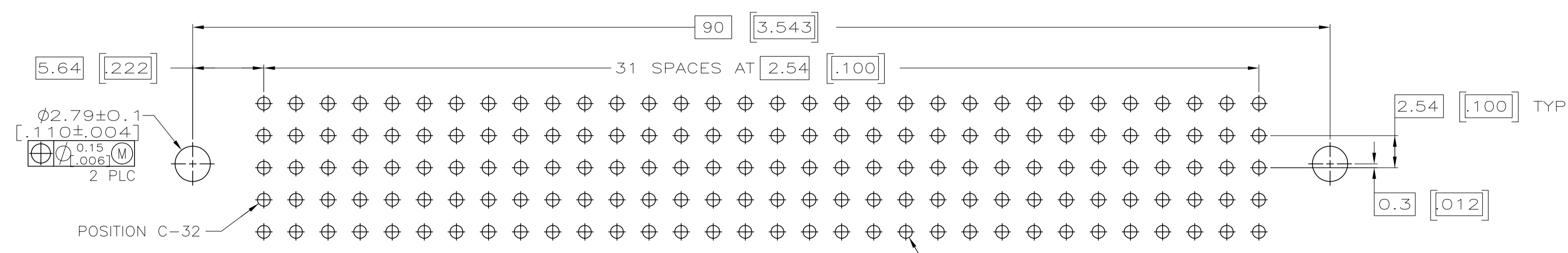
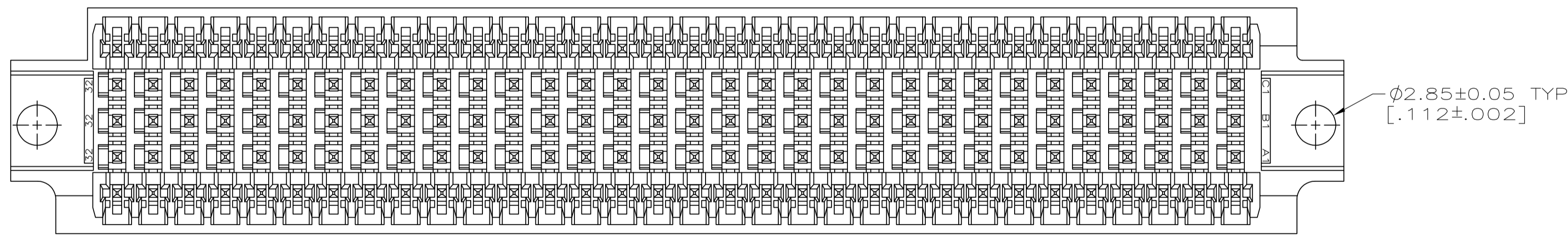
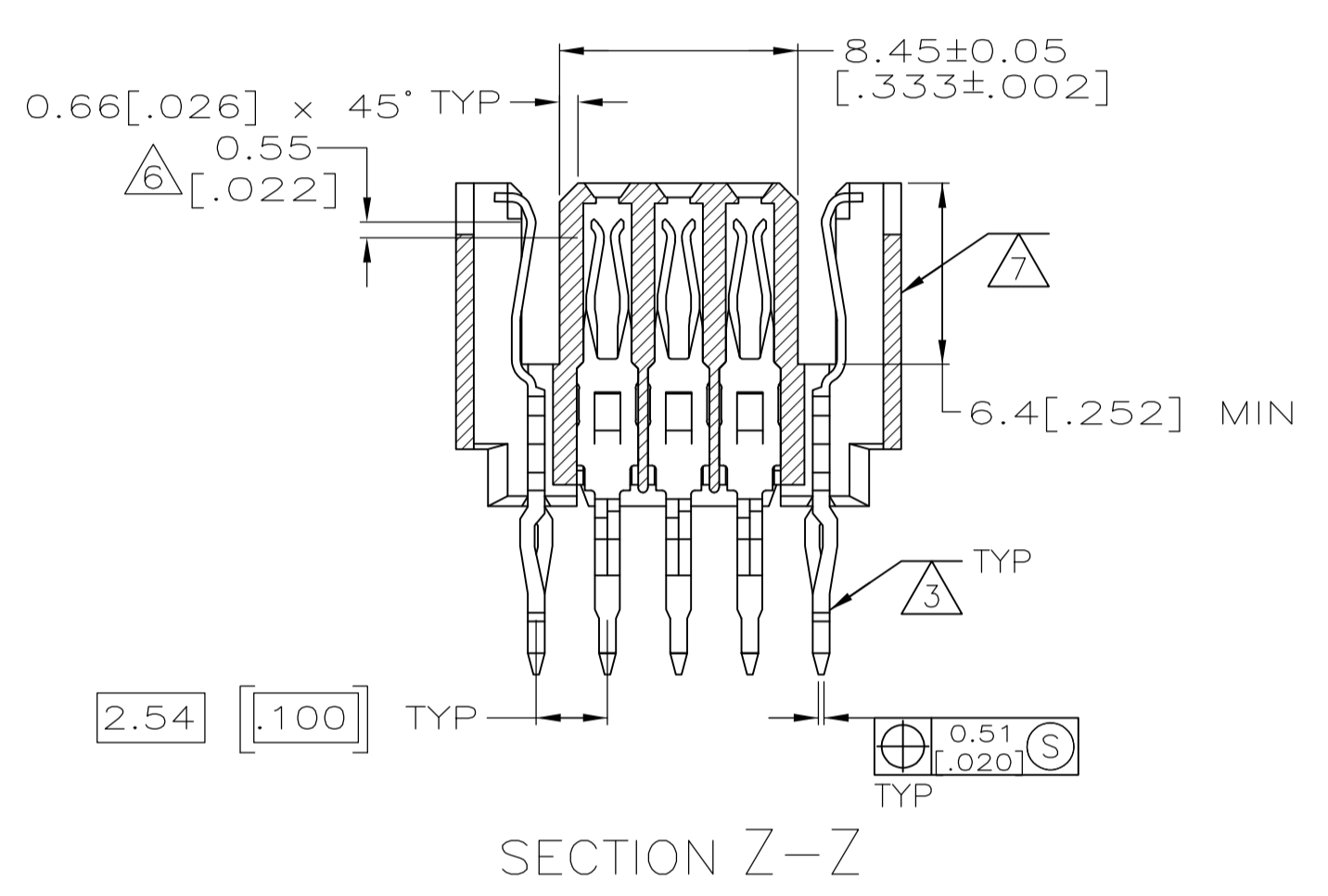
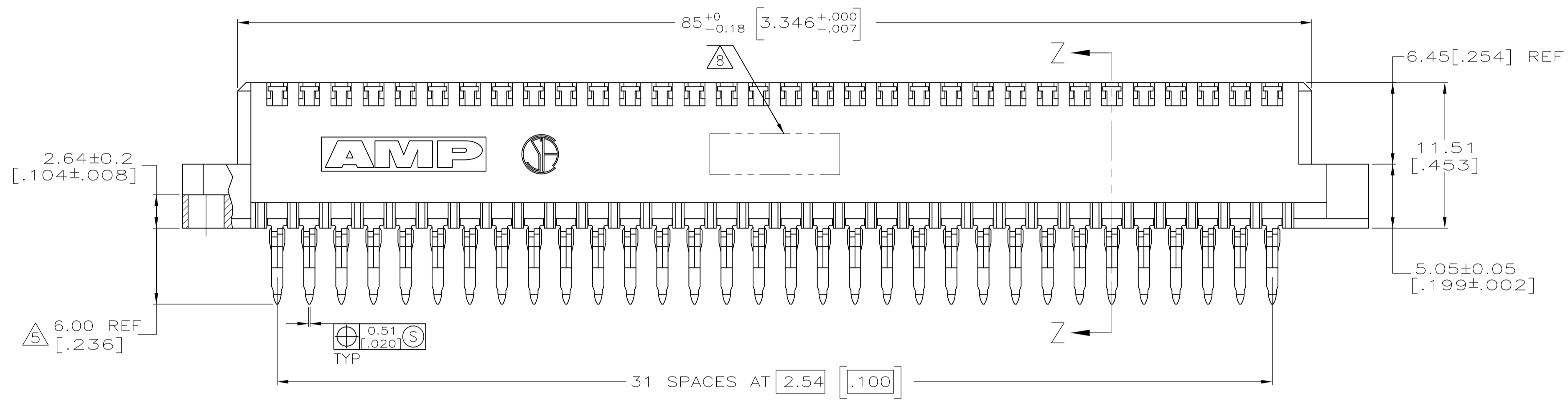
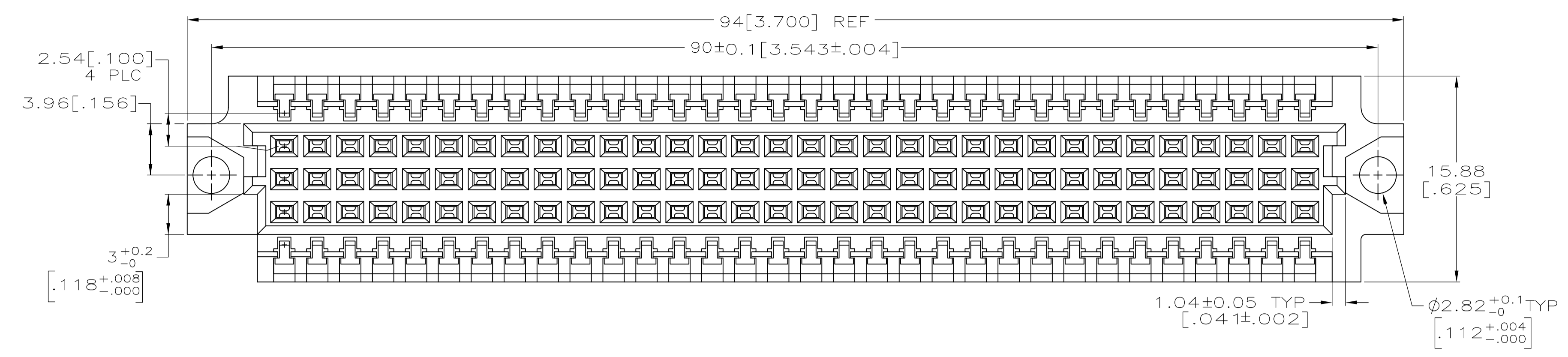


- 1 HOUSING MATERIAL: GLASS-FILLED POLYMER.
- 2 CONTACT MATERIAL: COPPER ALLOY.
- 3 CONTACT FINISH: DIN 41612 CLASS 2 IN CONTACT AREA TIN ON TAILS.
- 4 ACTION PIN POSTS REQUIRE 1.57[.062] MINIMUM THICK PC BOARD. RECOMMENDED PC BOARD DRILLED HOLES ARE $\phi 1.15 \pm 0.025$ [.0453 \pm .0010] WITH 0.02-0.08 [.001-.003] COPPER AND 0.008 [.0003] MINIMUM TIN PLATING. FINISHED HOLE AFTER PLATING IS $\phi 1.02 \pm 0.08$ [.040 \pm .003].
- 5 TAIL LENGTH AFTER SEATED IN PC BOARD.
- 6 CONTACT POINT AFTER SEATED IN PC BOARD.
- 7 MARKING ON THIS SIDE.
- 8 PART NUMBER AND DATE CODE IN THIS APPROXIMATE AREA.



PC BOARD LAYOUT

$\phi 1.004 \pm 0.1$ M 160 PLC 4

5148452-5
PART NUMBER

THIS DRAWING IS A CONTROLLED DOCUMENT.		DIN J. POLIGNONE 14APROD	TE Connectivity	
DIMENSIONS: mm [INCHES]		CHK A. SHARPE 14APROD		
TOLERANCES UNLESS OTHERWISE SPECIFIED:		APVD A. SHARPE 14APROD	NAME ASSEMBLY, RECEPTACLE, ENHANCED, TYPE C, EUROCARD, 5-ROW, PRESS-FIT, 6.00[.236]	
0 PLC \pm -	1 PLC \pm -	PRODUCT SPEC	SIZE A1	
2 PLC \pm 0.13[.005]	3 PLC \pm -	APPLICATION SPEC	CAGE CODE	DRAWING NO
4 PLC \pm -	ANGLES \pm -	WEIGHT	00779	5148452
MATERIAL 1 2 3		FINISH 3	CUSTOMER DRAWING	
		SCALE 4:1	SHEET 1 OF 1	REV B