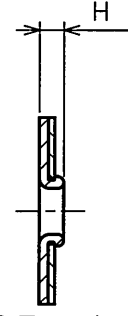
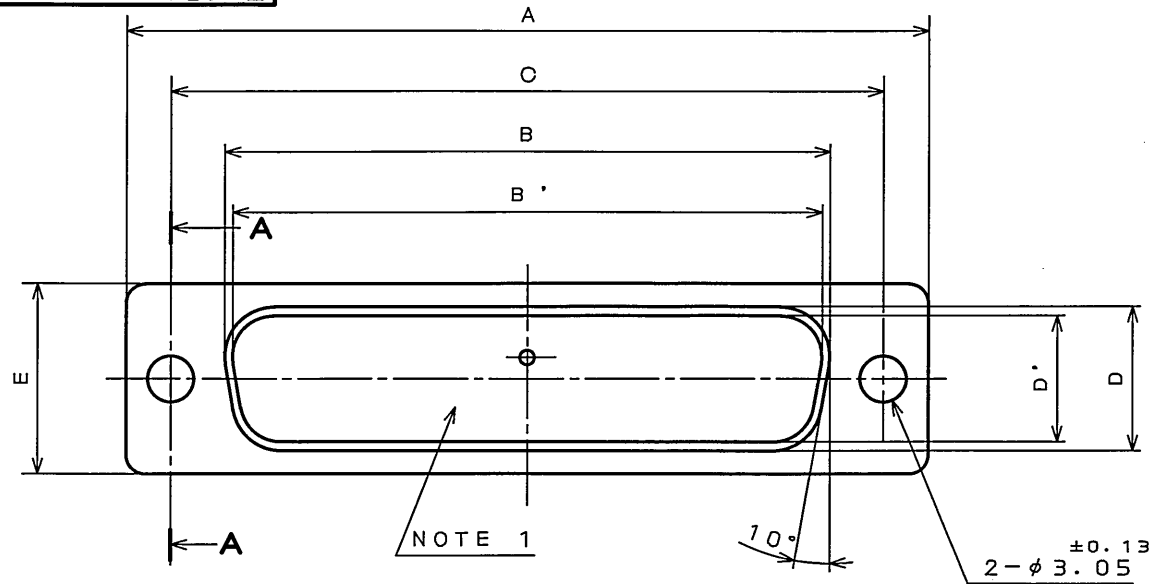


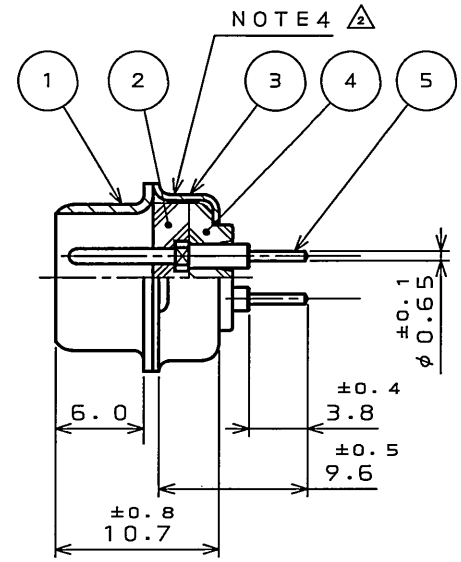
8Z0E01RS
(ON 0NIMVHD)台要図

| 版数 REV. | 年月日 DATE | DCN NO. | 変更内容 DESCRIPTION | 製図 DR. | 担当 CHK. | 査閲 APPD. | 承認 APPD. |
|------------|-------------|---------|---------------------|-----------|------------|-------------|-------------|
| 2 | 13.0ct.2005 | 058374 | ADD NOTE4 | | Y.TAKA01 | A. Sago | [Signature] |

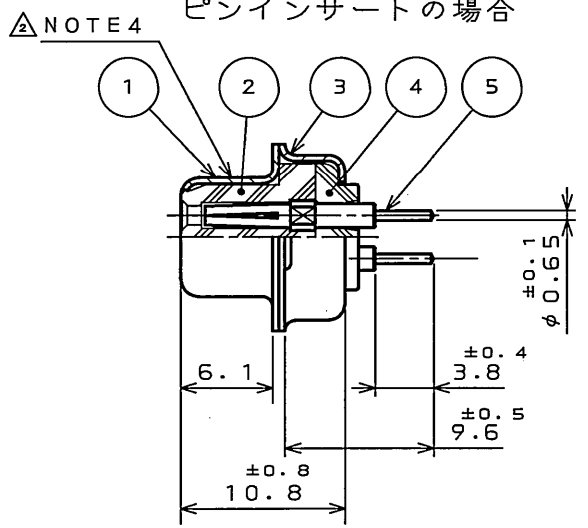


SECT. A-A

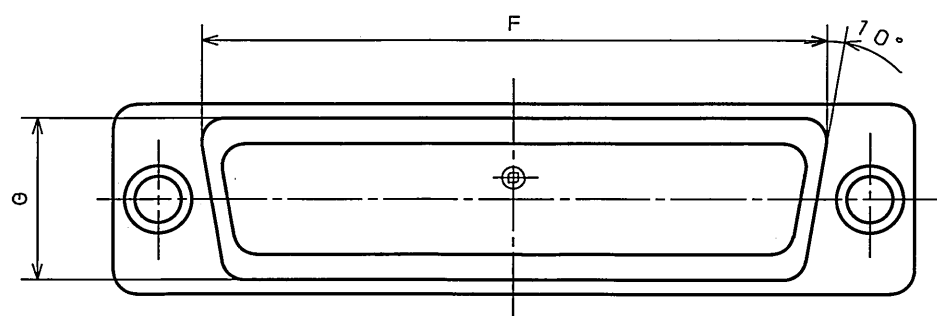
- NOTE1. MARK THE COMPANY NAME AND ABBREVIATED PART NUMBER AT THE LOCATION SHOWN IN THE DRAWING.
 2. FOR CONTACT ARRANGEMENT, SEE DWG. NO. SJ010210.
 3. FOR PANEL CUT-OUT DIMENSION, SEE DWG. NO. SJ013596.
 △ NOTE 4. LOT NUMBER AT THE LOCATION SHOWN IN THE DRAWING.
 注1. 図示の位置に社名及び、品名略称を表示する。
 2. インサート配列SJ010210を参照のこと。
 3. パネル取付穴寸法はSJ013596を参照のこと。
 △ 4. 図示の位置にロット番号を表示する。



PIN INSERT VERSION



SOCKET INSERT VERSION



DESIGNATION

命名法
 D * - * * - T R
 MODIFICATION CODE
 特殊記号
 THROUGH HOLE CONTACT TYPE
 スルーホールタイプ
 CONTACT TYPE
 (S: SOCKET, P: PIN)
 コンタクト区分
 INSERT ARRANGEMENT
 インサート配列
 SHELL SIZE
 シェルサイズ
 SERIES
 シリーズ

TABLE 1

| PART NUMBER | DIMENSION IN MILLIMETERS | | | | | | | | | | No. OF CONTACT |
|-------------|--------------------------|------------|-------------|------------|------------|-------------|-----------|------|------|-----|----------------|
| | ±0.5 A | ±0.25 B | ±0.25 B' | ±0.13 C | ±0.25 D | ±0.25 D' | ±0.5 E | F | G | H | |
| DE-9P-TR | 30.8 | | 16.90 | 24.99 | | 8.34 | 12.6 | 19.3 | 10.7 | 1.2 | 9 |
| DE-9S-TR | 30.8 | 16.26 | | 24.99 | 7.82 | | 12.6 | 19.3 | 10.7 | 1.2 | |
| DA-15P-TR | 39.1 | | 25.24 | 33.32 | | 8.34 | 12.6 | 27.5 | 10.7 | 1.2 | 15 |
| DA-15S-TR | 39.1 | 24.59 | | 33.32 | 7.82 | | 12.6 | 27.5 | 10.7 | 1.2 | |
| DB-25P-TR | 53.0 | | 39.01 | 47.04 | | 8.40 | 12.6 | 41.3 | 10.7 | 1.5 | 25 |
| DB-25S-TR | 53.0 | 38.30 | | 47.04 | 7.82 | | 12.6 | 41.3 | 10.7 | 1.2 | |
| DC-37P-TR | 69.3 | | 55.47 | 63.50 | | 8.40 | 12.6 | 57.7 | 10.7 | 1.5 | 37 |
| DC-37S-TR | 69.3 | 54.76 | | 63.50 | 7.82 | | 12.6 | 57.7 | 10.7 | 1.2 | |
| DD-50P-TR | 66.9 | | 52.86 | 61.11 | | 11.16 | 15.4 | 55.3 | 13.9 | 1.5 | 50 |
| DD-50S-TR | 66.9 | 52.34 | | 61.11 | 10.65 | | 15.4 | 55.3 | 13.9 | 1.2 | |

| | | | | | |
|--------|-----------------|---------|------------------|----------------------------------------------------------------------------------------|------------|
| 5 | CONTACT | TABLE 1 | COPPER ALLOY | GOLD PLATING | NOTE 2 |
| 4 | REAR INSULATOR | 1 | GLASS FILLED PBT | (COLOR: BLACK) | UL94V-0 |
| 3 | REAR SHELL | 1 | STEEL | HEXAVALENT CHROMIUM FREE CHROMATE (TRIVALENT CHROMATE TREATMENT) ON ELECTROPLATED ZINC | |
| 2 | FRONT INSULATOR | 1 | GLASS FILLED PBT | (COLOR: BLACK) | UL94V-0 |
| 1 | FRONT SHELL | 1 | STEEL | HEXAVALENT CHROMIUM FREE CHROMATE (TRIVALENT CHROMATE TREATMENT) ON ELECTROPLATED ZINC | |
| 符号 NO. | 名称 DESCRIPTION | 個数 QTY. | 材料 MATERIAL | 仕上 FINISH | 備考 REMARKS |

| | | | | |
|------------------------------|------------------------------------|-------------------------------|--------------------------------|------------------------------------------------------------------|
| 仕様書 (SPECIFICATION) | 第1版 (ORIGINAL DATE) 24.Jun.2005 | 尺度 (SCALE) 2:1 | シリーズ (SERIES) Dsub | 日本航空電子工業株式会社 JAPAN AVIATION ELECTRONICS INDUSTRY, LTD. JAE |
| 製図 DR. | 製図 DR. | 名称 (TITLE) D * - * * - T R | 図面番号 (DRAWING NO.) SJ103078 | |
| 公差 (GENERAL TOLERANCE) | 担当 CHK. Y.TAKA01 | 質量 (MASS) | 版数 (REV.) 2 | |
| 寸法 (DIMENSION) / 角度 (ANGLES) | 査閲 APPD. 承認 APPD. Y.KUBOTA | | | |

DOF-0-212F(05.08)

