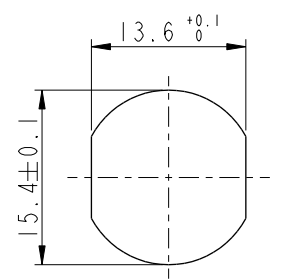


THIS DOCUMENT IS SUBJECT TO CHANGE WITHOUT NOTICE. IT IS CONFIDENTIAL AND A PROPERTY OF Amphenol LTW. DISCLOSURE TO THIRD PARTY HAS TO BE AUTHORIZED BY Amphenol LTW.

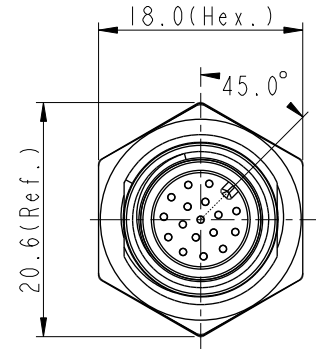
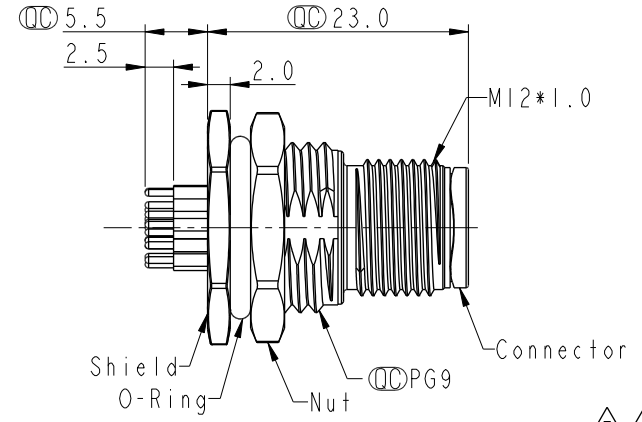
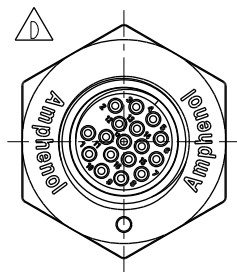
REV.	ECN NO.	DATE	SIGN	DESCRIPTION
F	C210023	2021/01/14	Vicky	$\triangle F$ X2
G	C210309	2021/02/24	Ruru	$\triangle G$ X3
H	C211340	2021/08/18	Allen Pan	$\triangle H$ X2



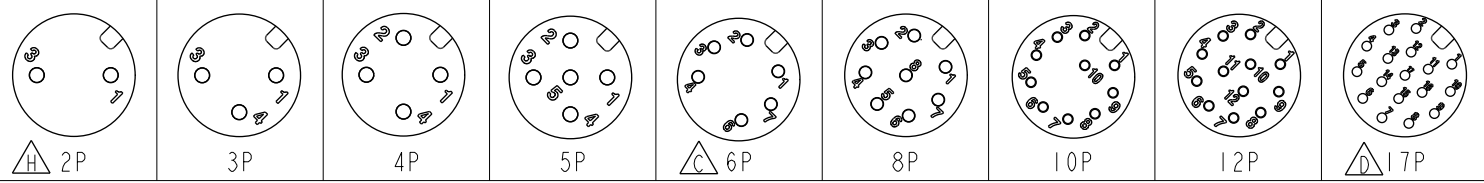
Recommended Panel Cut-Out

$\triangle B$

$\triangle E$
M12A-XXPMMP-SF8001
XX: No. Of Pin



- $\triangle E, \triangle G$ Note:
- * RoHS Compliant
 - * QC Important dimension
 - $\triangle C$ * Waterproof rate: IPX8, unmated 1m/24h
IPX9K, unmated
 - * Connector
Housing: Thermoplastic, Black
Pin: Copper alloy, Gold plated
 - $\triangle F$ * Shield: Metal
 - $\triangle F$ * Nut: Metal
 - * O-Ring: Rubber, Black
 - * For panel thickness max: 4.5mm
 - * Nut is packed separately in pe bag



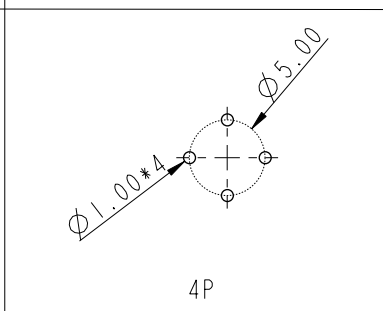
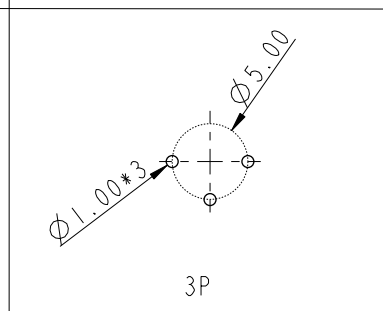
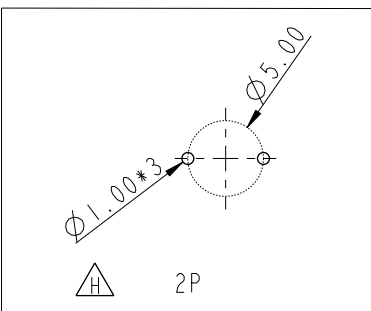
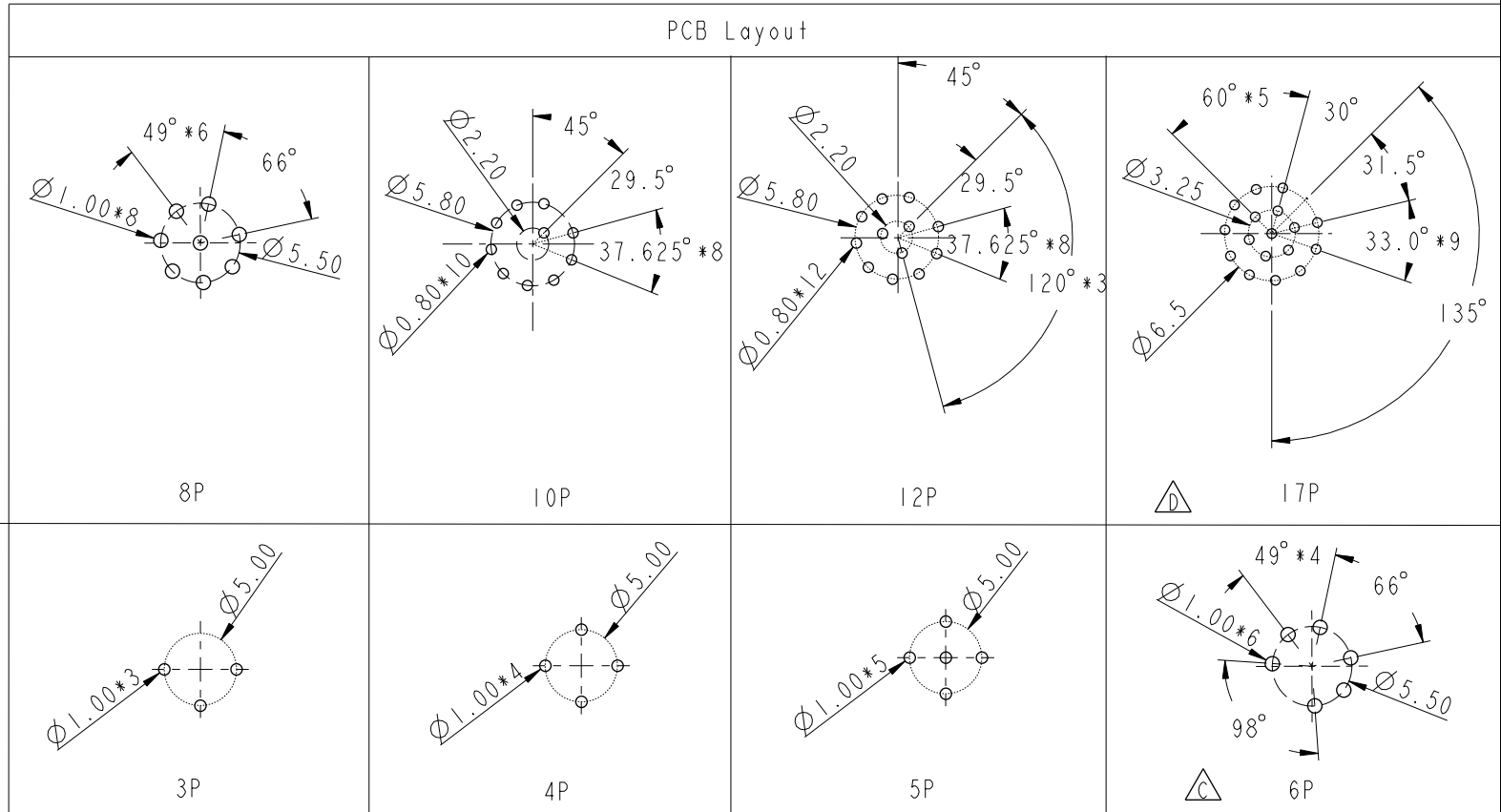
Pin Assignment Front View

UNIT: mm		TITLE N SEN, M12 A, SCREW RECEPTACLE, M, M, PCB S $\triangle G$		ITEM NO		DRAWN BY Yulong_wang	DATE 2016-08-08
		TOLERANCE .X ±0.25 .XX ±0.1 .XXX ±0.05 ANGLES ±1°		SCALE 2:1	SIZE A4	SHEET 1 OF 2	DWG NO $\triangle E$ M12A-XXPMMP-SF8001
		REV. H	WC-REV. A.5	QC : Inspection item	CUSTOMER ALTW	APPROVED BY Jerry	DATE 2016-08-08

Amphenol LTW
安費諾亮泰企業股份有限公司

THIS DOCUMENT IS SUBJECT TO CHANGE WITHOUT NOTICE. IT IS CONFIDENTIAL AND A PROPERTY OF Amphenol LTW. DISCLOSURE TO THIRD PARTY HAS TO BE AUTHORIZED BY Amphenol LTW.

PCB Layout



UNIT: mm		
TOLERANCE	.X	±0.25
	.XX	±0.1
	.XXX	±0.05
ANGLES		±1°

TITLE N SEN, M12 A, SCREW RECEPTACLE, M, M, PCB S		
SCALE	SIZE	SHEET
2:1	A4	2 OF 2
REV.	WC-REV.	
H	A.4	Inspection item

Amphenol LTW
安費諾亮泰企業股份有限公司

ITEM NO	DWG NO
	M12A-XXPMMP-SF8001
CUSTOMER	ALTW

DRAWN BY	CHECKED BY
Yulong_wang	Jinhai
APPROVED BY	
Jerry	

DATE	DATE
2016-08-08	2016-08-08
DATE	DATE
2016-08-08	2016-08-08