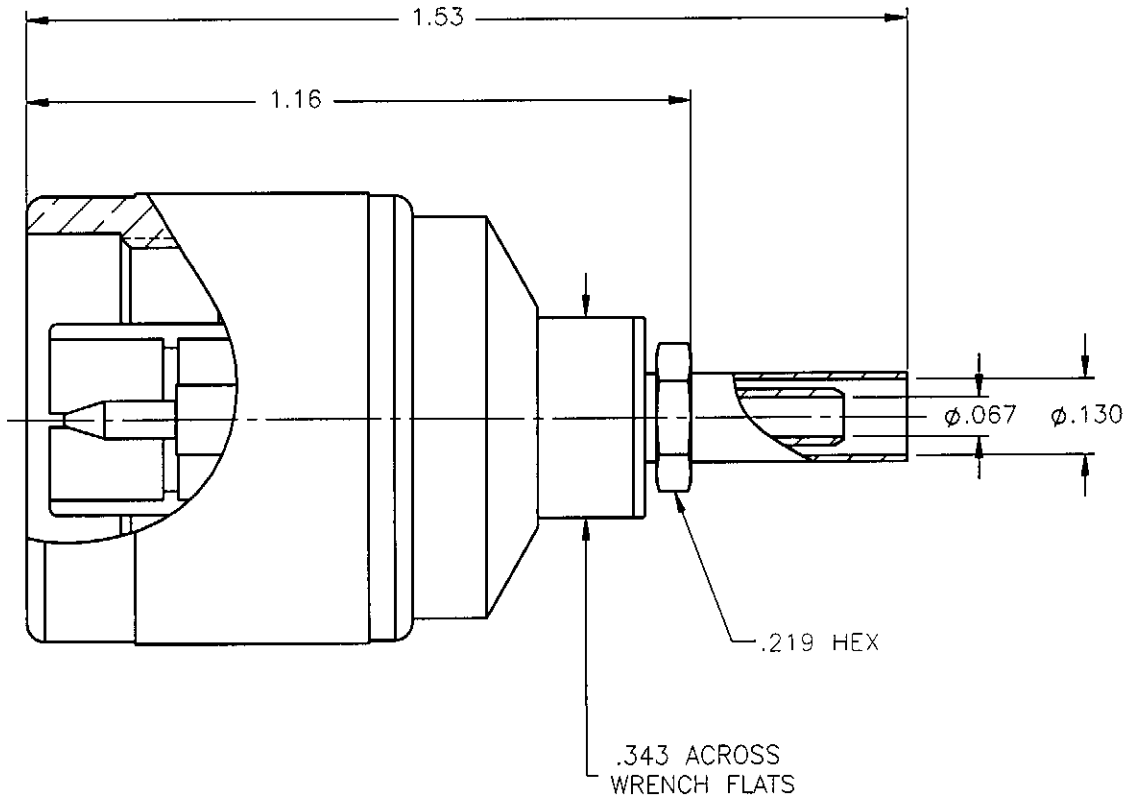




PROPRIETARY INFORMATION  
 NOT TO BE RELEASED  
 WITHOUT WRITTEN PERMISSION  
 FROM AN AUTHORIZED  
 REPRESENTATIVE OF  
 APPLIED ENGINEERING PRODUCTS

REVISIONS			
REV.	DESCRIPTION	DATE	APPROVED
A	INITIAL RELEASE	02/23/07	K.P.




NOTES:

MATERIALS:

- INSULATORS = VIRGIN WHITE TEFLON PER ASTM D1710, GRADE 1, TYPE I, CLASS "B".
- CRIMP SLEEVE = SEAMLESS LOWLEAD BRASS TUBE, ALLOY 330, SOFT ANNEAL TEMPER, .025/.060 GRAIN SIZE OR SEAMLESS COPPER TUBE PER ASTM B75, TYPE C12000, TEMPER: LIGHT ANNEAL O50 EXCEPT YIELD STRENGTH.
- WASHER = PHOSPHOR BRONZE PER ASTM B139, COPPER ALLOY C53400, TEMPER H04.
- GASKET = DOW CORNING SILASTIC 250, SILICONE RUBBER 45-55 DUROMETER.
- ALL OTHER METAL PARTS = BRASS PER ASTM B16, ALLOY C36000, TEMPER H02.

FINISHES:

- CONTACT = GOLD PLATE PER MIL-G-45204, TYPE II, CLASS 1, GRADE C, OVER .00010 TO .00020 STRESS FREE SULFAMATE NICKEL PER QQ-N-290.
- ALL OTHER METAL PARTS = NICKEL PLATE PER QQ-N-290, CLASS 1, GRADE G, EXCEPT .0001 TO .0002 THICK OVER .00005 TO .0001 THICK COPPER PER MIL-C-14550.

UNLESS OTHERWISE SPECIFIED DIMENSIONS ARE IN INCHES TOLERANCES ON		DWN: K.P. DATE 02/23/07	 <b>APPLIED ENGINEERING PRODUCTS</b> 104 John W. Murphy Dr. New Haven, CT 06513	
DECIMAL	ANGLE	CHKD: D.N. DATE 02/23/07		
		APVD: J.M. DATE 02/23/07	<b>TYPE "N" STRAIGHT CABLE PLUG CRIMP</b> <b>TYPE FOR USE WITH RG-316DS AND SIMILAR CABLES</b>	
REFERENCE: SK-1417-1 ORIGINATED: K.P. DATE: 02/23/07		MATERIALS & FINISHES: SEE NOTES		
			DWG NO. 4000-7071-019	REV A
			SCALE 3:1	THIRD ANGLE PROJECTION
			SHEET 1 OF 1	

4000-7071-019