

208490-1 ✓ ACTIVE

AMP | AMP CPC

TE Internal #: 208490-1

Circular Power Connectors, Housing, 250 VDC, 20 – 28 AWG Wire Size, .079 – .53 mm² Wire Size, Wire-to-Wire, 28 Position, Wire & Cable, Plug, AMP CPC

[View on TE.com >](#)



Connectors > Power Connectors > Circular Power > Circular Power Connectors > CMC SERIES 2



Connector Product Type: **Housing**

Operating Voltage: **250 VDC**

Wire Size: **.079 – .53 mm²**

Connector System: **Wire-to-Wire**

[All CMC SERIES 2 \(8\)](#)

Features

Product Type Features

Connector Product Type	Housing
Connector System	Wire-to-Wire
Sealable	No
Connector & Contact Terminates To	Wire & Cable
Connector & Housing Type	Plug
Circular Connector Shell Type	Metal-Shell

Configuration Features

Reverse Numbering	Without
Number of Positions	28
Number of Power Positions	0
Number of Signal Positions	28

Electrical Characteristics

Operating Voltage	250 VAC
-------------------	---------



Contact Features

Reverse Gender	No
Contact Type	Socket
Contact Current Rating (Max)	8 A
Contact Protection	With

Termination Features

Termination Method to Wire & Cable	Crimp
------------------------------------	-------

Mechanical Attachment

Mating Alignment Type	Keyed
Mating Alignment	With
Mating Retention Type	Threaded Coupling
Thread Size	15/16-20 UNEF – 2A
Mating Retention	With
Panel Mount Feature	Without

Housing Features

Body Orientation	Straight
Housing Color	Black
Housing Material	Thermoplastic
Circular Connector Shell Size	22

Dimensions

Compatible Insulation Diameter Range	1.72 mm[.068 in]
Wire Size	.079 – .53 mm ²

Usage Conditions

Operating Temperature Range	-55 – 105 °C[-67 – 221 °F]
Fluid Resistance	None

Operation/Application

Circuit Application	Signal
Shielded	No

Industry Standards

UL Flammability Rating	UL 94V-0
------------------------	----------

Packaging Features

Packaging Quantity	10
--------------------	----



Packaging Method

Box

Product Compliance

[For compliance documentation, visit the product page on TE.com>](#)

EU RoHS Directive 2011/65/EU	Compliant
EU ELV Directive 2000/53/EC	Compliant
China RoHS 2 Directive MIIT Order No 32, 2016	No Restricted Materials Above Threshold
EU REACH Regulation (EC) No. 1907/2006	Current ECHA Candidate List: JUNE 2023 (235) Candidate List Declared Against: JUL 2021 (219) Does not contain REACH SVHC
Halogen Content	Not Low Halogen - contains Br or Cl > 900 ppm.
Solder Process Capability	Not applicable for solder process capability

Product Compliance Disclaimer

This information is provided based on reasonable inquiry of our suppliers and represents our current actual knowledge based on the information they provided. This information is subject to change. The part numbers that TE has identified as EU RoHS compliant have a maximum concentration of 0.1% by weight in homogenous materials for lead, hexavalent chromium, mercury, PBB, PBDE, DBP, BBP, DEHP, DIBP, and 0.01% for cadmium, or qualify for an exemption to these limits as defined in the Annexes of Directive 2011/65/EU (RoHS2). Finished electrical and electronic equipment products will be CE marked as required by Directive 2011/65/EU. Components may not be CE marked. Additionally, the part numbers that TE has identified as EU ELV compliant have a maximum concentration of 0.1% by weight in homogenous materials for lead, hexavalent chromium, and mercury, and 0.01% for cadmium, or qualify for an exemption to these limits as defined in the Annexes of Directive 2000/53/EC (ELV). Regarding the REACH Regulation, the information TE provides on SVHC in articles for this part number is based on the latest European Chemicals Agency (ECHA) 'Guidance on requirements for substances in articles' posted at this URL: <https://echa.europa.eu/guidance-documents/guidance-on-reach>

Compatible Parts



Also in the Series | [AMP CPC](#)



Circular Connector Adapters(7)



Circular Connector Caps & Covers(16)



Circular Connector Hardware(3)



Circular Connector Keying Plugs(2)



Circular Power Connectors(459)



Connector Backshells(56)



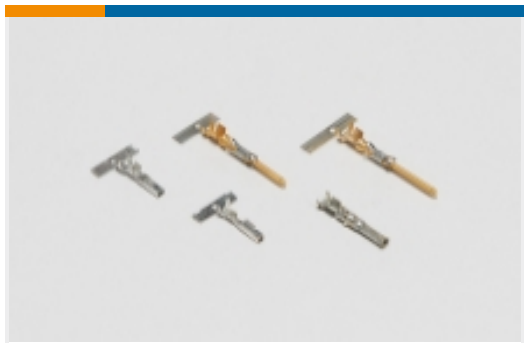
Connector Seals & Cavity Plugs(36)



Connector Strain Relief(6)



Insertion & Extraction Tools(1)

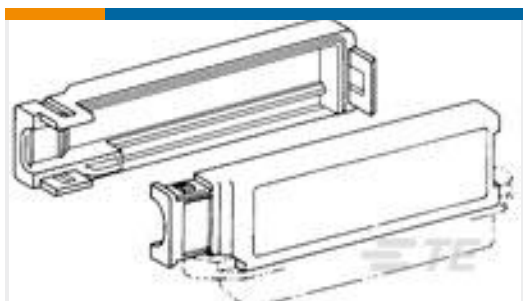


Power Contacts(6)

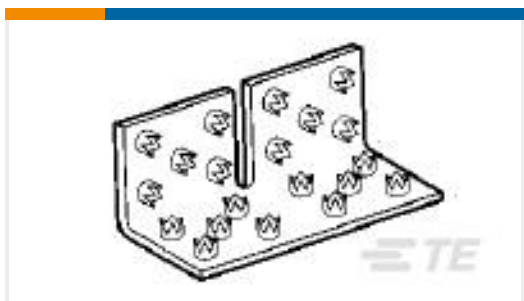


Sealing Sleeves(2)

Customers Also Bought



TE Part #552011-1
90 DEG COVER KIT 50 POS BLACK



TE Part #329657
SPLICE,TERMI-FOIL DBL FACE



TE Part #5-102694-1
06 ampmdu mt assy dr.sn



TE Part #1318986-2
DYNAMIC D-5 REC CONT SS L/P AU



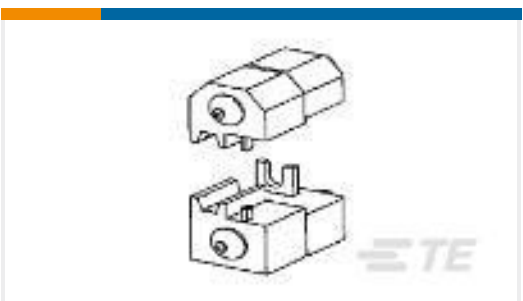
TE Part #91596-1
CCII D-5 SS REC TAB 20-16 ASSY



TE Part #91576-1
CCII D-2 S REC TAB 28-24 ASSY



TE Part #451555J001
V4-2.0-0-SP-SM



TE Part #90145-1
TYPE XII MALE FEMALE ASSY 14-12
DIE SET



Documents

Product Drawings

[PLUG ASSY,SZ 22,CMC](#)

English

CAD Files

[3D PDF](#)

English

Customer View Model

[ENG_CVM_208490-1_H.2d_dxf.zip](#)

English

Customer View Model

[ENG_CVM_208490-1_H.3d_igs.zip](#)

English

Customer View Model

[ENG_CVM_208490-1_H.3d_stp.zip](#)

English

[3D PDF](#)

3D

Customer View Model

[ENG_CVM_CVM_208490-1_L.2d_dxf.zip](#)

English

Customer View Model

[ENG_CVM_CVM_208490-1_L.3d_igs.zip](#)

English

Customer View Model

[ENG_CVM_CVM_208490-1_L.3d_stp.zip](#)

English

By downloading the CAD file I accept and agree to the [Terms and Conditions](#) of use.

Datasheets & Catalog Pages

[1-1773902-9_CPC_Catalog](#)

English

[1-1773902-9_CPC_Catalog](#)

[1-1773902-9_CPC_Catalog](#)

German



[1-1773902-9_CPC_Catalog](#)

Japanese

[AMP Circular Connectors for Commercial Signal & Power Applications Continued](#)

English

[Product Specifications](#)

[Product Specification](#)

English

[Instruction Sheets](#)

[Instruction Sheet \(U.S.\)](#)

English

[Agency Approvals](#)

[CSA Certificate](#)

English

[CSA Certificate](#)

English