



Part Number: D4C1020

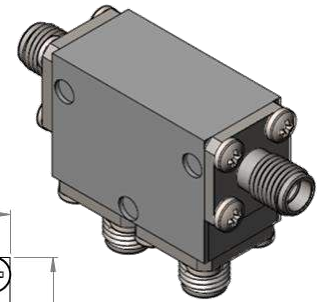
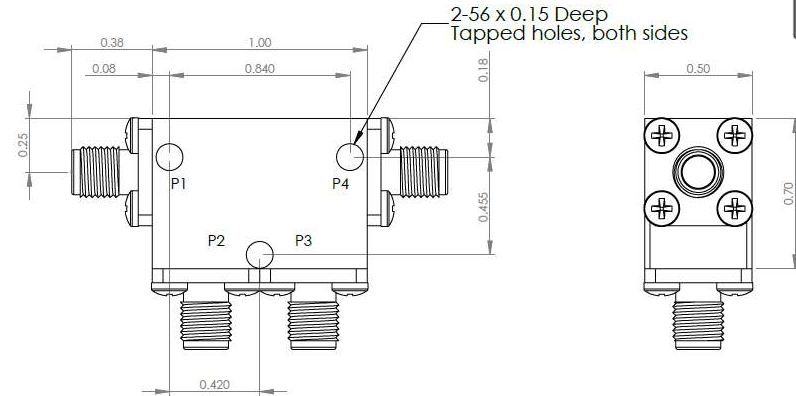
Electrical Specifications

| | |
|------------------------|------------------------|
| Frequency Range (GHz): | 10.0 – 20.0 |
| Isolation (dB): | 16 MIN (per junction) |
| Insertion Loss (dB): | 0.7 MAX (per junction) |
| VSWR: | 1.4:1 MIN |
| Forward Power (W): | 5 AVG 30 PK |

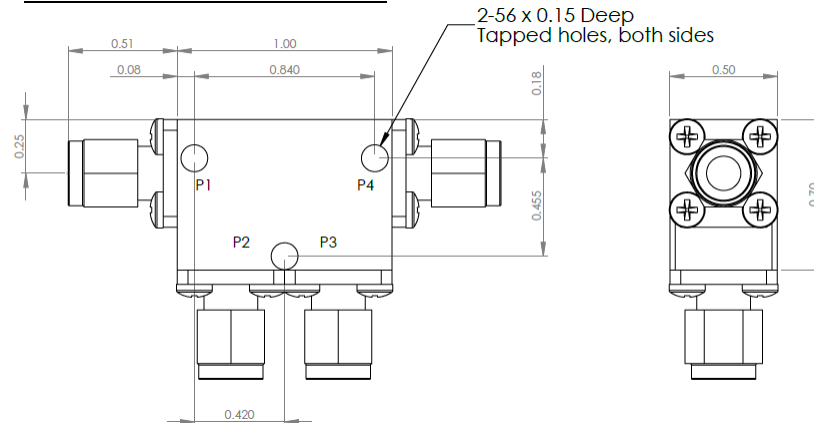
Mechanical/Environmental Specifications

| | |
|-------------------|----------------------------|
| Connector Type: | SMA |
| Connector Body: | Passivated stainless steel |
| Connector Pin: | Gold plated copper |
| Load Body: | Brass |
| Magnetic Shunt: | Nickel plated CRS |
| Operational Temp: | -20°C to +65°C |
| Weight (oz) | 2.0 MAX |

D4C1020 Dimensions



D4C1020-3 Dimensions



Dimensions are in inches
Tolerance

| | |
|-----|--------|
| XX | ±0.03 |
| XXX | ±0.010 |

| Type of Device | PN Suffix | Connector Configuration Input / Output | PN Example |
|--|-----------|---|------------|
| Dual Junction Circulator 4-Port Device Port 1 / Port 2 / Port 3 / Port 4 | No Dash | Female / Female / Female / Female | D4C1020 |
| | -1 | Male / Female / Female / Female | D4C1020-1 |
| | -2 | Female / Male / Female / Female | D4C1020-2 |
| | -3 | Male / Male / Male / Male | D4C1020-3 |
| | -4 | Female / Female / Male / Female | D4C1020-4 |
| | -5 | Female / Female / Female / Male | D4C1020-5 |



MEASURED DATA

Part Number: D4C1020, P4→P1, P2 & P3 Terminated with 50Ω, +25°C

