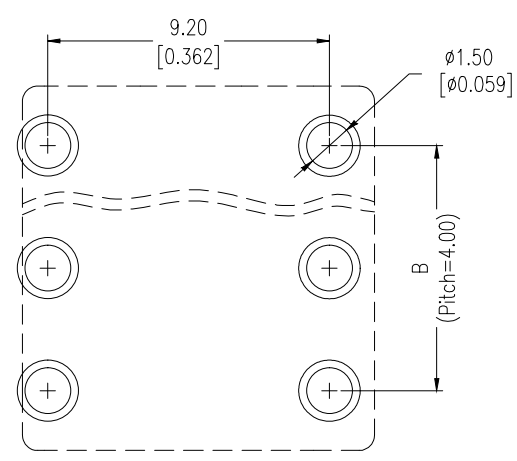
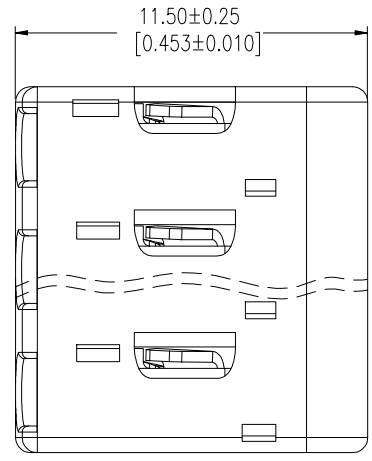


A
B
C
D
E
F
G
H

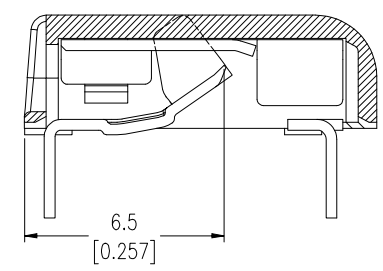
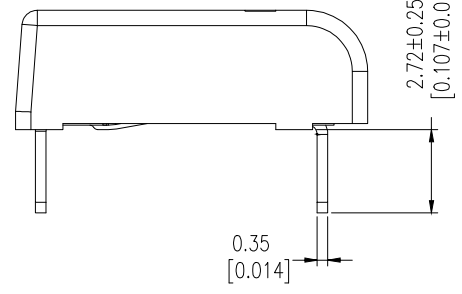
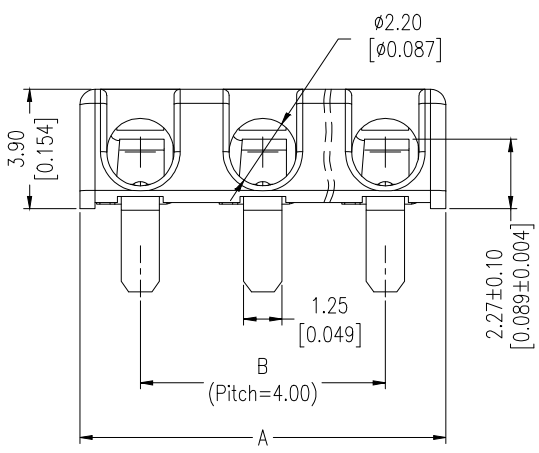


Recommended P.C.B Layout (Top Side)
(PCB BOARD TOLERANCE ±0.05)



- ① Notes:
 Rated current: 3~9AMP
 Contact resistance: 20MΩ max.
 Withstand voltage: 500V AC
 Insulation resistance: 1000MΩ min.
 Operation temperature: -40°C to +105°C
 Solder Temperature: 260°C, 5s
 Application Wire Range:
 Solid Wire: AWG20~AWG18
 Strand Wire: AWG20~AWG18

- Contact material: Phosphor Bronze (C5191)
 Contact plating: 100~200u" Sn over 50u" Ni
 ③ Insulator material: LCP+30%GF UL 94 V-0 White Color



AWBR-400-xx-Rx1
 T = Tube
 R = T&R
 PIN COUNT

3	11.95	8.00
2	7.90	4.00
1	3.95	/
PIN	A	B

RoHS compliant
 Unit: mm
 ② File No.: E198287

Scale	Free					Date	Name	Customer-No.
TOLERANCE					Drawn	25.07.2016	Ray	
.X	±0.40	③	Add the insulator color	12.06.2019	Winnie	Approved	12.06.2019	Winnie
.XX	±0.25	②	Add the File No.	27.07.2017	Winnie			
.XXX	±0.15	①	Update note	25.07.2016	Ray			
DIM	TOL	①	Drawn	25.07.2016	Ray			
Angle	±1.5°	①						
		id.	Modification	Date	Name			



ASSMANN WSW-No. AWBR-400-xx-Rx1	
Drawing-No. ASS 7333 CO	rev03
Replace	Sheet