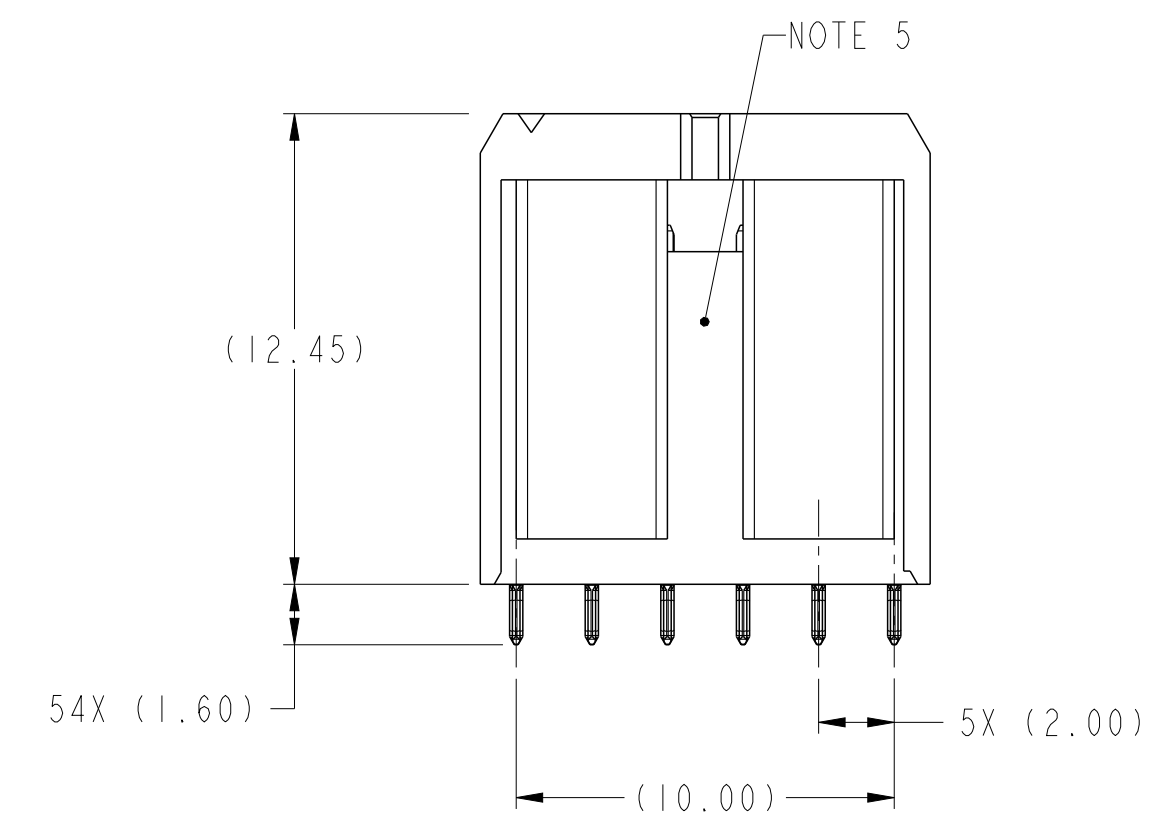
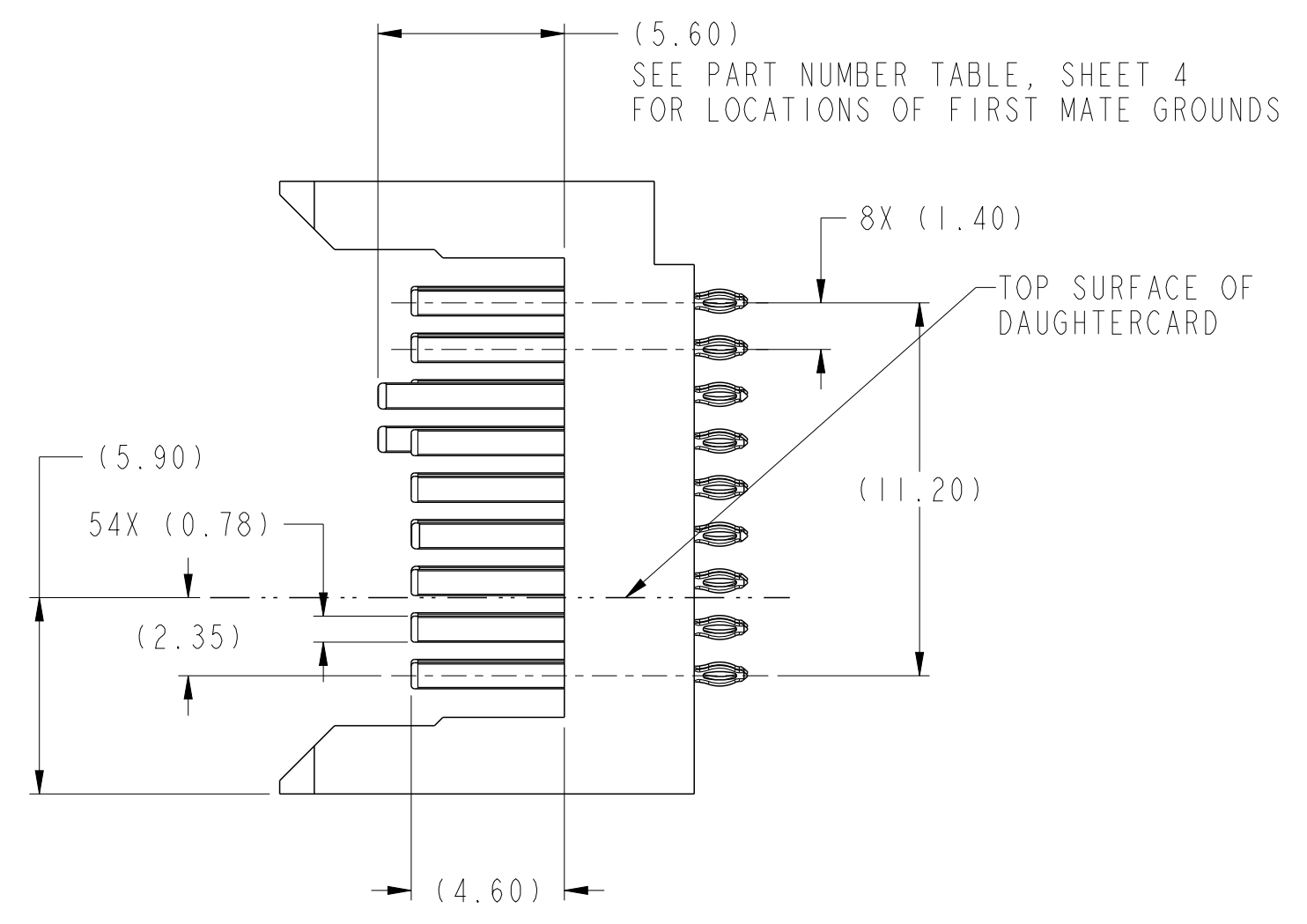
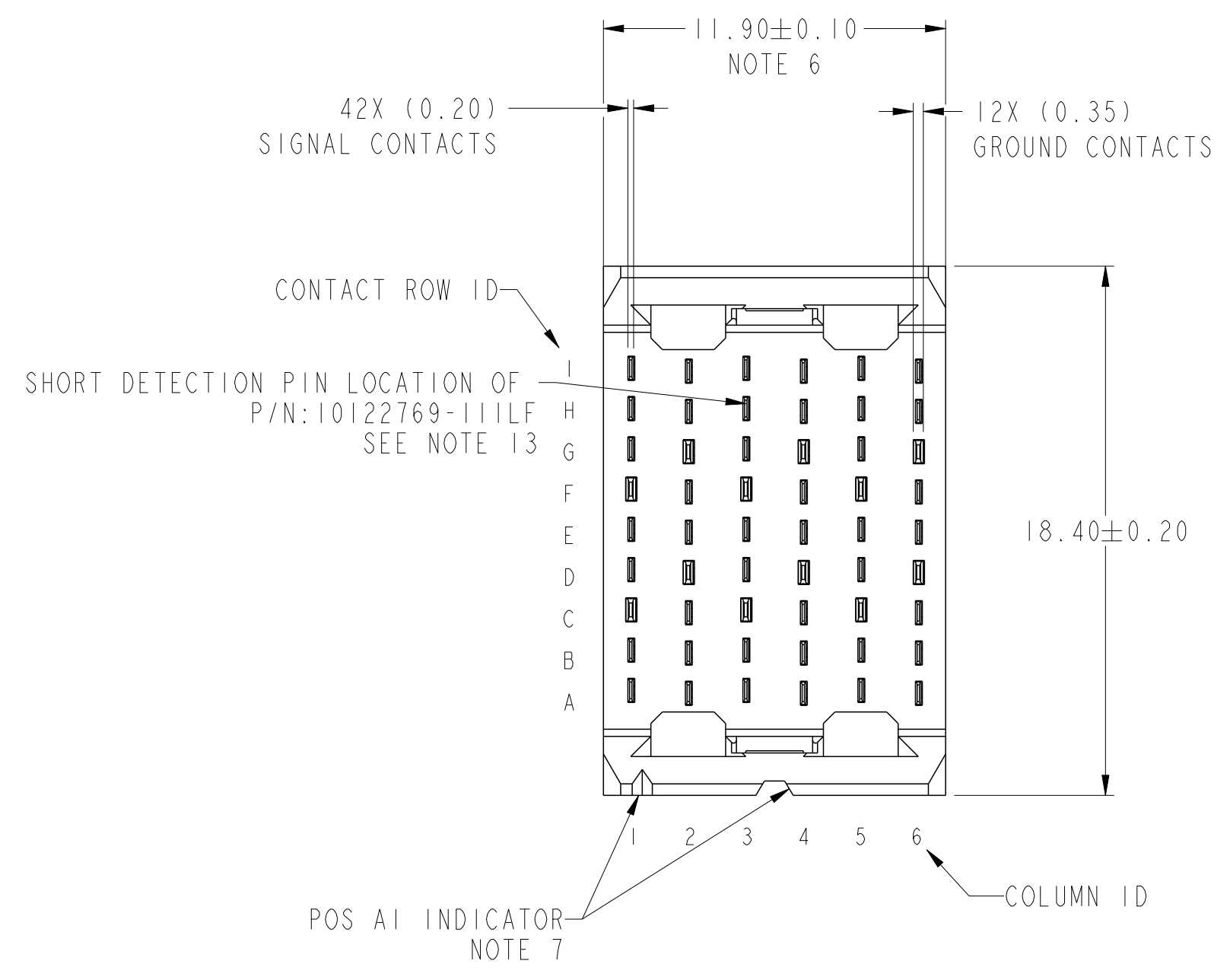


Product number
SEE TABLE, SHT 4



© 2020 Amphenol Corporation
Amphenol
FCi

spec ref	-	dr	Sandar Soe	2012/09/13	projection	MM	size	A2	scale	5:1	
tolerance std	ASME Y14.5	eng	Terry Luo	2021/08/25			ecn no	ELX-DG-42149-1			
TOLERANCES UNLESS OTHERWISE SPECIFIED		chr	-				rel level	Released			
surface	-	appr	Heaven Cen				2021/11/01	product family	AIRMAX VS		
ASME Y14.5	linear	0.X	±0.3	0.XX	±0.10	0.XXX	±0.050	angular	0°	±2°	
		Amphenol FCi		title			AIRMAX VS2 VERTICAL HEADER		divg no		10122769
				3 PAIR 54 POS 2MM 6 COL, GXT+			cat. no.		Product - Customer Drw		sheet 1 of 4
				PDS: Rev :D			STATUS:Released		Printed: Nov 01, 2021		

1 2 3 4 5 6 7 8

A

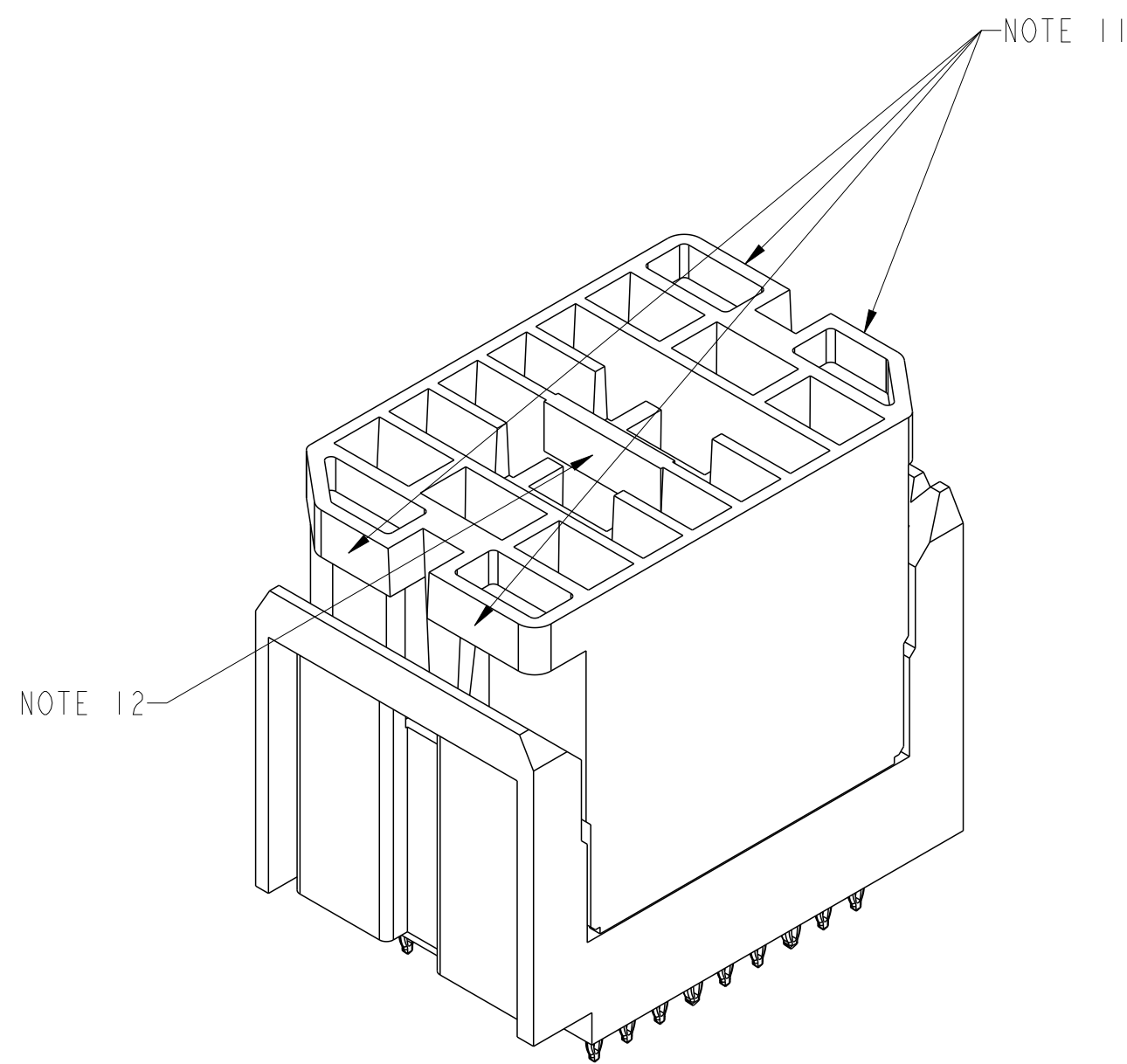
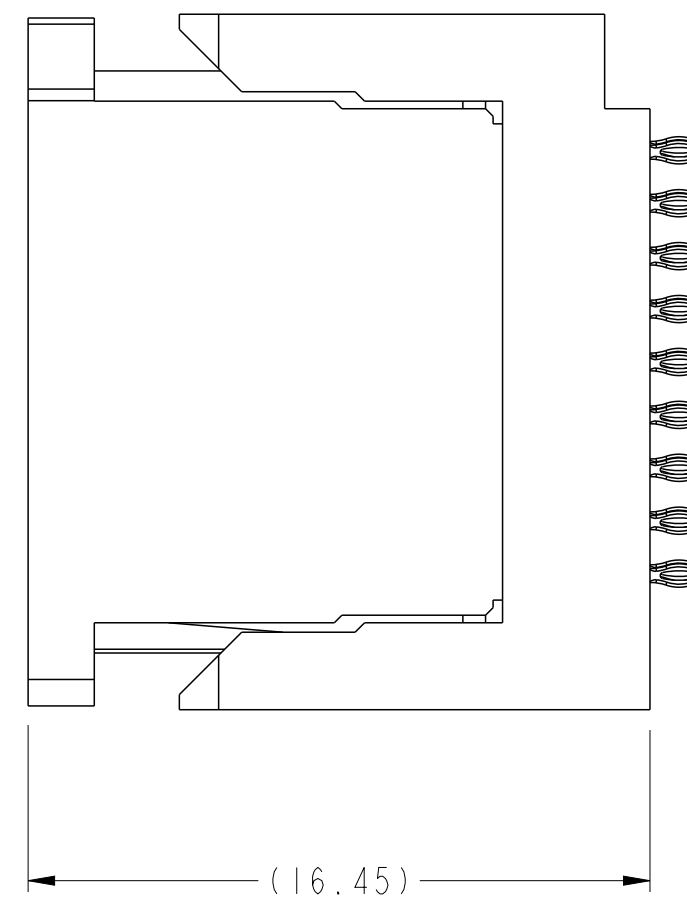
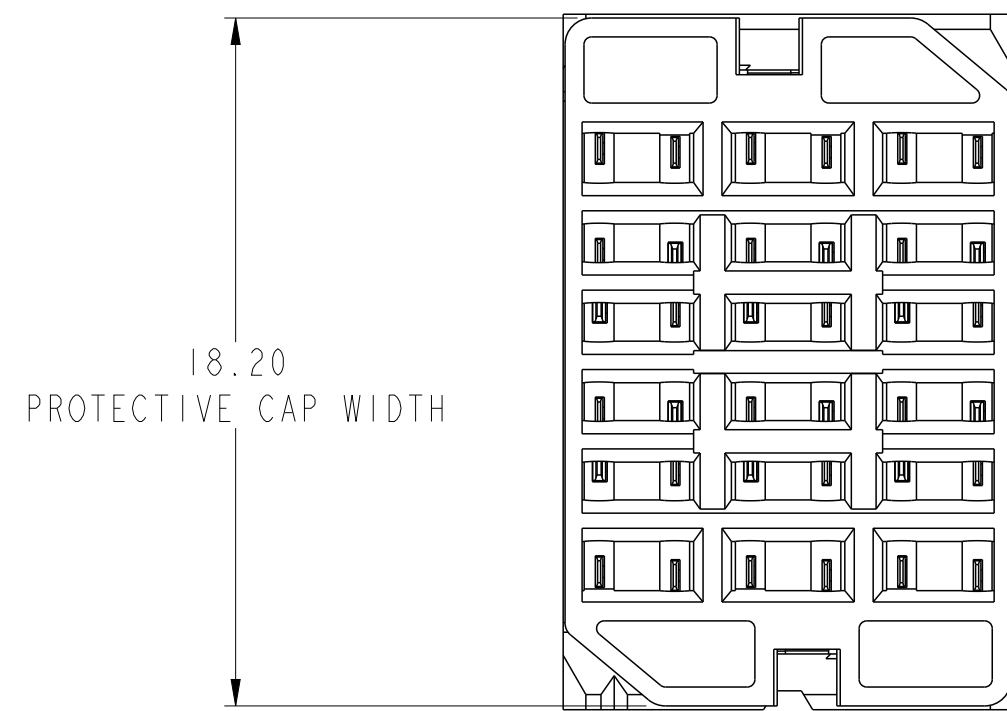
B

C

D

E

F

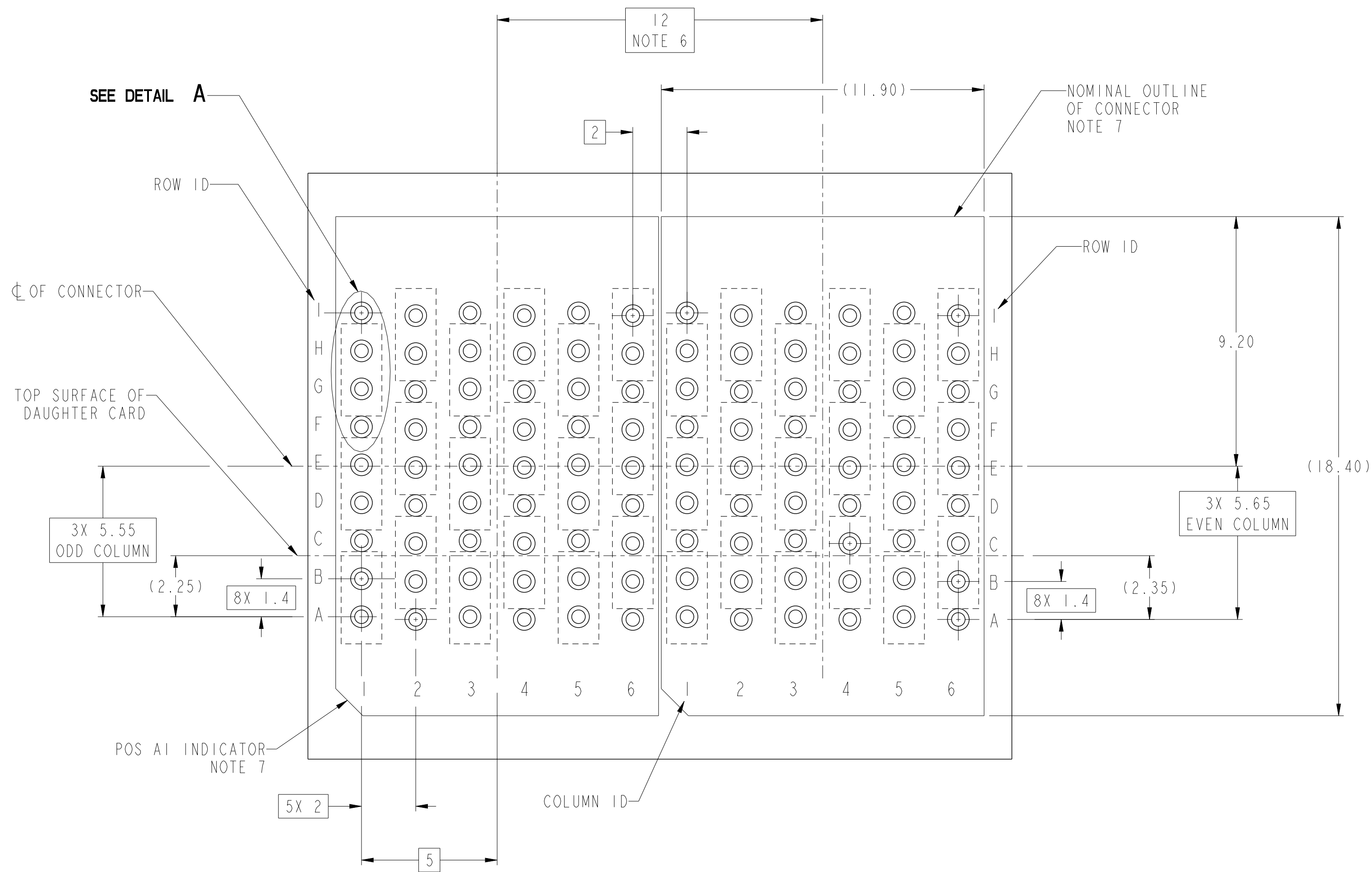


VIEWS SHOWN WITH PROTECTIVE COVER INSTALLED
10122769-101LF

Amphenol
FCi

© 2020 Amphenol Corporation

spec ref	-	dr	Sandar Soe	2012/09/13	projection	MM	size	A2	scale	5:1		
tolerance std	ASME Y14.5	eng	Terry Luo	2021/08/25			ecn no	ELX-DG-42149-1				
TOLERANCES UNLESS OTHERWISE SPECIFIED		chr	-	appr			Heaven Cen	2021/11/01	product family	AIRMAX VS	rel level	Released
surface	-	linear	0.X	±0.3					title	AIRMAX VS2 VERTICAL HEADER		rev
ASME Y14.5	✓	angular	0°	±2°			3 PAIR 54 POS 2MM 6 COL, GXT+	cat. no.	-	Product - Customer Drw	sheet 2 of 4	



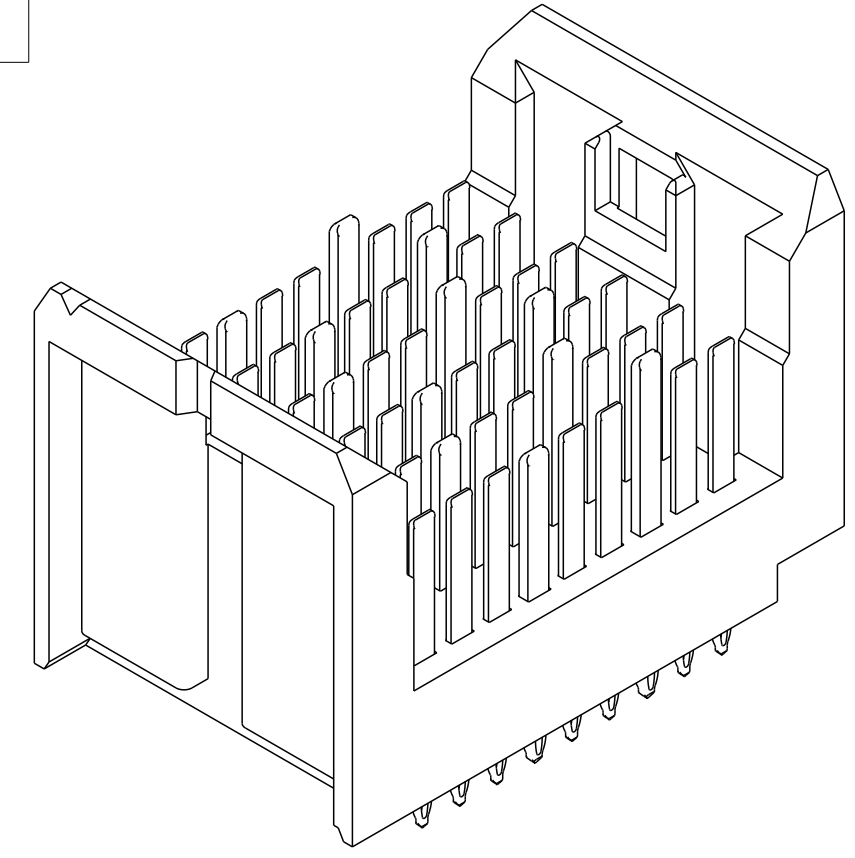
RECOMMENDED PCB LAYOUT
FOR DIFFERENTIAL APPLICATIONS,
COMPONENT SIDE
(TWO ADJACENT FOOTPRINTS SHOWN)
NOTES 6, AND 8

Amphenol
FCi

© 2020 Amphenol Corporation

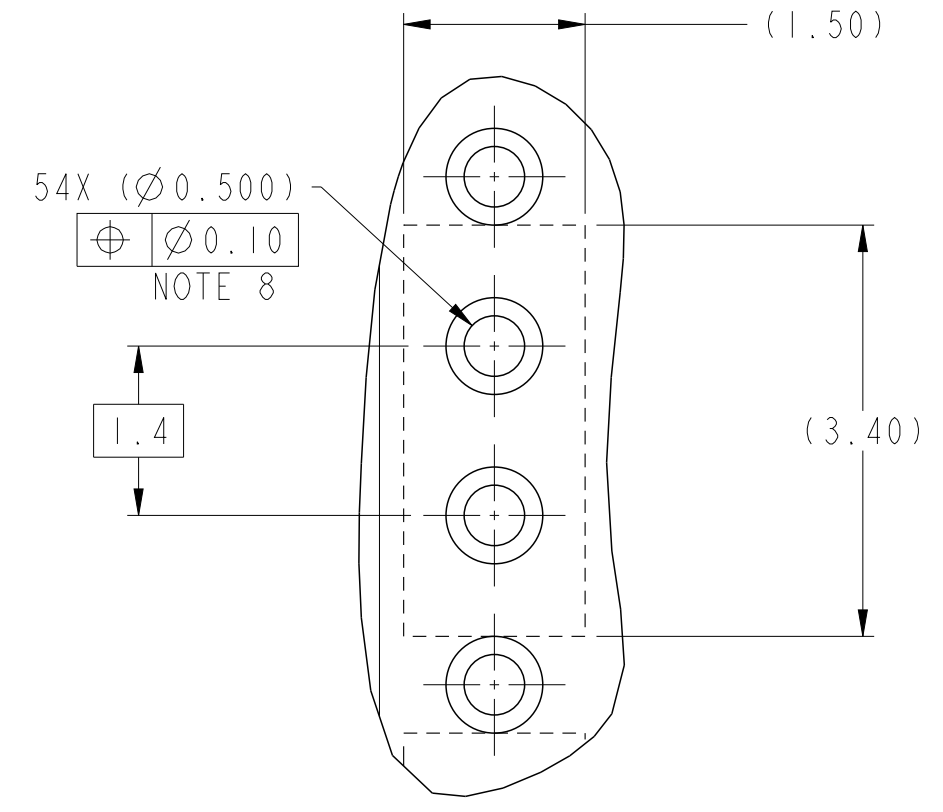
spec ref	-	dr	Sandar Soe	2012/09/13	projection	MM	size	A2	scale	3:1
tolerance std	ASME Y14.5	eng	Terry Luo	2021/08/25			ecn no	ELX-DG-42149-1		
TOLERANCES UNLESS OTHERWISE SPECIFIED		chr	-	rel level			Released			
surface	-	appr	Heaven Cen	2021/11/01			product family	AIRMAX VS		
ASME Y14.5	linear	0.X	±0.3		title		AIRMAX VS2 VERTICAL HEADER	dwg no 10122769	rev D	
		0.XX	±0.10		3 PAIR 54 POS 2MM 6 COL, GXT+					
		0.XXX	±0.050		cat. no.	-	Product - Customer Drw			sheet 3 of 4
	angular	0°	±2°	PDS: Rev :D		STATUS:Released		Printed: Nov 01, 2021		

PART NUMBER	PRESS-FIT TAIL PLATING TYPE	PROTECTIVE COVER	FIRST MATE PIN LOCATIONS (5.6mm)	SHORT DETECTION PIN OPTION		REMARKS
				LOCATION	QUANTITY	
10122769-101LF	TIN OVER NICKEL (LEAD FREE)	YES	F1, F3, F5, G2, G4, G6	NA	NA	2-SIDED PLATING
10122769-111LF	TIN OVER NICKEL (LEAD FREE)	YES	F1, F3, F5, G2, G4, G6	H3	1	



10122769-101LF

- NOTES:
- CONNECTOR MATERIALS:
HOUSING: HIGH TEMP THERMOPLASTIC, BLACK, UL94V-0
CONTACT: COPPER ALLOY
 - CONTACT PLATING:
SEPARABLE INTERFACE: PERFORMANCE-BASED PLATING, QUALIFIED TO MEET THE REQUIREMENTS OF FCI PRODUCT SPECIFICATION GS-12-239 INCLUDING TELCORDIA GR-1217-CORE (NOVEMBER 1995) CENTRAL OFFICE TEST SEQUENCE
PRESS-FIT TAILS: SEE TABLE
 - PRODUCT SPECIFICATION: GS-12-239.
 - APPLICATION SPECIFICATION: GS-20-035.
 - PRODUCT MARKING, (PROTOTYPE, PART NUMBER & LOT CODE), ON THIS SURFACE.
 - THE MINIMUM CENTERLINE SPACING BETWEEN ADJACENT MODULES IS 12.0 mm.
 - CONNECTOR OUTLINE WITH HOUSING POS A1 INDICATOR MAY BE SCREEN PRINTED ONTO CUSTOMER PCB TO BE USED AS A GUIDE FOR MANUAL CONNECTOR PLACEMENT.
 - REFER TO CUSTOMER DRAWING 10104444 FOR INFORMATION ON PCB HOLE DIAMETERS AND PLATING OPTIONS.
 - THIS PRODUCT MEETS EUROPEAN UNION DIRECTIVES AND OTHER COUNTRY REGULATIONS AS DESCRIBED IN GS-22-008.
 - PACKAGING MEETS GS-14-920 LEAD FREE LABELING SPECIFICATION.
 - FOR REMOVAL OF THE PROTECTIVE CAP BY HAND GRIP USING THESE SURFACES.
 - FOR REMOVAL OF THE PROTECTIVE CAP WITH PLIERS GRIP USING THIS FEATURE.
 - SHORT DETECTION PIN IS 0.50mm LESS WIPE NOMINAL THAN THE SHORTEST PIN.



DETAIL A
SCALE 16:1

spec ref	-	dr	Sandar Soe	2012/09/13	projection	MM	size	A2	scale	5:1
tolerance std	ASME Y14.5	eng	Terry Luo	2021/08/25	chr	-	ecn no	ELX-DG-42149-1	rel level	Released
surface	-	appr	Heaven Cen	2021/11/01	product family	AIRMAX VS	cat. no.	10122769	rev	D
ASME Y14.5	linear	0.X	±0.3	Amphenol FCI	title	AIRMAX VS2 VERTICAL HEADER	3 PAIR 54 POS 2MM 6 COL, GXT+	Product - Customer Drw	sheet 4 of 4	
	angular	0°	±2°							

PDS: Rev :D

STATUS:Released

Printed: Nov 01, 2021

Amphenol FCI

© 2020 Amphenol Corporation