

# Lighting Controls

DATE:	LOCATION:
TYPE:	PROJECT:
CATALOG #:	

## BTSMP SERIES

BLUETOOTH® OMNI INDOOR/OUTDOOR PASSIVE INFRARED FIXTURE SENSOR

### FEATURES

- Passive Infrared (PIR) sensing technology provides excellent major motion detection
- Wireless programming using controlHUBB mobile app
- 0-10V dimming control
- Single/Dual motion sensor timer modes
- Daylight sensor with multiple daylight harvesting modes



### SPECIFICATIONS

#### CONSTRUCTION

- ABS (UL-945VA) flame class rating, UV inhibitors
- 3.2 oz (90.7g)
- White, Black, Gray finishes available
- External: 0.6" (19.0mm) H, 2.6" (65.0mm) D
- Internal Thread: 1.2" (25.4mm) L, 1.4" (35.6mm) D

#### ELECTRICAL

- Low Voltage sensors: 12-32VDC (Requires Dim to Off driver with auxiliary power or low voltage power supply - Not included)
- Dimming: 0-10V; Capable of sinking up to 30mA
- Bluetooth Radio: V5.0

#### OPERATION

- OMNI : Indoor Use Only
- OMNI-O: Indoor/Outdoor Use (IP65 Rated)
- 1:2.75 (Mounting Height : Coverage Radius); Up to 14ft
- Operating temperature: -40°F to 149°F (-40°C to 65°C)
- Wireless programming of sensor settings using controlHUBB™ Bluetooth app. Maximum programming distance: 45 Ft
- Easy to use slider controls for sensor settings

#### OPERATION (CONTINUED)

- Motion sensor and photosensor test modes
- Configurable LED motion indicator
- Single/Dual Motion Sensor Timer Modes
  - Single Timer Mode: Timer (0 secs - 30 mins), Level Adjustment (0-100%)
  - Dual Timer Mode: Timer 1 (0 secs - 30 mins), Level Adjustment (0-100%), Timer 2 (0 min - 5 hrs)
- Multiple Daylight Harvesting Modes
  - Full range dimming with auto configuration (closed loop operation)
  - Legacy dimming (open loop operation)
  - Dusk to dawn (On/Off operation)
  - Disabled (Default)
- Device Cloning: Sensor settings can be saved to device profiles and then cloned to other sensors
- Patented Intelliscope™ technology showing real-time occupancy data
- Security
  - Passcode protection to prevent unwanted changes
- Factory Defaults: Sensor can be set to factory defaults using the app.
- Over the Air (OTA) firmware updatable

#### OPERATION (CONTINUED)

- Dual element pyrometer and spherical Fresnel lens designed for robust detection of person walking

#### DAYLIGHT SENSOR

- Range: 1 to 50fc or 5 to 500fc

#### CERTIFICATIONS

- Conforms with UL STD 508, UL STD 244A
- OMNI-O: IP65 Rated

#### WARRANTY

- 5 year limited

# Lighting Controls

DATE: \_\_\_\_\_ LOCATION: \_\_\_\_\_

TYPE: \_\_\_\_\_ PROJECT: \_\_\_\_\_

CATALOG #: \_\_\_\_\_

## BTSMP SERIES

BLUETOOTH® OMNI INDOOR/OUTDOOR PASSIVE INFRARED FIXTURE SENSOR

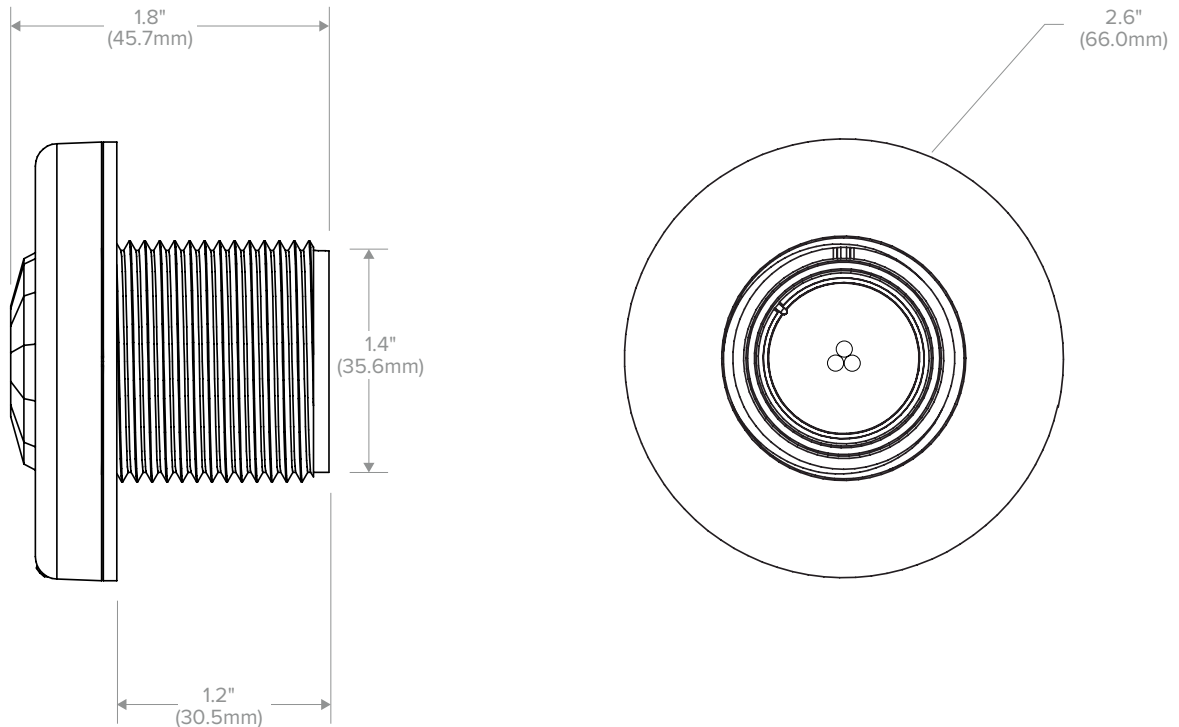
### ORDERING GUIDE

Example: BTSMP-OMNI, BTSMP-OMNI-O, BTSMP-OMNI-O-BK

CATALOG #

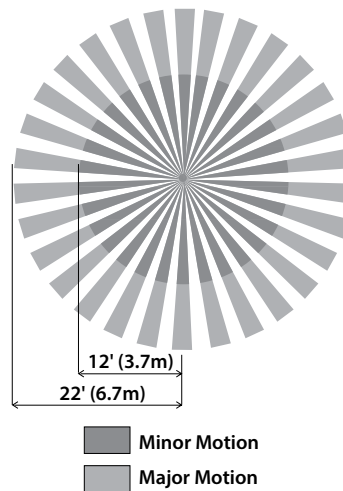
BTSMP	OMNI		
Model	Sensor Type	Application Type	Color
BTSMP Bluetooth Sensor Module with Passive Infrared Sensing Technology, 24VDC	OMNI	Blank Indoor, 360° Lens O Outdoor, 360° Lens	Blank White BK Black GY Gray

### DIMENSIONS



### ADDITIONAL INFORMATION

#### Coverage Patterns



Minor Motion  
 Major Motion

BTSMP-OMNI

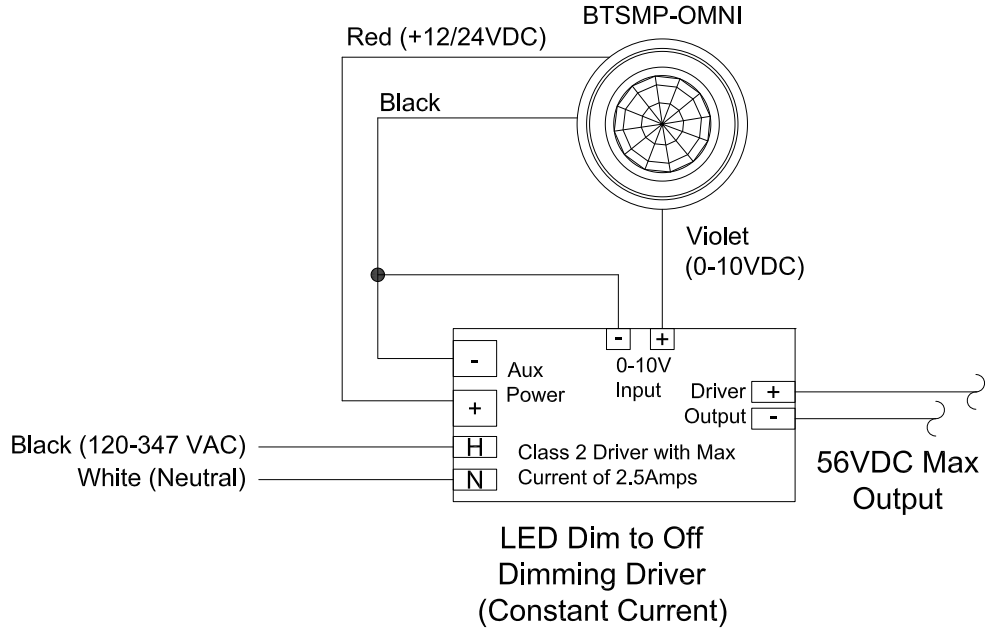
# Lighting Controls

## BTSMP SERIES

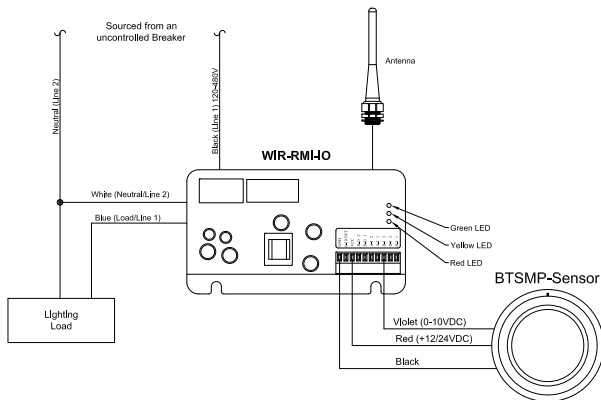
BLUETOOTH® OMNI INDOOR/OUTDOOR PASSIVE INFRARED FIXTURE SENSOR

### ADDITIONAL INFORMATION (CONTINUED)

#### Wiring Diagrams

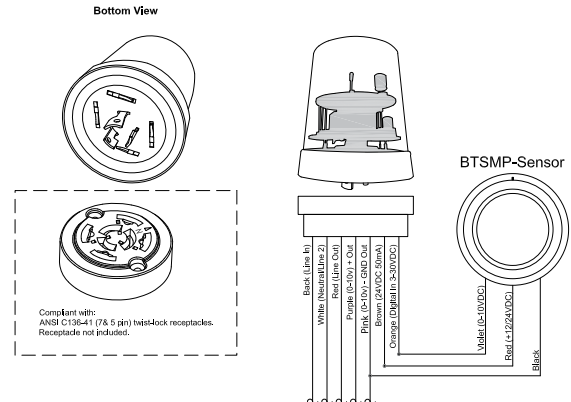


BTSMP Sensor Connected to Dim to OFF Driver with Aux Supply (+12/24VDC)



NOTE: Disconnect power prior to installation.

wiSCAPE® Wiring Diagram with WIR-RMI-IO with a BTSMP Sensor



NOTE: Disconnect power prior to installation.

wiSCAPE Wiring Diagram with WIR-RME-L with a BTSMP Sensor

#### Default Settings

Occupancy Sensor	Enabled
Occupancy Sensor Sensitivity	7
Occupancy Sensor Timeout	8 Minutes
Occupied Dim Level	100%
Unoccupied Dim Level	0% (OFF)
Daylight Sensor	Disabled