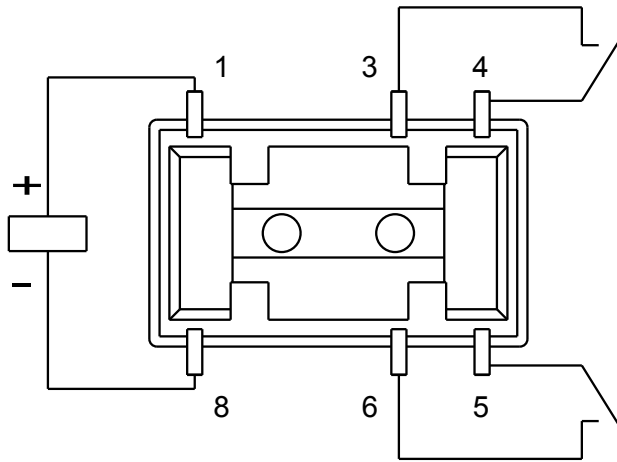
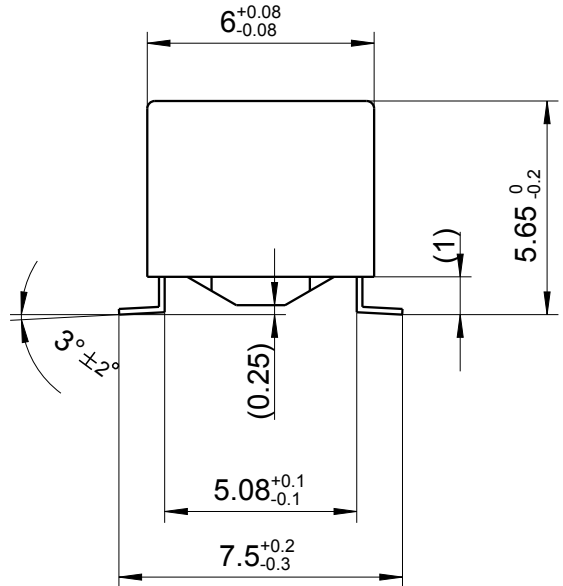
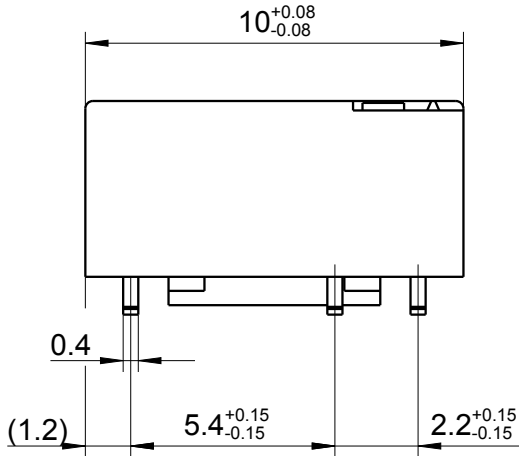


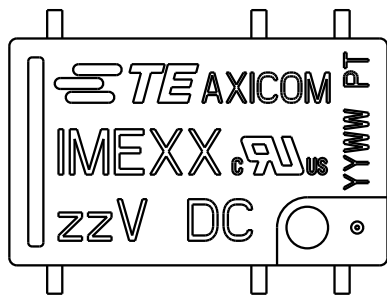
| LOC | DIST | REVISIONS | | | | | |
|-----|------|-----------|-----|-------------------------------------|-----------|-----|------|
| | | P | LTR | DESCRIPTION | DATE | DWN | APVD |
| HJ | - | | A2 | REVISED PER ECO-11-005150 | 25MAR2011 | UKo | AK |
| | | | A3 | REVISED PER ECR-13-014508 (TE-Logo) | 16SEP2013 | UKo | AK |
| | | | | | | | |



Relay - bottom view



Coplanarity < 0.10mm



XX = Relay type
 ZZ = nominal voltage
 YYWW = Date code

2000

RELEASED FOR PUBLICATION

ALL RIGHTS RESERVED.

THIS DRAWING IS UNPUBLISHED.

© COPYRIGHT 2000

| | | | | | | | | |
|---|------------------|-----------|--|-----------|-------------|---------------|----|-----|
| DIMENSIONS: mm | DWN | 07AUG2008 | MATERIAL | FINISH | | | | |
| | UKo 9193 | | - | - | | | | |
| TOLERANCES UNLESS OTHERWISE SPECIFIED: DIN 7168-m | CHK | 07AUG2008 | TE Connectivity | | | | | |
| | HD 9121 | | | | | | | |
| 0 PLC ± 1 PLC ± 2 PLC ± 3 PLC ± 4 PLC ± ANGLES ± | APVD | 07AUG2008 | NAME IME-Relay SMT Gull Wings (2 Form A) Dimensions | | | | | |
| | HD 9121 | | | | | | | |
| | PRODUCT SPEC | - | SIZE | CAGE CODE | DRAWING NO | RESTRICTED TO | | |
| | APPLICATION SPEC | - | A4 | 00779 | C-1462043-2 | - | | |
| | WEIGHT | - | CUSTOMER DRAWING | | SCALE | SHEET | OF | REV |
| | | | | | 5:1 | 1 | 1 | A3 |