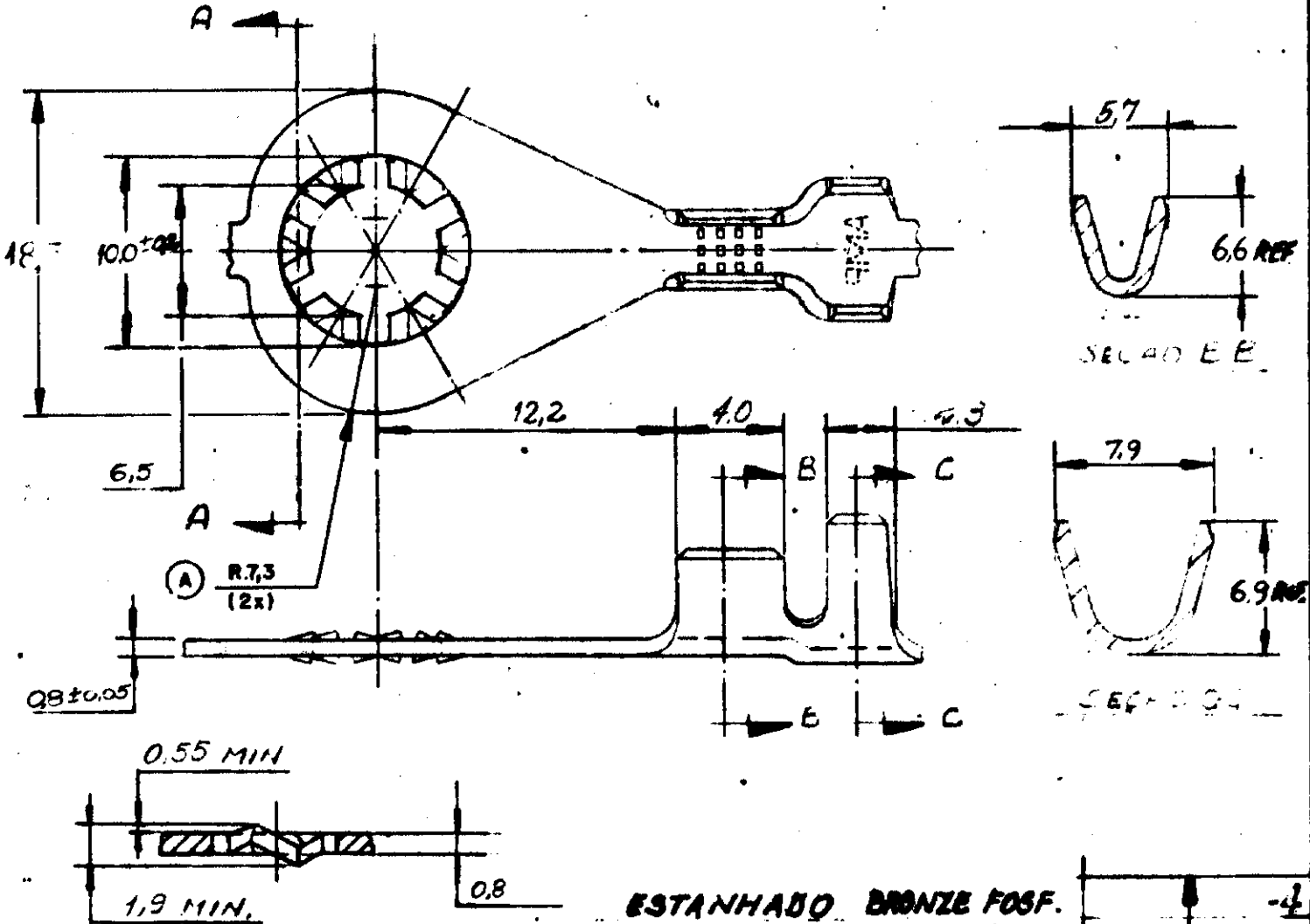


© Copyright 1982 by AMP DO BRASIL - S. P. All International Rights Reserved. AMP Incorporated products covered by U. S. and Foreign patents and/or patents pending.

REVISIONS

LTP	DESCRIPTION	DATE	APPROVED	P/F
0	ERA PEL-29268	6-SEP-90	PF [Signature]	
A	REVISADO	6-6-91	NO. [Signature]	



SECÃO A-A

ESTANHADO	BRONZE FOSF.	-4
—#—	BRONZE FOSF.	-3
ESTANHADO	LATÃO	-2
—#—	LATÃO	-1

881599 -1

ACABAMENTO MATERIAL

PART NO

UNLESS OTHERWISE SPECIFIED DIMENSIONS ARE IN (MM) TOLERANCES ON: DECIMALS ± 0.03 ANGLES ± 1°

CONTRACT NO  
DR [Signature]  
CHK [Signature]

TOLERANCE



AMP DO BRASIL  
São Paulo - Brasil

MATERIAL  
VER TABELA

APPL  
APPL

NAME  
**RING TONGUE ANTIROTATIONAL**

FINISH  
VER TABELA

AREA-RANGE  
4-60 mm<sup>2</sup>  
INS-RANGE  
4-53 mm

SIZE  
**A**

LOC  
AP.

DRAWING NO  
**881599**

SCALE

SHEET

P/F