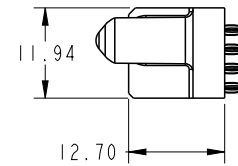
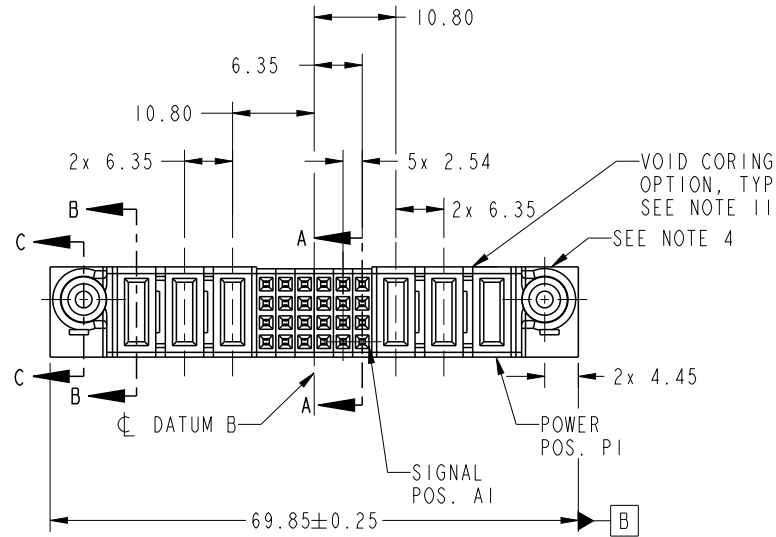


| | | | | | | | | | | | | | | | | | | | | | |
|------------------------|------------------|-------|----|----|--------|---|---|---|---|---|---|-------|----|----|----|---|---|----|----|----|--|
| PRODUCT NO. | ROWS | POWER | | | SIGNAL | | | | | | | POWER | | | E1 | | | | | | |
| | | E2 | P6 | P5 | P4 | 6 | 5 | 4 | 3 | 2 | 1 | P3 | P2 | P1 | | | | | | | |
| 51750-136-- NOTE: 3 | D C B A | | PF | PF | PF | F | F | F | F | F | F | F | F | F | F | F | F | PC | PC | PC | |

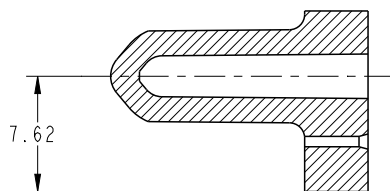
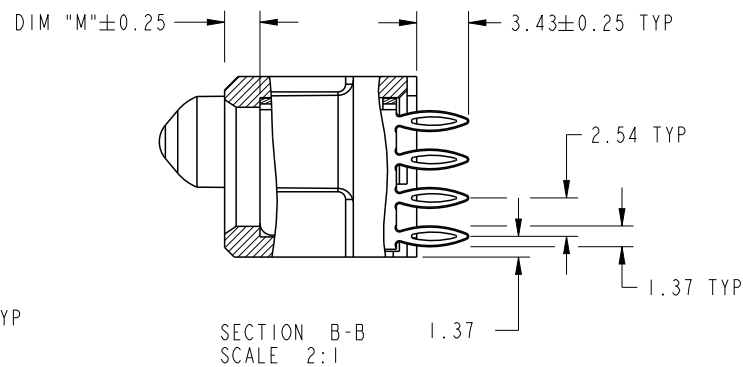
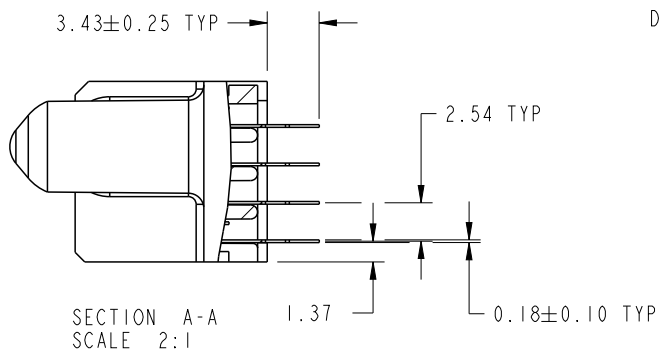


| CODE | DIM "M" MATING LENGTH | CONTACT TYPE |
|------|-----------------------|--------------|
| PF | [2.34] | POWER |
| PC | [1.07] | POWER |
| F | [N/A] | SIGNAL |

| | | | | | | | | | | | | |
|---------------|---------------------------------------|------|----------------|------------|---------------------------|----|------------------------|----------|-----------------------|-----------|-----|---|
| spec ref | * | dr | Luo Weller | 2013/10/24 | projection | MM | size | A4 | scale | 1:1 | | |
| tolerance std | TOLERANCES UNLESS OTHERWISE SPECIFIED | eng | Luo Weller | 2013/10/31 | | | ecn no | - | | | | |
| SEE NOTE | | chr | - | - | product family | | | PwrBlade | rel level | Released | | |
| surface | ✓ | appr | Pei-Ming Zheng | 2013/10/31 | title | | 3P+24S+3P | | dwg no | 51750-136 | rev | A |
| linear | | 0.X | ±0.5 | | VERTICAL PRESS-FIT RECEPT | | Product - Customer Drw | | sheet 1 of 4 | | | |
| angular | 0° | ±2° | www.fci.com | | cat. no. | * | STATUS:Released | | Printed: Nov 01, 2013 | | | |

PRODUCT NUMBER

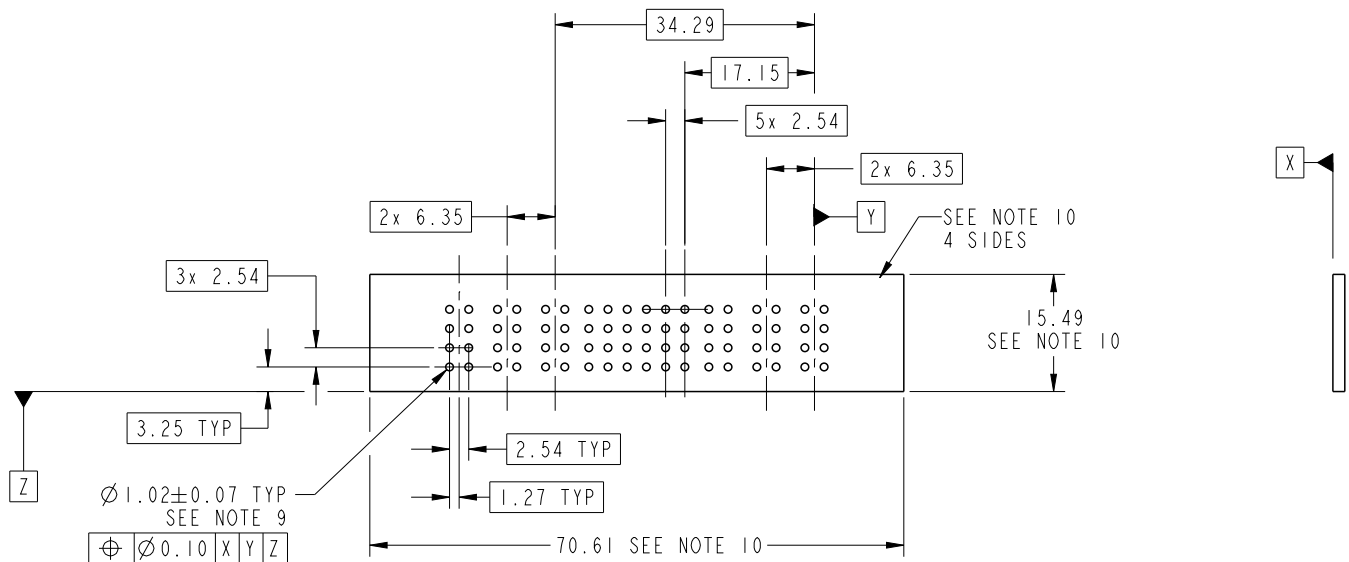
51750-136__
NOTE: 3



| | | | | | | | | |
|-------------|----------------|---|------------------------|----------|--------------|----------|-------|-----|
| dr | Luo Weller | 2013/10/24 | projection | MM | size | A4 | scale | 1:1 |
| eng | Luo Weller | 2013/10/31 | | | ecn no | - | | |
| chr | - | - | | | rel level | Released | | |
| appr | Pei-Ming Zheng | 2013/10/31 | product family | PwrBlade | rev | A | | |
| | title | 3P+24S+3P VERTICAL PRESS-FIT RECEIPT | | dwg no | 51750-136 | | | |
| www.fci.com | cat. no. | * | Product - Customer Drw | | sheet 2 of 4 | | | |

PRODUCT NUMBER

51750-136__
NOTE: 3



RECOMMENDED PCB LAYOUT

| | | | | | | | | |
|-------------|----------------|--|------------------------|----------|--------------|----------|-------|-----|
| dr | Luo Weller | 2013/10/24 | projection | MM | size | A4 | scale | 1:1 |
| eng | Luo Weller | 2013/10/31 | | | ecn no | - | | |
| chr | - | - | | | rel level | Released | | |
| appr | Pei-Ming Zheng | 2013/10/31 | product family | PwrBlade | rev | A | | |
| | title | 3P+24S+3P VERTICAL PRESS-FIT RECEPT | | dwg no | 51750-136 | | | |
| www.fci.com | cat. no. | * | Product - Customer Drw | | sheet 3 of 4 | | | |

PRODUCT NUMBER

51750-136__
NOTE: 3

NOTES:

1. DIMENSIONS AND TOLERANCES ARE IN ACCORDANCE WITH ASME Y14.5M, 1994 UNLESS OTHERWISE SPECIFIED.

CONNECTOR NOTES:

- 2 HOUSING MATERIAL: UL 94 V-0 GLASS FILLED HIGH-TEMP THERMOPLASTIC
POWER CONTACT MATERIAL: COPPER ALLOY
SIGNAL PIN MATERIAL: COPPER ALLOY
- 3. SEE ITEM 7 & 8 IN PRINT 10064183 FOR PLATING SPEC OF 51750-136 AND 51750-136LF RESPECTIVELY.
- 4 MANUFACTURER'S NAME, DATE CODE AND OPTIONAL P/N TO APPEAR ON THIS SURFACE. THE MARK CAN BE OMITTED IF THERE IS NOT ENOUGH SPACE ON THIS SURFACE.
- 5. PRODUCT SPECIFICATION GS-12-149.
APPLICATION SPECIFICATION BUS-20-067.
- 6. PACKAGED IN TRAYS.
- PCB NOTES:
- 7. ALL HOLE DIAMETERS ARE FINISHED HOLE SIZE.
- 8 MOUNTING HOLES, WHERE APPLICABLE, ARE UNPLATED.
- 9 $\varnothing 1.151 \pm 0.025$ DRILLED HOLES PLATED WITH
0.008 MIN SnPb OR Sn OVER 0.03
TO 0.08 Cu PLATING TO ACHIEVE
 $\varnothing 1.02 \pm 0.07$ HOLE.
- 10 CONNECTOR KEEP-OUT ZONE.
- 11. THE VOID CORING IN BETWEEN POWER MODULES, SIGNAL MODULES AND END MODULES ARE OPTIONAL AND THE SHAPE MAY BE DIFFERENT FOR OPTIMIZE THE MOLDING PROCESS. THE VOID CORING WILL NOT EFFECT TO PRODUCT FUNCTION.



Copyright FCI.

| | | | | | | | | |
|-------------|----------------|------------|----------------|----------|------------------------|---|--------------|-----|
| dr | Luo Weller | 2013/10/24 | projection | MM | size | A4 | scale | 1:1 |
| eng | Luo Weller | 2013/10/31 | | | ecn no | - | | |
| chr | - | - | | | rel level | Released | | |
| appr | Pei-Ming Zheng | 2013/10/31 | product family | PwrBlade | rev | A | | |
| | | title | 3P+24S+3P | | dwg no | 51750-136 | | |
| www.fci.com | | cat. no. | * | | Product - Customer Drw | | sheet 4 of 4 | |
| | | | | | | PDS: Rev :A STATUS:Released Printed: Nov 01, 2013 | | |