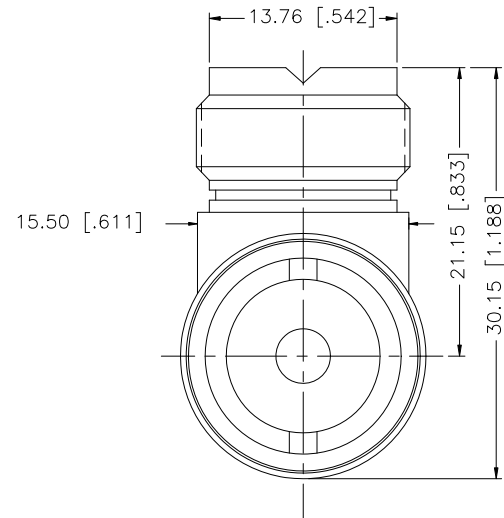
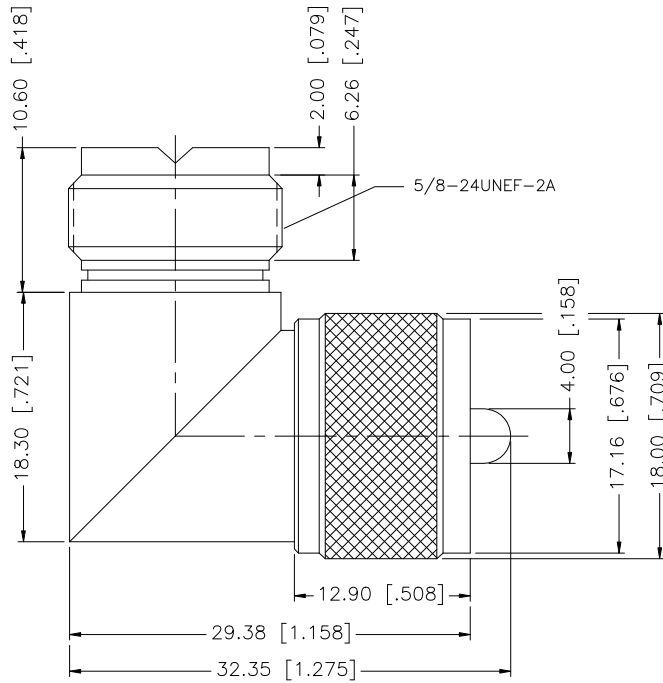
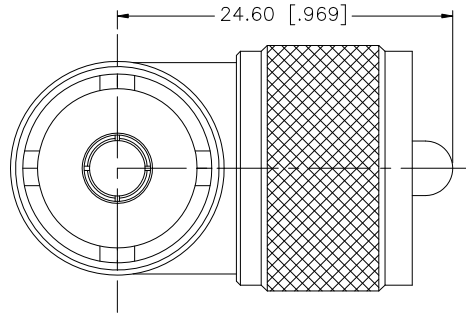


| REV. | DATE | DESCRIPTION |
|------|----------|-----------------|
| NC | 02/05/08 | INITIAL RELEASE |



| | | | | |
|---|-------------|----------|---------|-----|
| 8 | | | | |
| 7 | | | | |
| 6 | | | | |
| 5 | | | | |
| 4 | | | | |
| 3 | CONTACT PIN | BRASS | GOLD | 1 |
| 2 | INSULATOR | PTFE | NATURAL | 1 |
| 1 | BODY | BRASS | NICKEL | 1 |
| | DESCRIPTION | MATERIAL | FINISH | QTY |

UNLESS OTHERWISE SPECIFIED DIMENSIONS ARE IN MILLIMETERS. DIMENSIONS IN [] ARE IN INCHES AND FOR CUSTOMER REFERENCE ONLY.

UNLESS OTHERWISE SPECIFIED TOLERANCES FOR MILLIMETERS ARE:
0.5 - 8mm ± 0.20mm
8 - 30mm ± 0.40mm
30 - 120mm ± 0.50mm

UNLESS OTHERWISE SPECIFIED TOLERANCES FOR INCHES ARE:
.020 - .315 = ± 0.007"
.315 - 1.180 = ± 0.015"
1.180 - 4.724 = ± 0.020"

DO NOT SCALE DRAWING

| APPROVALS | | DATE |
|-------------------|--------|----------|
| DRAWN | G.R.S. | 02/05/08 |
| CHECKED | | |
| ISSUED | | |
| SHEET | 1 OF 1 | |
| CAD FILE | | |
| C:/182/182134.DWG | | |

Amphenol Connex

| | | | |
|-----------------------------|------------|--------|----|
| PART DESCRIPTION | | | |
| UHF ANGLE ADAPTER JACK-PLUG | | | |
| - | | | |
| PART NO. | | 182134 | |
| DWG. NO. | 182134.DWG | REV. | NC |
| SIZE | A | SCALE | NA |