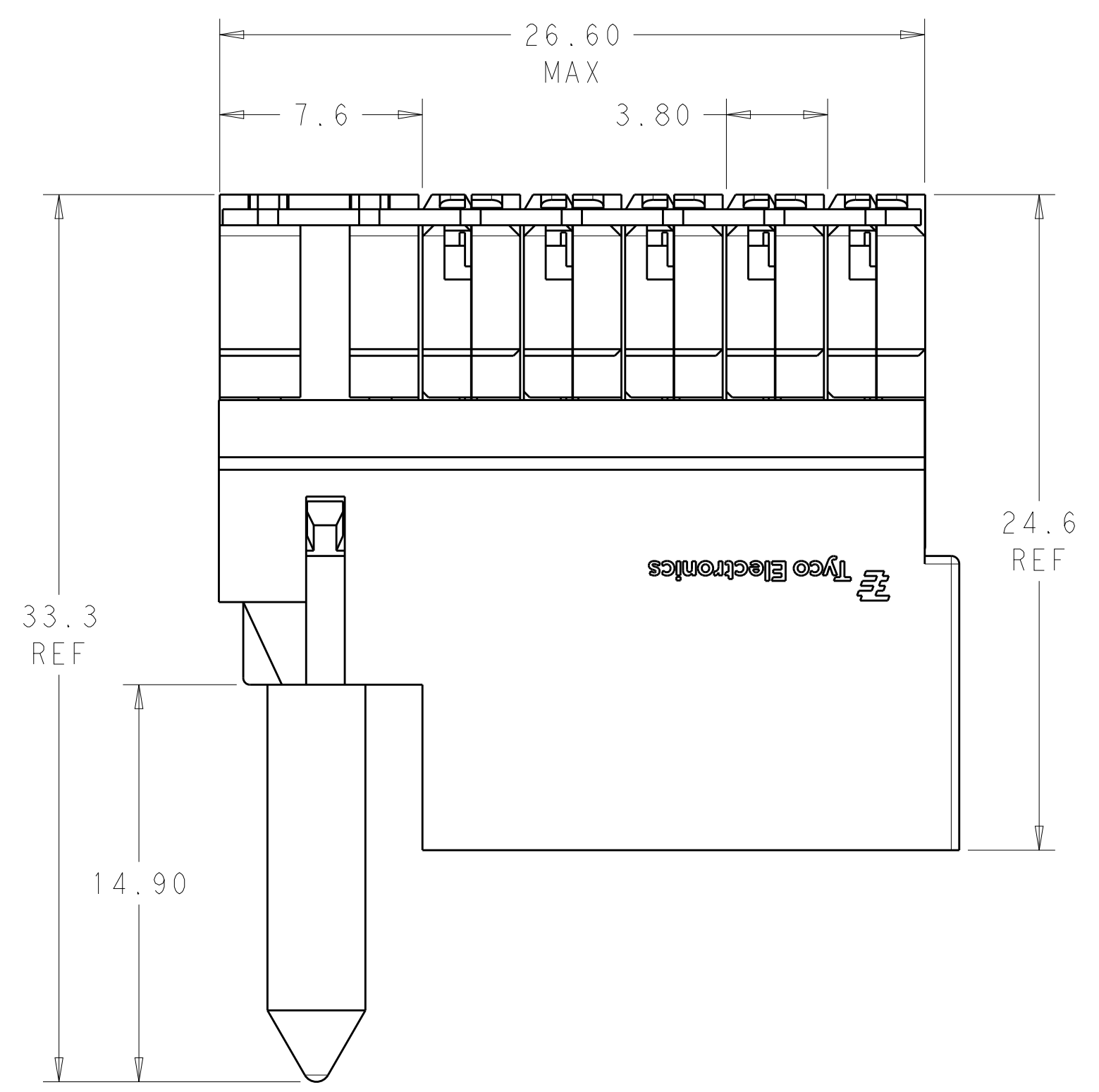
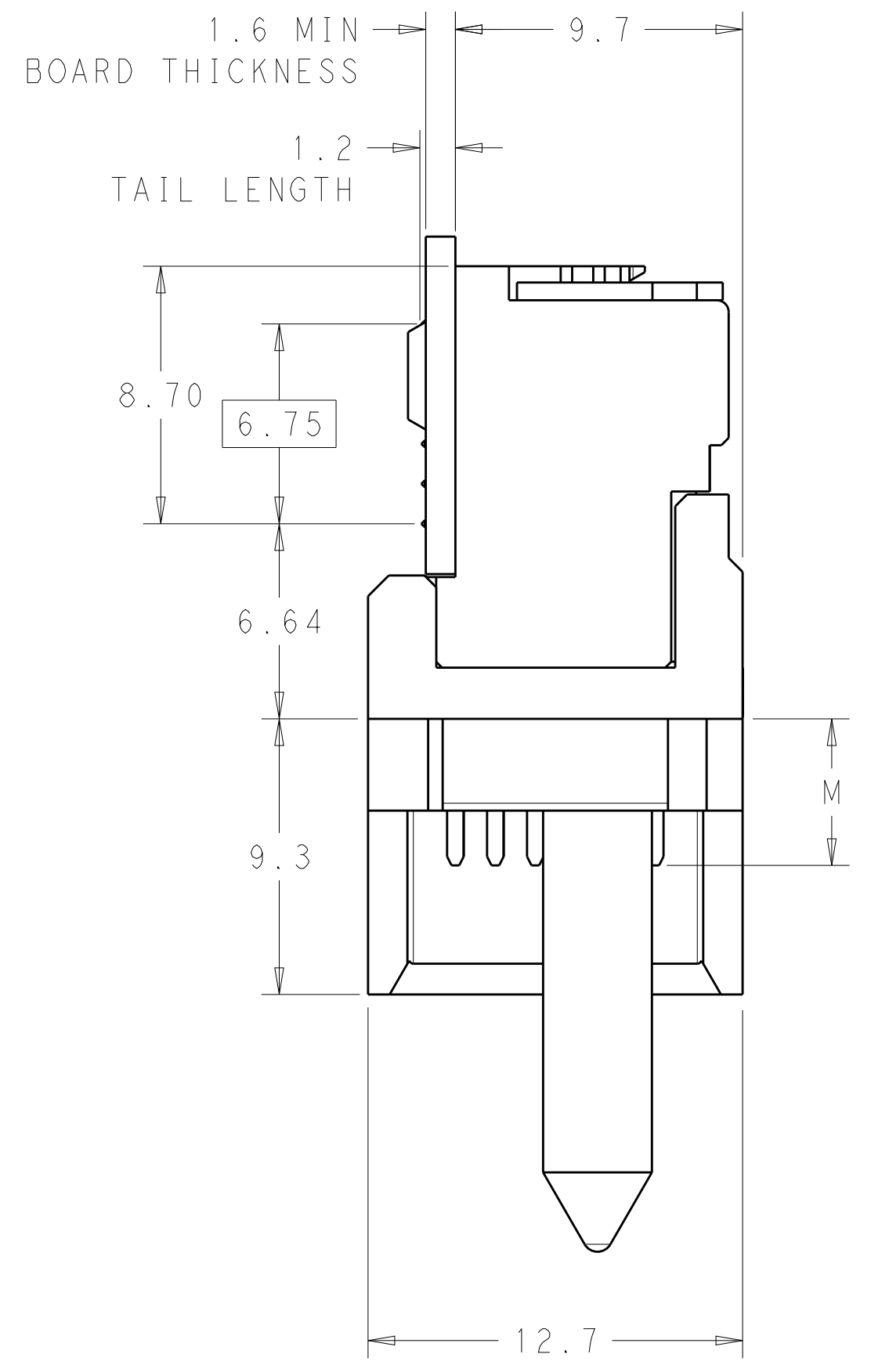
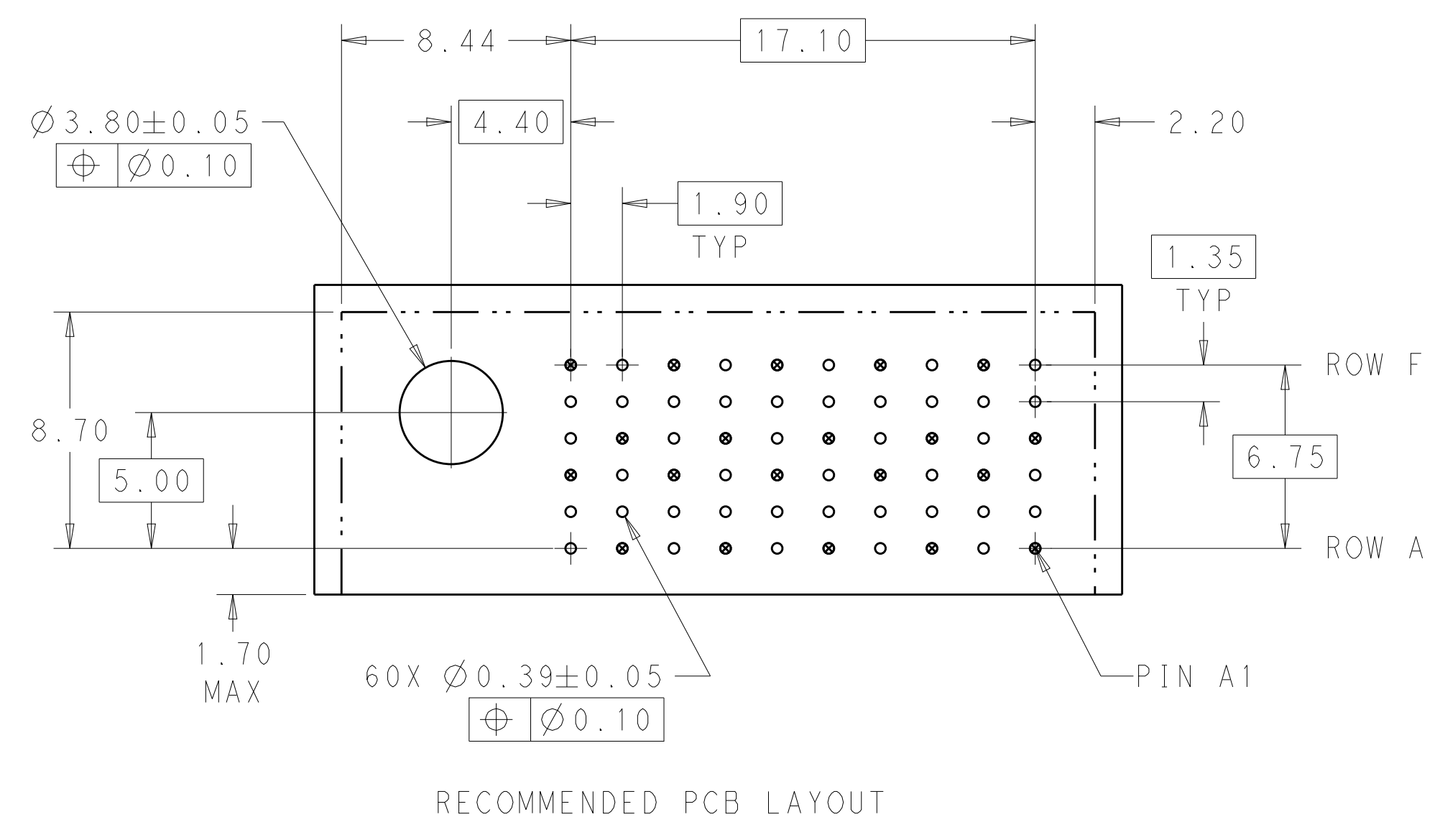
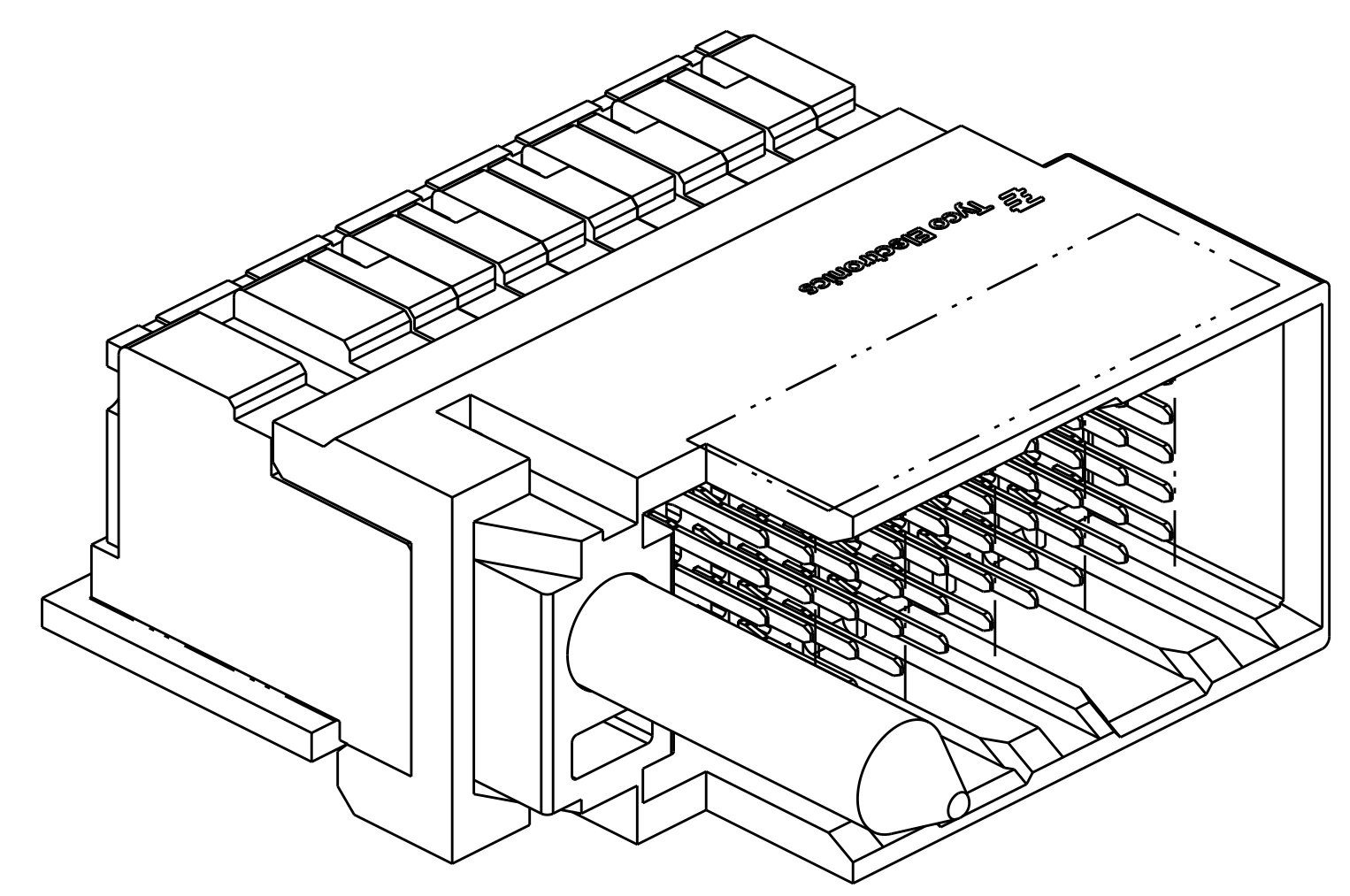
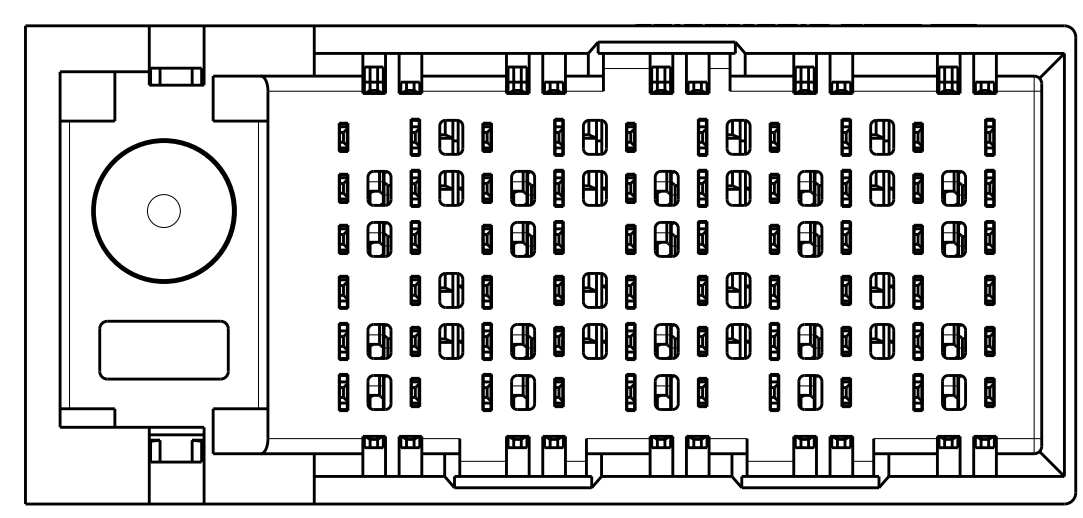


REVISIONS				
P.	LTN	DESCRIPTION	DATE	APVD
B1		REVISED PER ECO-15-003239	24MAR2015	AP DD

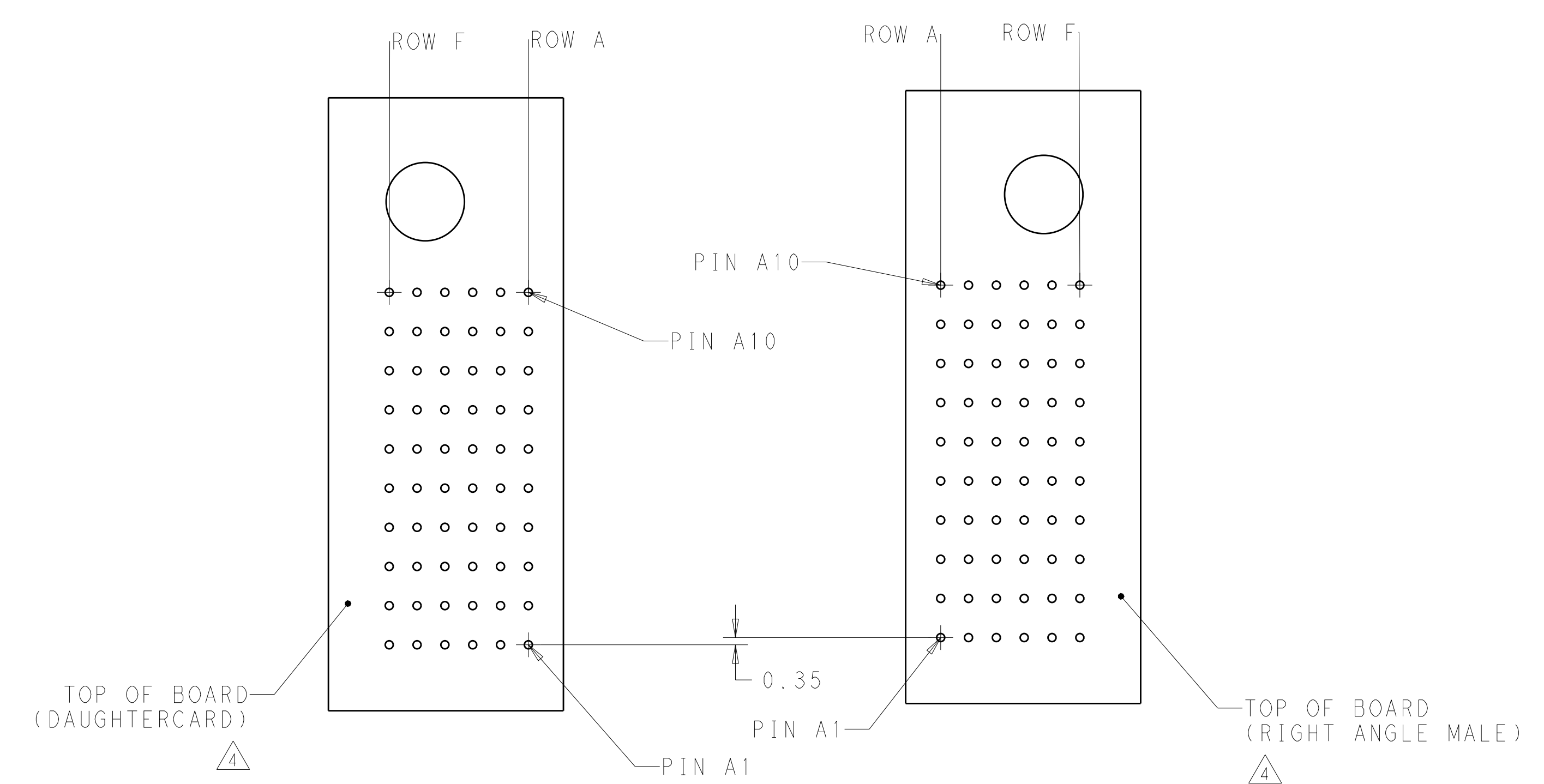


- 1 MATERIAL:  
 HOUSING: LCP, GLASS FILLED, UL94V-0.  
 TERMINALS: HIGH PERFORMANCE COPPER ALLOY.
- 2 FINISH:  
 30µm SELECTIVE GOLD IN CONTACT AREA. SELECTIVE TIN ON PCB TAILS, NICKEL OVERALL.
- 3 FINISH:  
 30µm SELECTIVE GOLD IN CONTACT AREA. SELECTIVE TIN-LEAD ON PCB TAILS, NICKEL OVERALL.
- 4 LEFT GUIDED RIGHT ANGLE MALE MATES TO RIGHT GUIDED RIGHT ANGLE RECEPTACLE.
- 5. CONNECTOR SUPPLIED WITH MOUNTING SCREW.



THIS DRAWING IS A CONTROLLED DOCUMENT.		DWN 07APR2011	TE Connectivity
DIMENSIONS: mm		CHK J. EARY 07APR2011	
TOLERANCES UNLESS OTHERWISE SPECIFIED: 0 PLC ± 1 PLC ±0.25 2 PLC ±0.13 3 PLC ± 4 PLC ± ANGLES ±		APVD J. EARY 07APR2011	NAME IMPACT, STD. RAM, 2 PAIR, 10 COLUMN, LEFT GUIDED RIGHT END WALL SIGNAL MODULE, 0.39 EYELET
MATERIAL SEE TABLE		WEIGHT	SIZE A100779C=2143017
FINISH		Customer Drawing	RESTRICTED TO SCALE 5:1 SHEET 1 OF 2 REV B1

REVISIONS				
P.	LTN.	DESCRIPTION	DATE	APVD.
-	-	SEE SHEET 1	-	-



COPLANAR MATED SIGNAL PATHS



△3	5.50	2143017-6
△3	4.90	2143017-5
△2	5.50	2143017-3
△2	4.90	2143017-2
FINISH	DIM M	PART NUMBER

REFER TO WWW.TE.COM FOR PRODUCT AVAILABILITY

THIS DRAWING IS A CONTROLLED DOCUMENT.		DWN - 07APR2011	TE Connectivity
DIMENSIONS: mm		CHK J. EABY 07APR2011	
TOLERANCES UNLESS OTHERWISE SPECIFIED:		APVD J. EABY 07APR2011	
0 PLC ± 1 PLC ±0.25 2 PLC ±0.13 3 PLC ± 4 PLC ± ANGLES ± FINISH ±		NAME: IMPACT, STD. RAM, 2 PAIR, 10 COLUMN, LEFT GUIDED, RIGHT END WALL SIGNAL MODULE, 0.39 EYELET	
MATERIAL	SEE TABLE	WEIGHT -	RESTRICTED TO
Customer Drawing		SIZE: A100779C=2143017	SCALE: 5:1 SHEET 2 OF 2 REV: B1