

NOTES:

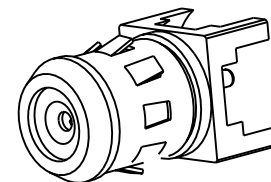
I. MATERIALS OF CONSTRUCTION

BODY - BRASS, BRIGHT ACID TIN PLATED  
 CONTACTS - BeCu, GOLD OVER NICKEL PLATED  
 INSULATOR - PTFE

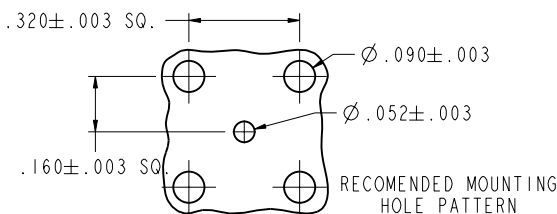
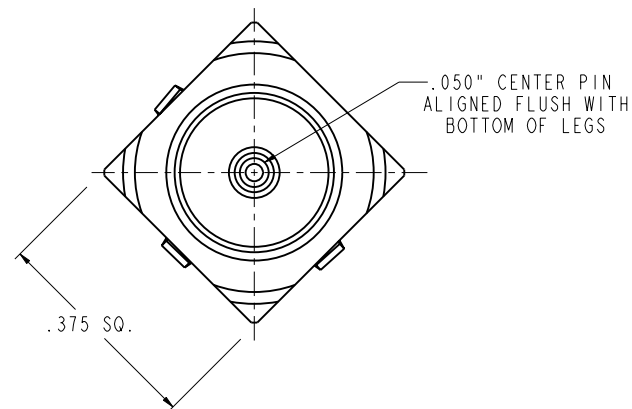
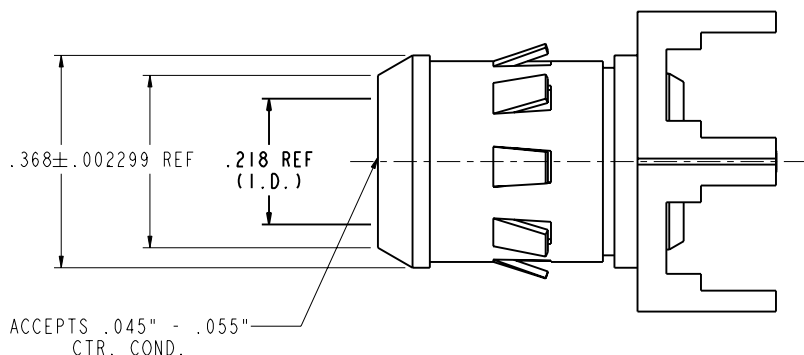
531-40051		REVISIONS			
DRAWING NO.	REV	DESCRIPTION	DATE	ECO	APPR
THIRD ANGLE PROJ.	A	OFFICIAL ENG. RELEASE TO MFG.	2/4/98	42337	JW

CUSTOMER OUTLINE DRAWING

ALL OTHER SHEETS ARE FOR INTERNAL USE ONLY



SCALE 3.000



SCALE 3.000

531-40051-0001	I	I	"G" JACK	SEE S/A
PART NUMBER	QTY.	ITEM	DESCRIPTION	FINISH

UNLESS OTHERWISE SPECIFIED, DIMENSIONS ARE IN INCHES AND TOLERANCES ARE:  
 2 PLACE DECIMAL 3 PLACE DECIMAL ANGLES  
 ± .015 (0.381 mm) ± .005 (0.127 mm) ± 1°

NOTICE - These drawings, specifications, or other data (1) are, and remain the property of Amphenol Corp. (2) must be returned upon request; and (3) are confidential and not to be disclosed to any person other than those to whom they are given by Amphenol Corp. The furnishing of these drawings, specifications, or other data by Amphenol Corp., or to any other person to anyone for any purpose is not to be regarded by implication or otherwise in any manner licensing, granting rights or permitting such holder or any other person to manufacture, use or sell any product, process or design, patented or otherwise, that may in any way be related to or disclosed by said drawings, specifications, or other data.

MATERIAL	DRAWN	DATE	TITLE	Amphenol	
	J. WILKINSON	11-Sep-96	"G" JACK, PCB MOUNT .050" MATING PLUG	Amphenol Corporation Communication and Network Products Division Danbury, CT U.S.A. 06810	
	J. WILKINSON	11-Sep-96		SCALE: 5.0:1 SHEET 1 OF 1	
REFERENCE	APPROVED	DATE	CAD FILE	CODE ID	DWG SIZE
	T. AUBIN	2/3/98	1:\CATV\TYPE\531-40051	74868	B
				DRAWING NO.	REV
				531-40051	A