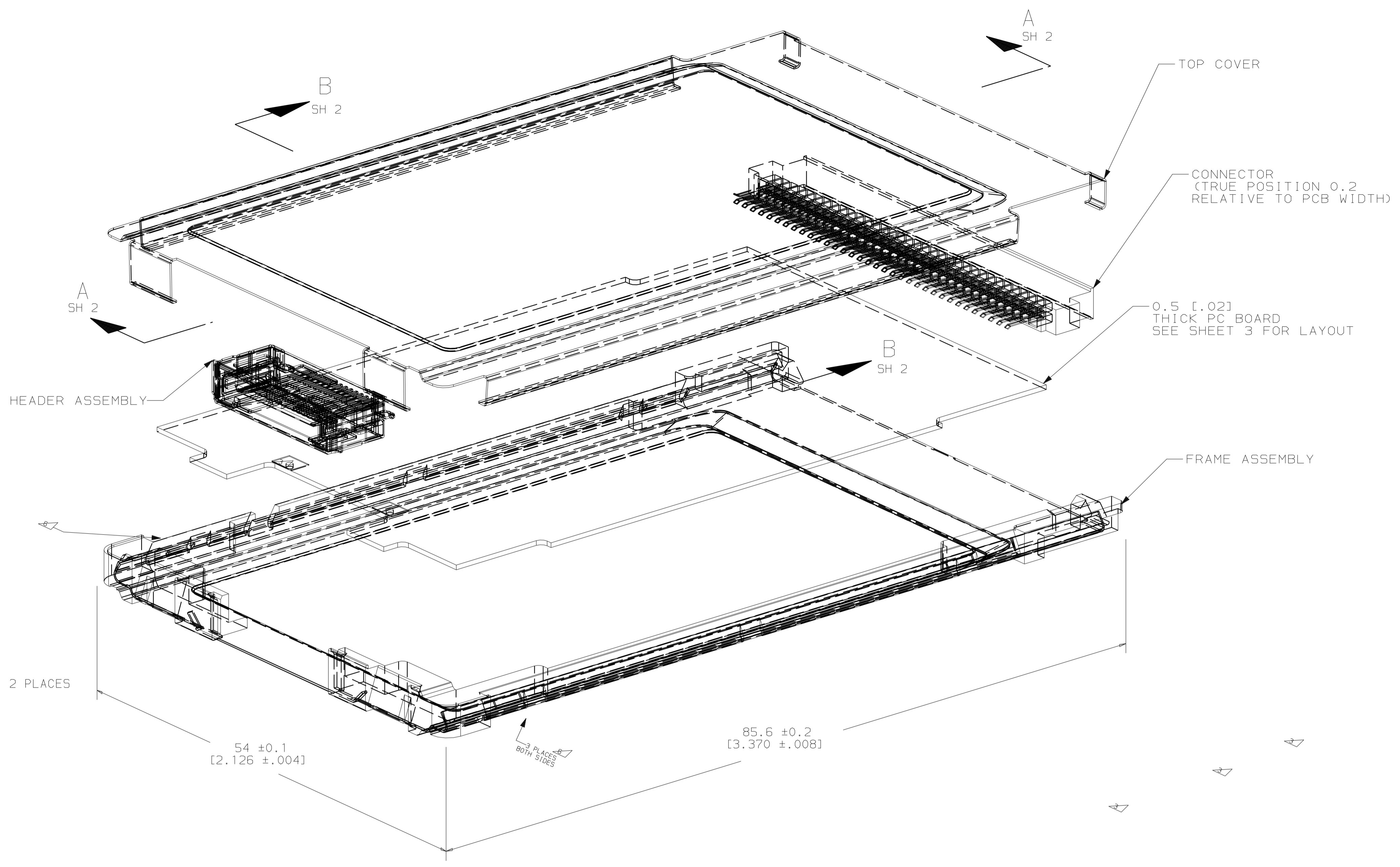


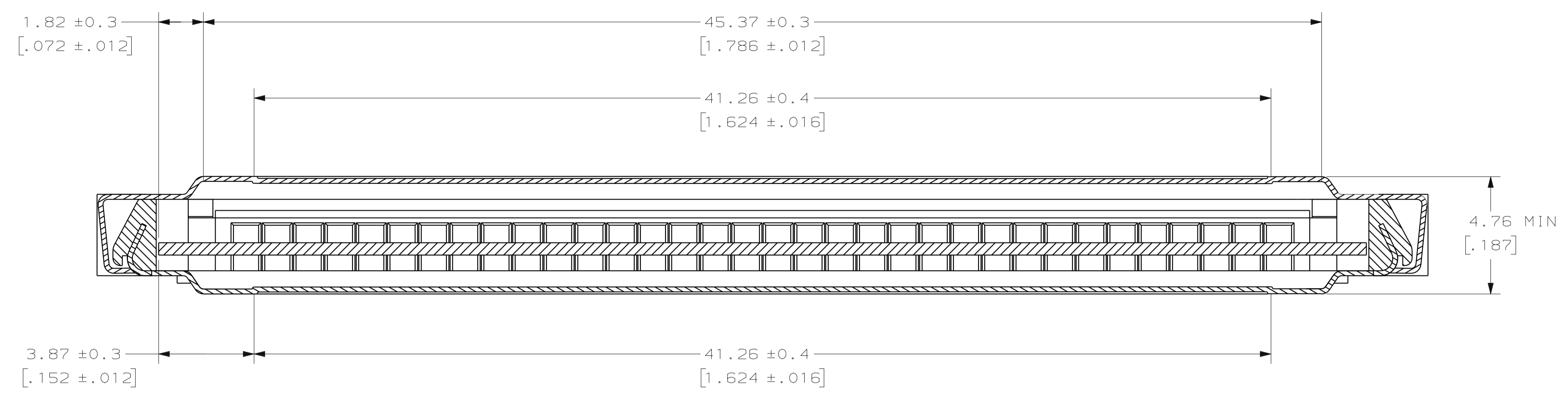
LOC		DIST		REVISIONS			
AA	23	SP	LTR	DESCRIPTION	DATE	DWN	APVD
		D		REV; EC 0210-0708-95	12JAN96	DS	JT



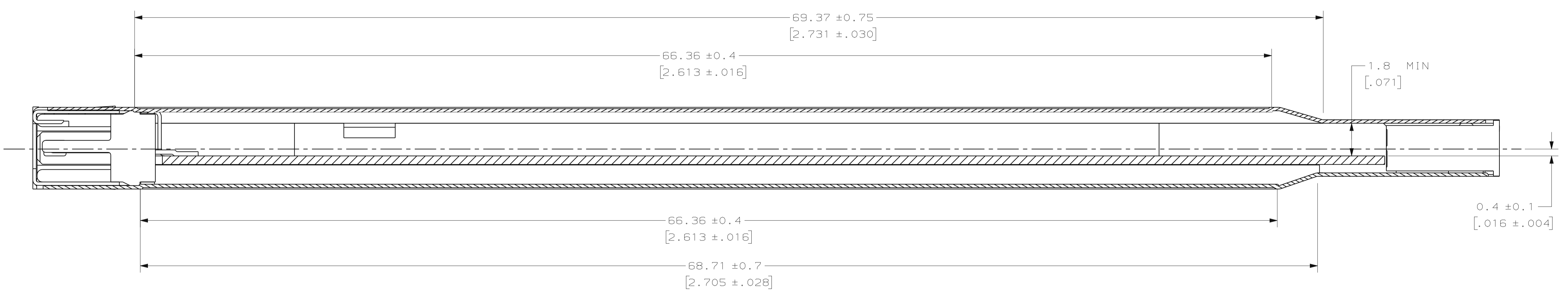
- ⚠ MATERIAL: FRAME-STAINLESS STEEL AND BLACK LCP MOLDING COMPOUND.
- 2. FRAME ASSEMBLY CONFORMS TO PCMCIA DIMENSIONAL STANDARDS.
- ⚠ ITEMS INDICATED ARE SHOWN FOR REFERENCE ONLY AND NOT INCLUDED WITH KIT.
- ⚠ RECESSED AREA SHALL ACCOMODATE A LABEL SIZE OF 38.8 [1.528] X 62 [2.44], 0.08 [0.003] MAXIMUM THICKNESS. RECESSED AREA IS LOCATED ON BOTTOM COVER.
- ⚠ DIMENSION APPLIES TO AREA UNDER LABEL RECESS.
- ⚠ SLOTS FOR TOOL TO REMOVE COVER.
- ⚠ DIMENSIONS APPLY WHEN 6.0 [0.236] WIDE CONNECTOR IS USED.
- ⚠ DIMENSIONS APPLY WHEN 6.6 [0.260] WIDE CONNECTOR IS USED.

SV	WITHOUT RECESSED AREA	558877-2
SV	⚠ WITH RECESSED AREA	558877-1
VOLTAGE	DESCRIPTION	PART NO.

<small>THIS DRAWING IS UNPUBLISHED. RELEASED FOR PUBLICATION .19 .                  © COPYRIGHT 19 94 BY AMP INCORPORATED. ALL RIGHTS RESERVED.</small>		DWN: C. YATES 3/28/95 CHK: D. AHERON 6-16-95 DVID: M. DERSTINE 6-16-95	NAME: AMP Incorporated ADDRESS: Harrisburg, PA 17105-3608
DIMENSIONS: mm [INCHES]	TOLERANCES UNLESS OTHERWISE SPECIFIED: 0 PLC ± - 1 PLC ± - 2 PLC ± - 3 PLC ± - 4 PLC ± - ANGLES ± -	PRODUCT SPEC APPLICATION SPEC	FRAME ASSEMBLY, SHIELDED, TYPE II SERIES III
MATERIAL:  - FINISH: -	WEIGHT: -	SIZE: A1 CASE CODE: 00779 DRAWING NO: C=558877	SCALE: 4:1 SHEET: 1 OF 3 REV: D



SECTION B-B  
 SCALE 8:1  
 ROTATED



SECTION A-A  
 SCALE 8:1  
 ROTATED

THIS DRAWING IS A CONTROLLED DOCUMENT FOR AMP INCORPORATED. IT IS SUBJECT TO CHANGE AND THE CONTROLLING ENGINEERING ORGANIZATION SHALL BE CONTACTED FOR THE LATEST REVISION.

DIMENSIONS: mm (INCHES) TOLERANCES UNLESS OTHERWISE SPECIFIED:

0 PLC	± .005
1 PLC	± .004
2 PLC	± .003
3 PLC	± .002
4 PLC	± .001
ANGLES	± .001
FINISH	± .001

MATERIAL: - - -

OWN: C. YATES 3/28/95  
 CHK: D. AHERON 6-16-95  
 APVD: M. DERSTINE 6-16-95  
 PRODUCT SPEC

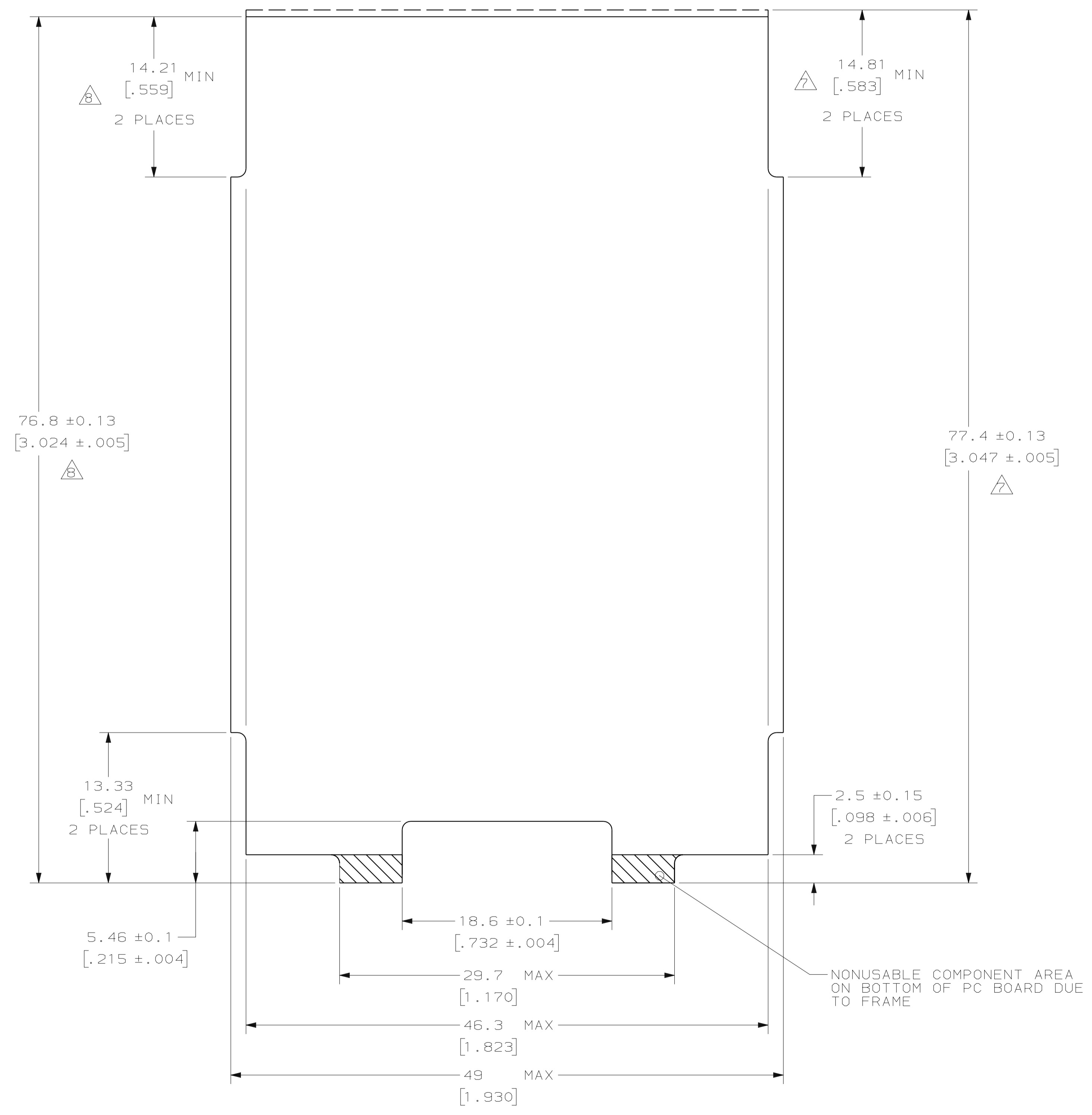
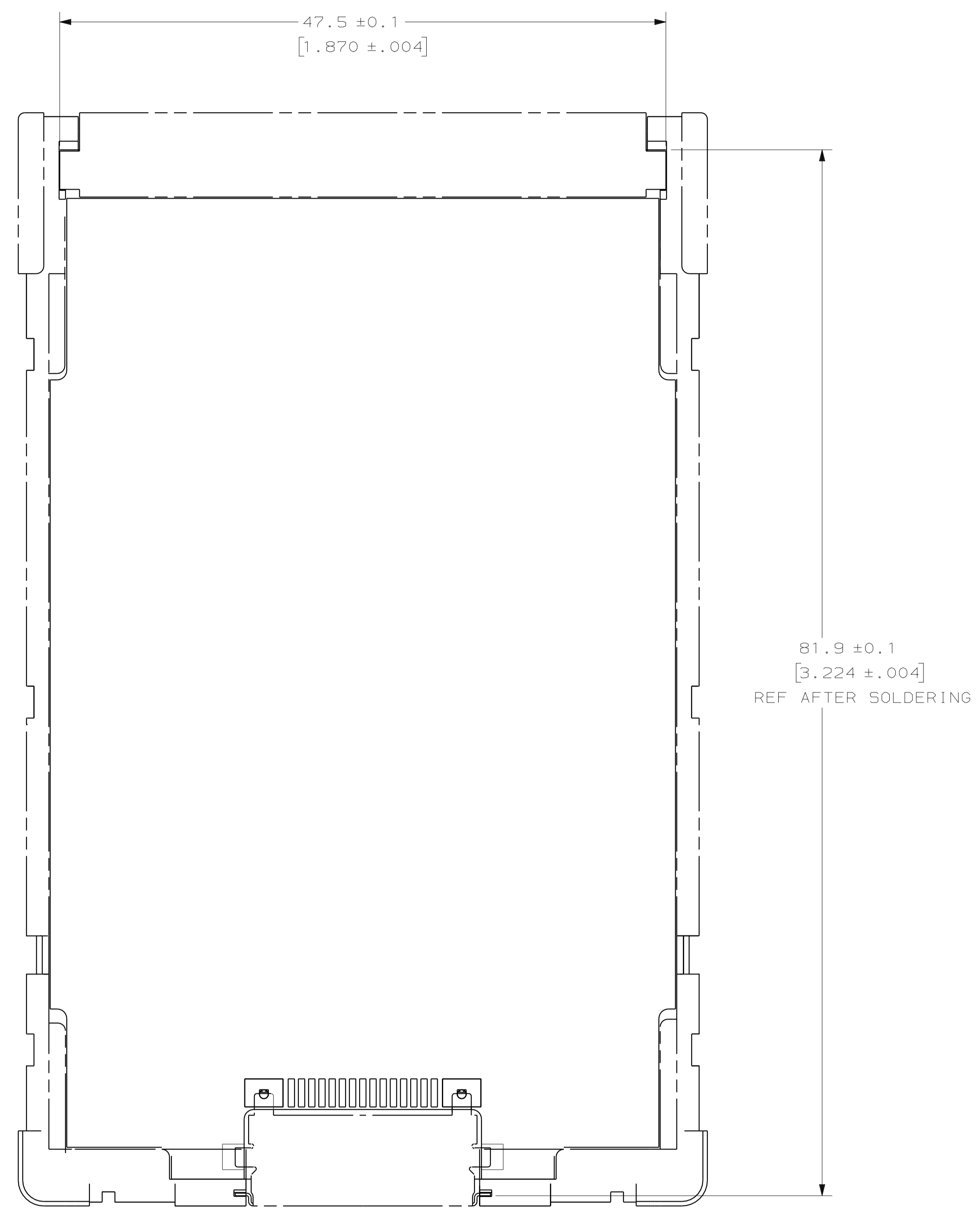
AMP Incorporated  
 Harrisburg, PA 17105-3608

FRAME ASSEMBLY, SHIELDED,  
 TYPE II SERIES III

SIZE: A1 00779 558877  
 SCALE: 4:1 SHEET 2 OF 3 REV D

WEIGHT: - - -  
 CUSTOMER DRAWING

LOC		DIST		REVISIONS			
AA	23	SP	LTR	DESCRIPTION	DATE	DWN	APVD
-	-	-	-	SEE SHEET 1	-	-	-



NONUSABLE COMPONENT AREA  
ON BOTTOM OF PC BOARD DUE  
TO FRAME

SUGGESTED PC BOARD LAYOUT

<small>THIS DRAWING IS A CONTROLLED DOCUMENT FOR AMP INCORPORATED. IT IS SUBJECT TO CHANGE AND THE CONTROLLING ENGINEERING ORGANIZATION SHALL BE CONTACTED FOR THE LATEST REVISION.</small>		DWN: 12-7-94 C. YATES CHK: 6-16-95 D. AHERON DVID: 6-16-95 M. DERSTINE PRODUCT SPEC APPLICATION SPEC WEIGHT: - CUSTOMER DRAWING	AMP Incorporated Harrisburg, PA 17105-3608 NAME: FRAME ASSEMBLY, SHIELDED, TYPE II SERIES III SIZE: A1 CASE CODE: 00779 DRAWING NO: C-558877 SCALE: 4:1 SHEET: 3 OF 3 REV: D
DIMENSIONS: mm (INCHES)	TOLERANCES UNLESS OTHERWISE SPECIFIED: 0 PLC ± - 1 PLC ± - 2 PLC ± - 3 PLC ± - 4 PLC ± - ANGLES ± - FINISH: -	MATERIAL: -	AMP