

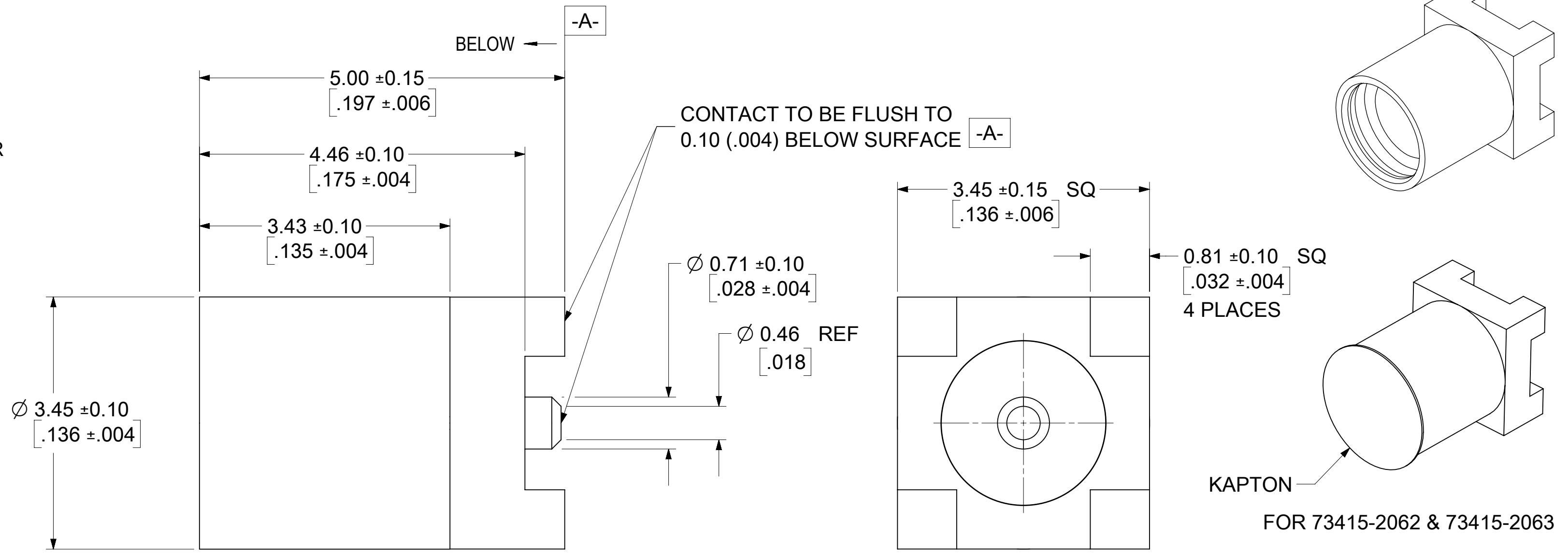
MATERIALS AND FINISHES

BODY BRASS
PLATED GOLD

CENTER CONTACT BERYLLIUM COPPER
PLATED GOLD

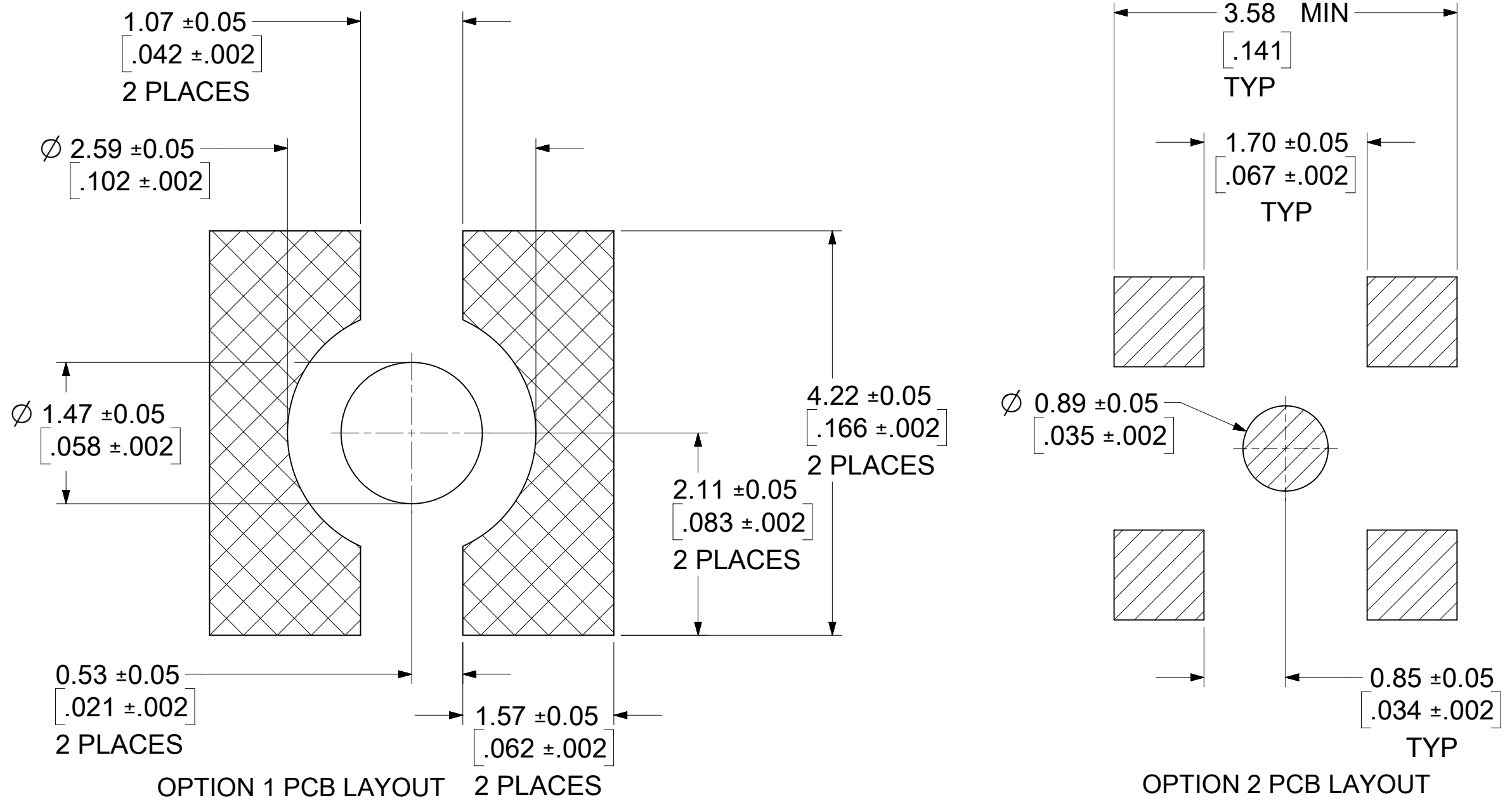
INSULATOR TEFLON

KAPTON
COLOR AMBER

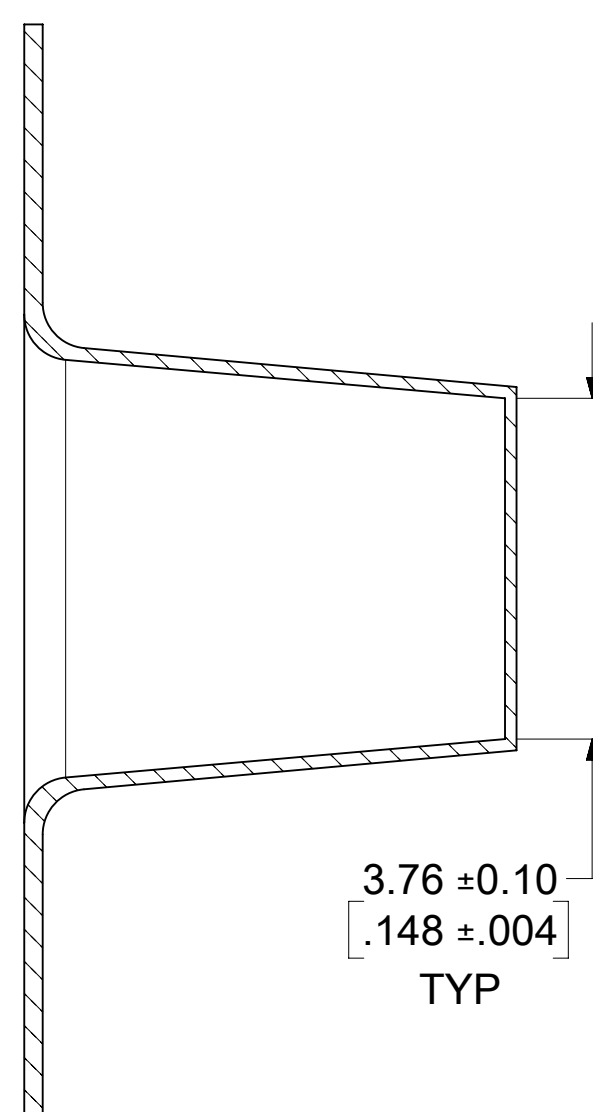
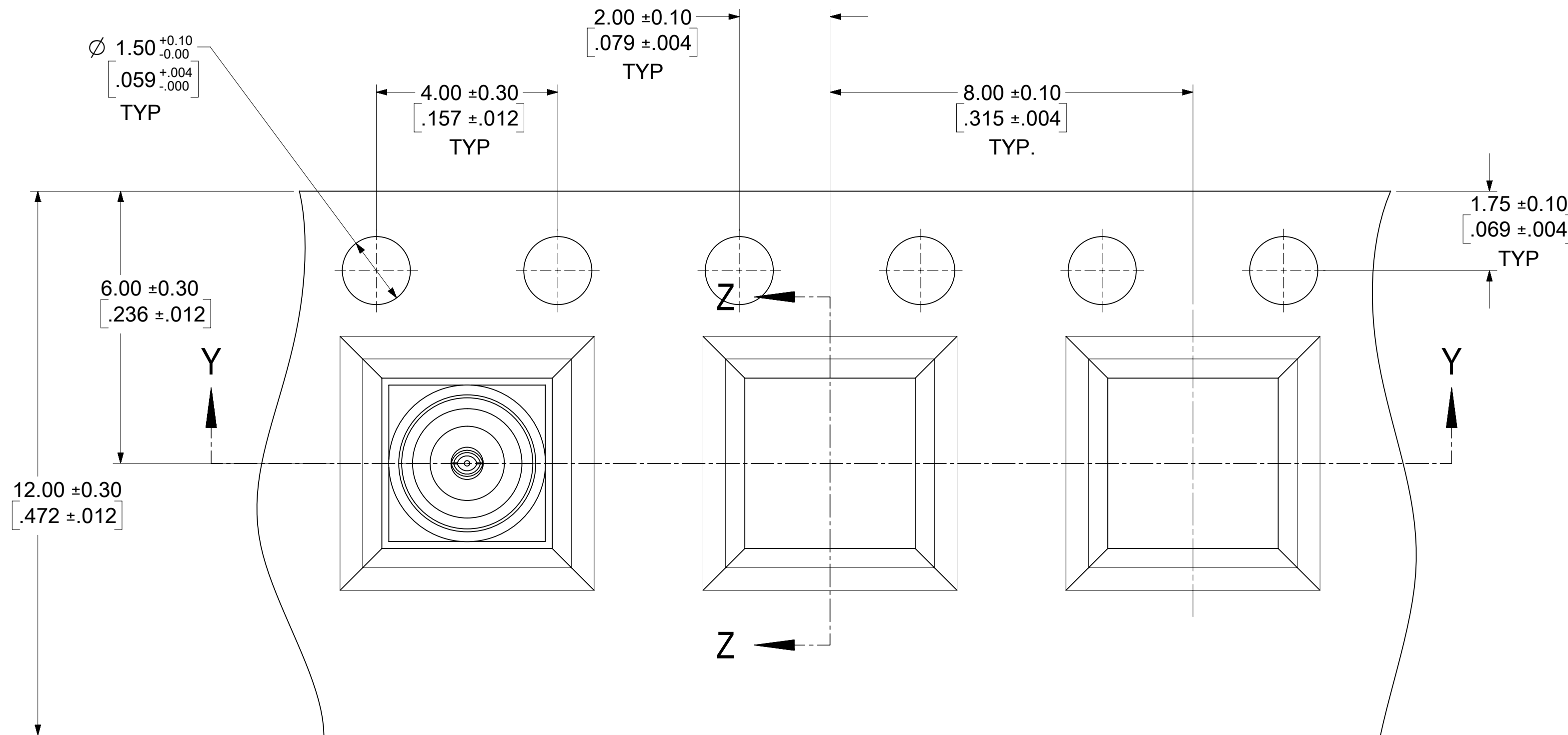


PS-89675-1920	ELECTRO/MECH PERFORM.
SPECIFICATION	DESCRIPTION

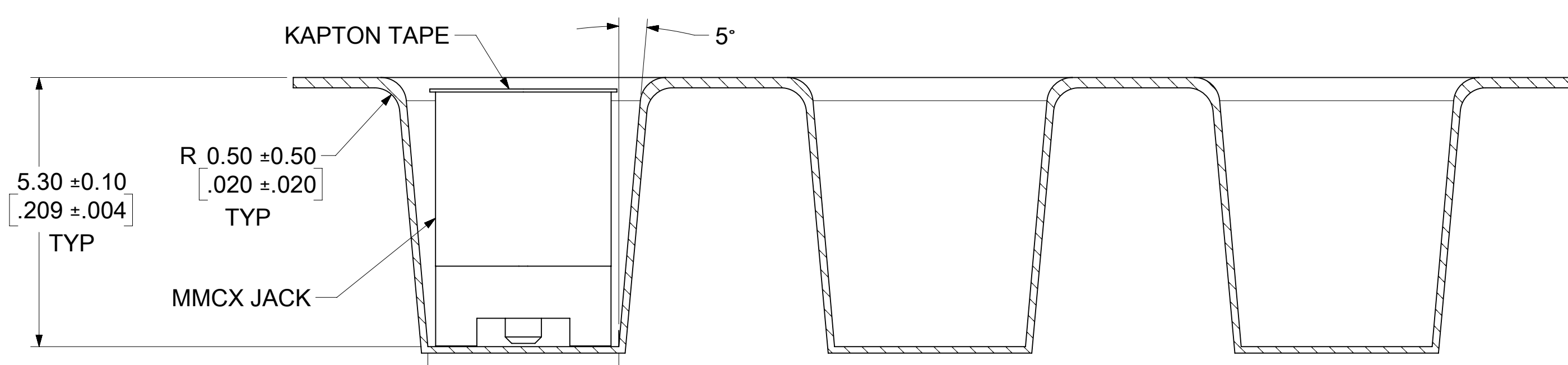
73415-2065	73415-2061 WITH TAPE & REEL WITHOUT KAPTON
73415-2064	73415-2061. ONE PER BAG
73415-2063	73415-2061 WITH TAPE & REEL/KAPTON
73415-2062	73415-2060 WITH TAPE & REEL/KAPTON
73415-2061	PER COMMERCIAL REQUIREMENTS, PACKING TRAY
73415-2060	PER MILITARY REQUIREMENTS, PACKING TRAY
PART NO.	PLATING



FUNCTIONAL SYMBOLS FA = 0 EC = 0 EP = 0 DIVISIONAL SYMBOLS 4 PLACES ± 3 PLACES ± 2 PLACES ± 1 PLACE ± 0 PLACES ±	THIS DRAWING CONTAINS INFORMATION THAT IS PROPRIETARY TO MOLEX ELECTRONIC TECHNOLOGIES, LLC AND SHOULD NOT BE USED WITHOUT WRITTEN PERMISSION		CURRENT REV DESC: EWR # 15708-A : ADDED PACKAGING SPEC FOR -2060 & -2061 PART NO		
	DIMENSION UNITS	SCALE	molex MMCX JACK, VERTICAL PCB/SMT 50 OHMS MMCX-J/PCB		
	MM/INCH	NTS			
	GENERAL TOLERANCES (UNLESS SPECIFIED)		EC NO: 740907 DRWN: JSU18 CHK'D: YCHENG APPR: YCHENG		
ANGULAR TOL ± 2.0°		2023/03/02 2023/03/16 2023/03/16			
INITIAL REVISION:		PRODUCT CUSTOMER DRAWING DOCUMENT NUMBER DOC TYPE DOC PART REVISION			
DRWN: TFLAHERTY		SD-73415-206 PSD 001 B2			
APPR: JWIENER		MATERIAL NUMBER CUSTOMER SHEET NUMBER			
DRAFT WHERE APPLICABLE MUST REMAIN WITHIN DIMENSIONS		THIRD ANGLE PROJECTION	DRAWING	SERIES	GENERAL MARKET
			C-SIZE	73415	1 OF 5



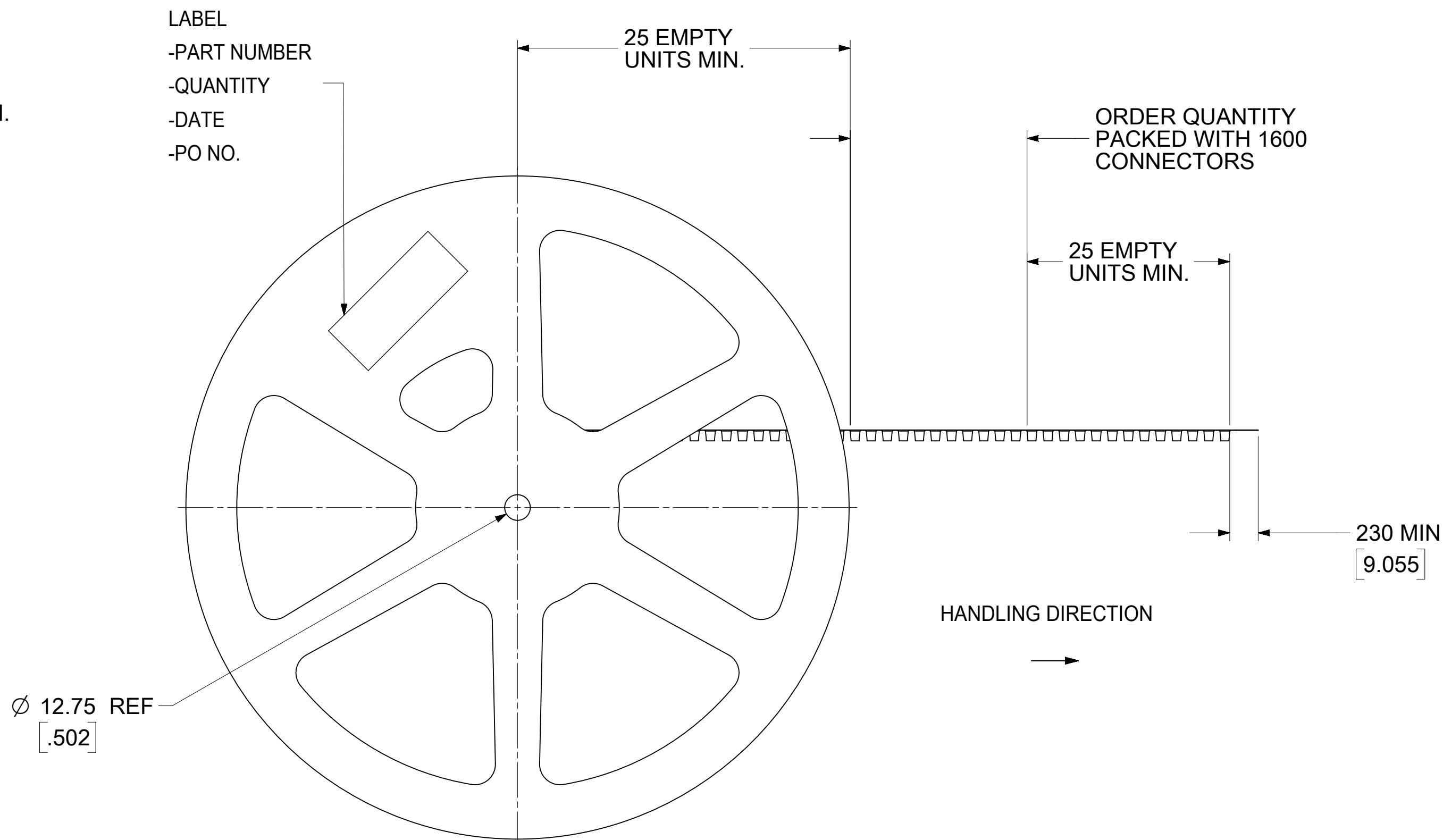
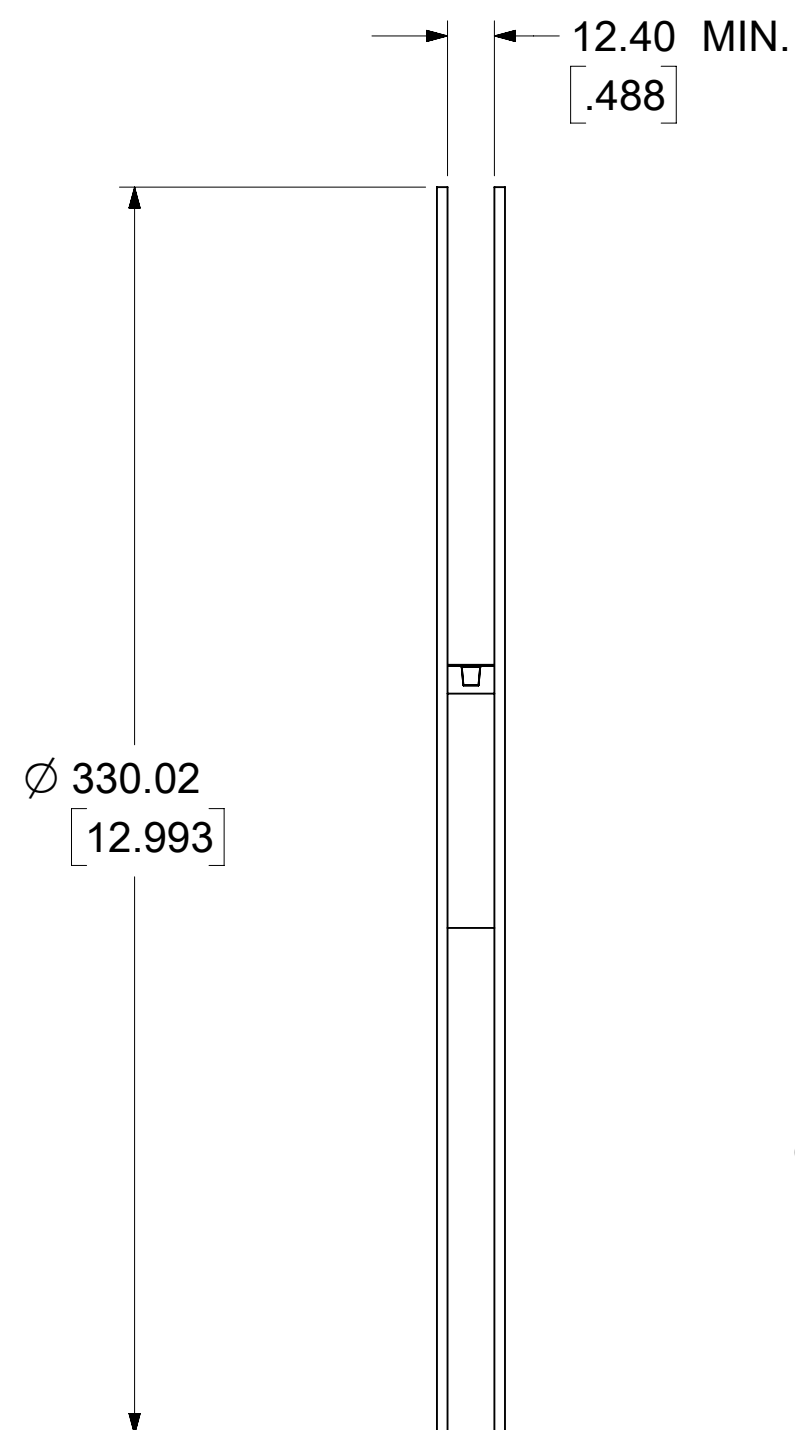
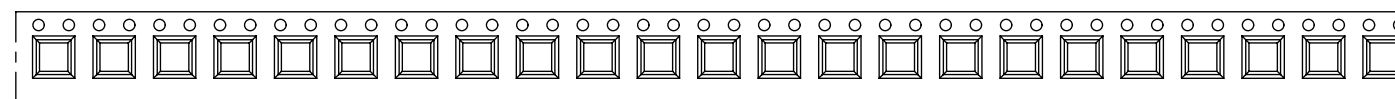
SECTION Z-Z



SECTION Y-Y

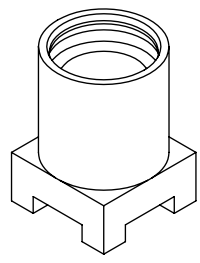
FUNCTIONAL SYMBOLS	THIS DRAWING CONTAINS INFORMATION THAT IS PROPRIETARY TO MOLEX ELECTRONIC TECHNOLOGIES, LLC AND SHOULD NOT BE USED WITHOUT WRITTEN PERMISSION													
	FA = 0	DIMENSION UNITS	SCALE	CURRENT REV DESC: EWR # 15708-A : ADDED PACKAGING SPEC FOR -2060 & -2061 PART NO										
FC = 0	MM/INCH	NTS	GENERAL TOLERANCES (UNLESS SPECIFIED)							MMCX JACK, VERTICAL PCB/SMT 50 OHMS MMCX-J/PCB				
FD = 0	ANGULAR TOL ± 2.0°			EC NO: 740907							PRODUCT CUSTOMER DRAWING			
DIVISIONAL SYMBOLS	4 PLACES ±			DRWN: JSU18							2023/03/02			
	3 PLACES ±			CHK'D: YCHENG							2023/03/16			
	2 PLACES ±			APPR: YCHENG							2023/03/16			
	1 PLACE ±			INITIAL REVISION:										
0 PLACES ±			DRWN: TFLAHERTY							2006/02/09				
DRAFT WHERE APPLICABLE MUST REMAIN WITHIN DIMENSIONS			THIRD ANGLE PROJECTION			DRAWING		SERIES		DOCUMENT NUMBER		DOC TYPE	DOC PART	REVISION
						C-SIZE		73415		SD-73415-206		PSD	001	B2
										MATERIAL NUMBER		CUSTOMER		SHEET NUMBER
												GENERAL MARKET		2 OF 5

NOTE:
13" REEL SIZE FOR 1600 PIECES

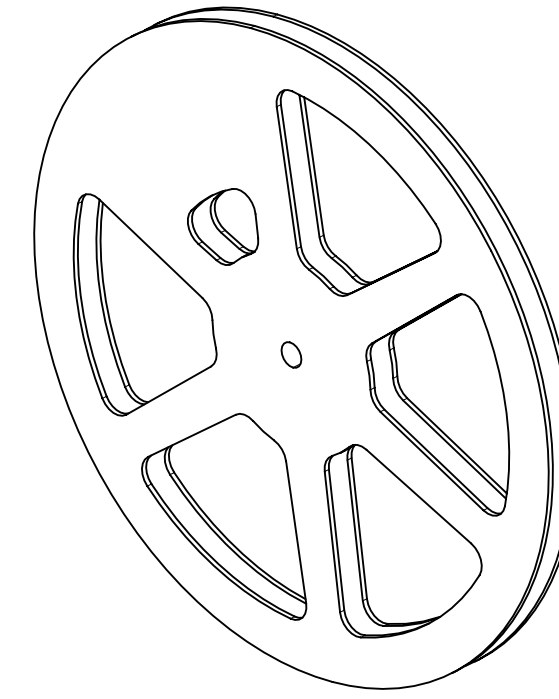
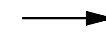
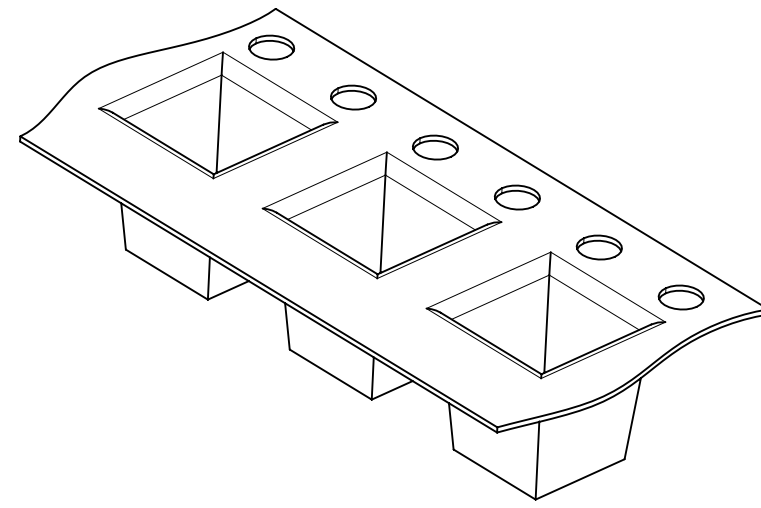
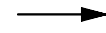


THIS DRAWING CONTAINS INFORMATION THAT IS PROPRIETARY TO MOLEX ELECTRONIC TECHNOLOGIES, LLC AND SHOULD NOT BE USED WITHOUT WRITTEN PERMISSION									
FUNCTIONAL SYMBOLS	DIMENSION UNITS	SCALE	CURRENT REV DESC: EWR # 15708-A : ADDED PACKAGING SPEC FOR -2060 & -2061 PART NO						
$\frac{F}{A} = 0$	MM/INCH	NTS	molex MMCX JACK, VERTICAL PCB/SMT 50 OHMS MMCX-J/PCB PRODUCT CUSTOMER DRAWING						
$\frac{F}{C} = 0$	GENERAL TOLERANCES (UNLESS SPECIFIED)								
$\frac{F}{P} = 0$	ANGULAR TOL $\pm 2.0^\circ$								
DIVISIONAL SYMBOLS	4 PLACES	\pm	EC NO: 740907	2023/03/02	DOCUMENT NUMBER: SD-73415-206 DOC TYPE: PSD DOC PART: 001 REVISION: B2				
	3 PLACES	\pm	DRWN: JSU18	2023/03/16					
	2 PLACES	\pm	CHK'D: YCHENG	2023/03/16					
	1 PLACE	\pm	APPR: YCHENG	2023/03/16	INITIAL REVISION:		MATERIAL NUMBER: GENERAL MARKET CUSTOMER: GENERAL MARKET SHEET NUMBER: 3 OF 5		
	0 PLACES	\pm	DRWN: TFLAHERTY	2006/02/09	APPR: JWIENER				
DRAFT WHERE APPLICABLE MUST REMAIN WITHIN DIMENSIONS			THIRD ANGLE PROJECTION	DRAWING	SERIES				
				C-SIZE	73415				

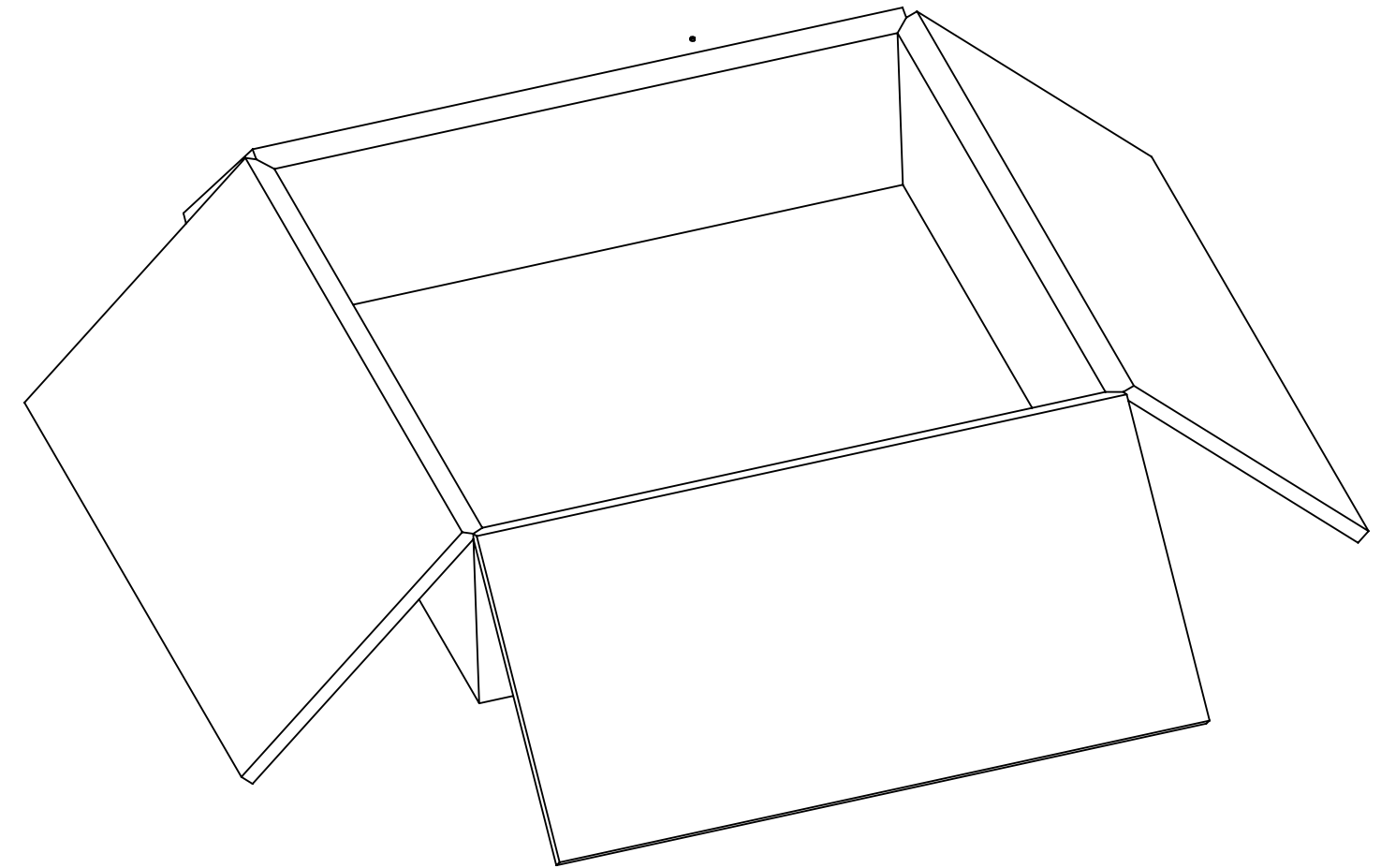
DOCUMENT STATUS	P1	RELEASE DATE	2023/03/16	04:28:02
-----------------	----	--------------	------------	----------



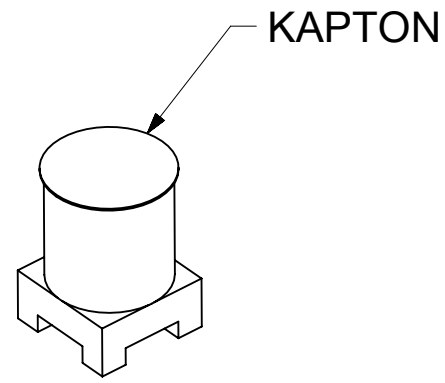
PART NO. 73415-2065



1600 SET PER 13" REEL



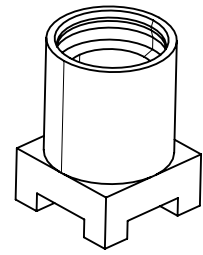
8000 CONNECTORS PER
OUTER CARTON BOX
339 X 339 X 100 REF.



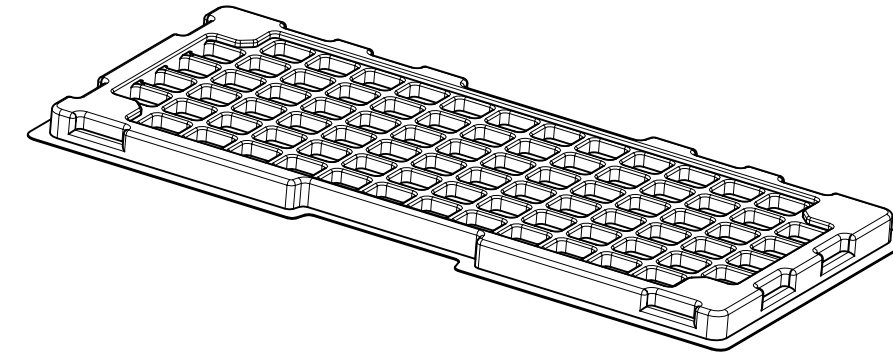
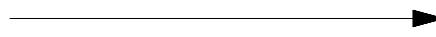
PART NO 73415-2062
PART NO 73415-2063

FUNCTIONAL SYMBOLS	THIS DRAWING CONTAINS INFORMATION THAT IS PROPRIETARY TO MOLEX ELECTRONIC TECHNOLOGIES, LLC AND SHOULD NOT BE USED WITHOUT WRITTEN PERMISSION											
	DIMENSION UNITS	SCALE	CURRENT REV DESC: EWR # 15708-A : ADDED PACKAGING SPEC FOR -2060 & -2061 PART NO								molex	
$\frac{F}{A} = 0$	MM/INCH	NTS	GENERAL TOLERANCES (UNLESS SPECIFIED)									
$\frac{F}{C} = 0$	ANGULAR TOL $\pm 2.0^\circ$		EC NO: 740907								PRODUCT CUSTOMER DRAWING	
$\frac{F}{P} = 0$	4 PLACES \pm		DRWN: JSU18 2023/03/02								DOCUMENT NUMBER	
DIVISIONAL SYMBOLS	3 PLACES \pm		CHK'D: YCHENG 2023/03/16								DOC TYPE	
	2 PLACES \pm		APPR: YCHENG 2023/03/16								DOC PART	
	1 PLACE \pm		INITIAL REVISION:								REVISION	
	0 PLACES \pm		DRWN: TFLAHERTY 2006/02/09								SD-73415-206	
	DRAFT WHERE APPLICABLE MUST REMAIN WITHIN DIMENSIONS		THIRD ANGLE PROJECTION		DRAWING		SERIES		MATERIAL NUMBER			
					C-SIZE		73415		CUSTOMER			
									GENERAL MARKET			
									SHEET NUMBER			
									4 OF 5			

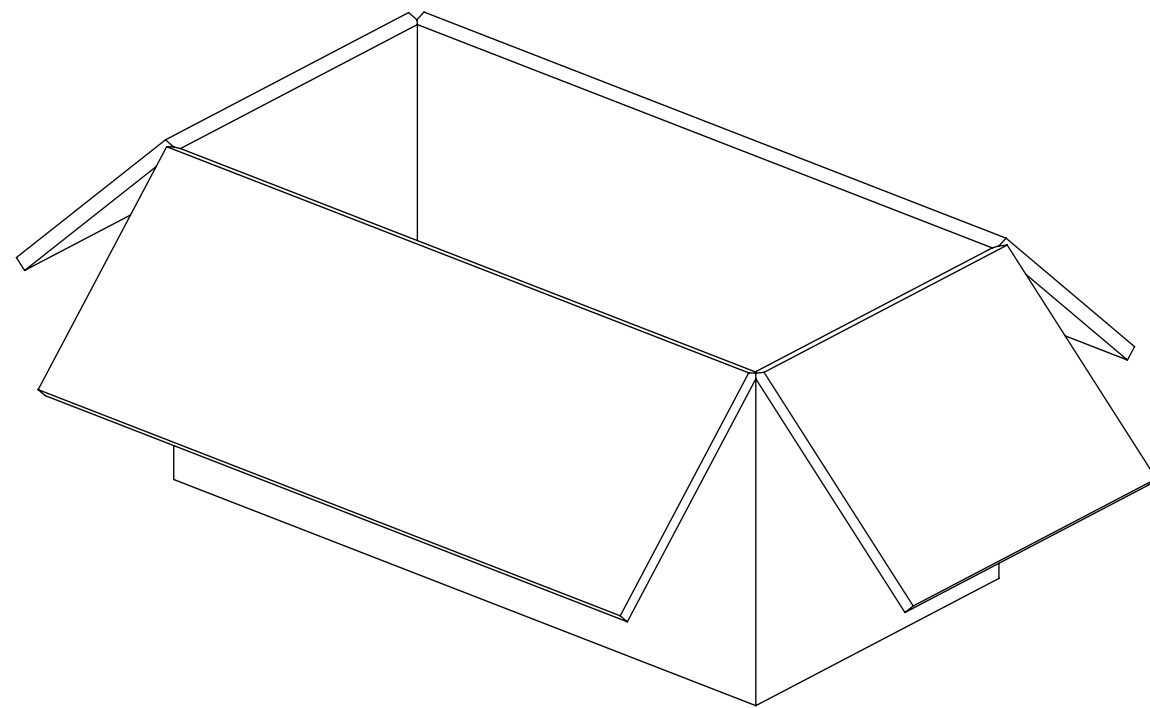
DOCUMENT STATUS	P1	RELEASE DATE	2023/03/16	04:28:02
-----------------	----	--------------	------------	----------



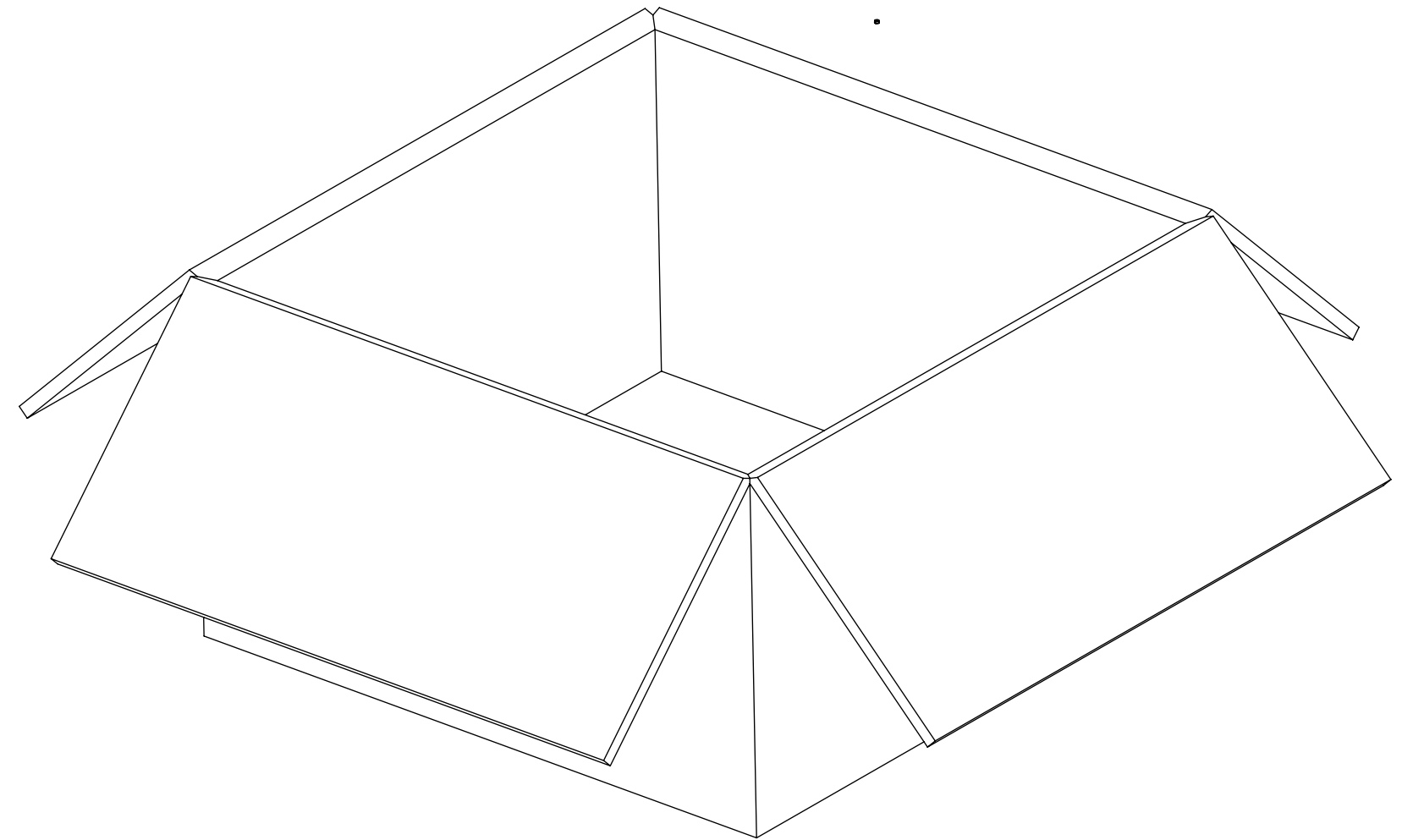
PART NO : 73415-2060
PART NO : 73415-2061



80 SET PER TRAY
P/N: 89707-0190



1600 SET PER INNER CARTON BOX
P/N: 96707-0001



3200 SET PER OUTER CARTON BOX
P/N: 96708-0005

FUNCTIONAL SYMBOLS										THIS DRAWING CONTAINS INFORMATION THAT IS PROPRIETARY TO MOLEX ELECTRONIC TECHNOLOGIES, LLC AND SHOULD NOT BE USED WITHOUT WRITTEN PERMISSION													
DIMENSION UNITS		SCALE		CURRENT REV DESC: EWR # 15708-A : ADDED PACKAGING SPEC FOR -2060 & -2061 PART NO																			
MM/INCH		NTS																					
GENERAL TOLERANCES (UNLESS SPECIFIED)										EC NO: 740907													
ANGULAR TOL ± 2.0°										DRWN: JSU18 2023/03/02													
4 PLACES ±										CHK'D: YCHENG 2023/03/16													
3 PLACES ±										APPR: YCHENG 2023/03/16													
2 PLACES ±										INITIAL REVISION:													
1 PLACE ±										DRWN: TFLAHERTY 2006/02/09													
0 PLACES ±										APPR: JWIENER 2006/02/09													
DIVISIONAL SYMBOLS										THIRD ANGLE PROJECTION		DRAWING		SERIES		DOCUMENT NUMBER		DOC TYPE		DOC PART		REVISION	
DRAFT WHERE APPLICABLE MUST REMAIN WITHIN DIMENSIONS												C-SIZE		73415		SD-73415-206		PSD		001 B2			
										MATERIAL NUMBER		CUSTOMER		SHEET NUMBER									
												GENERAL MARKET		5 OF 5									