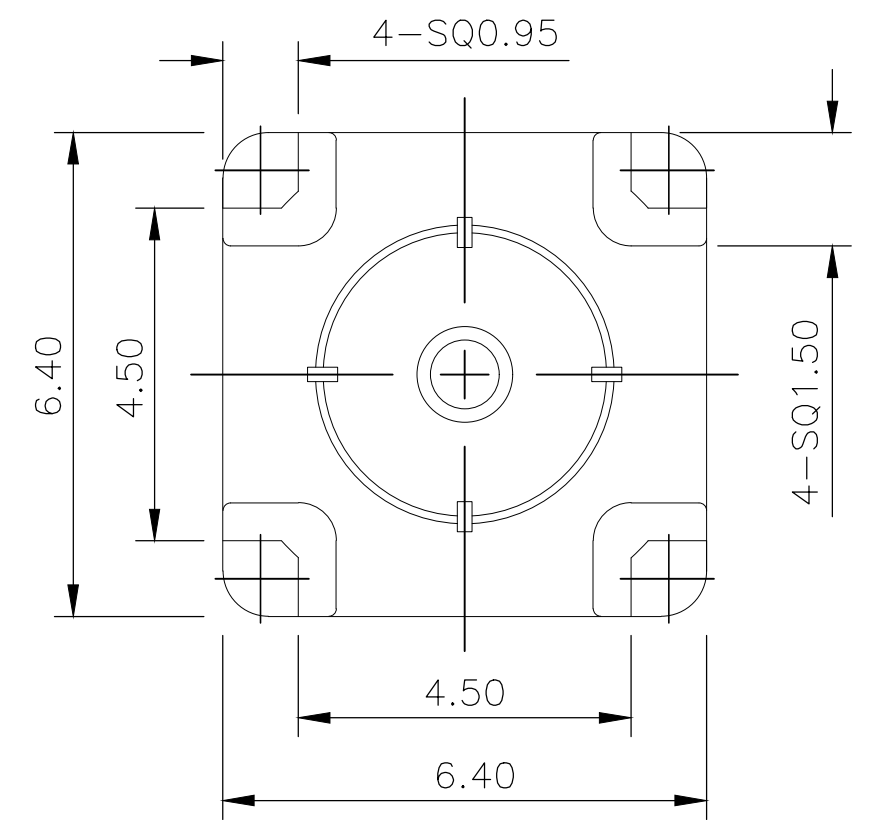
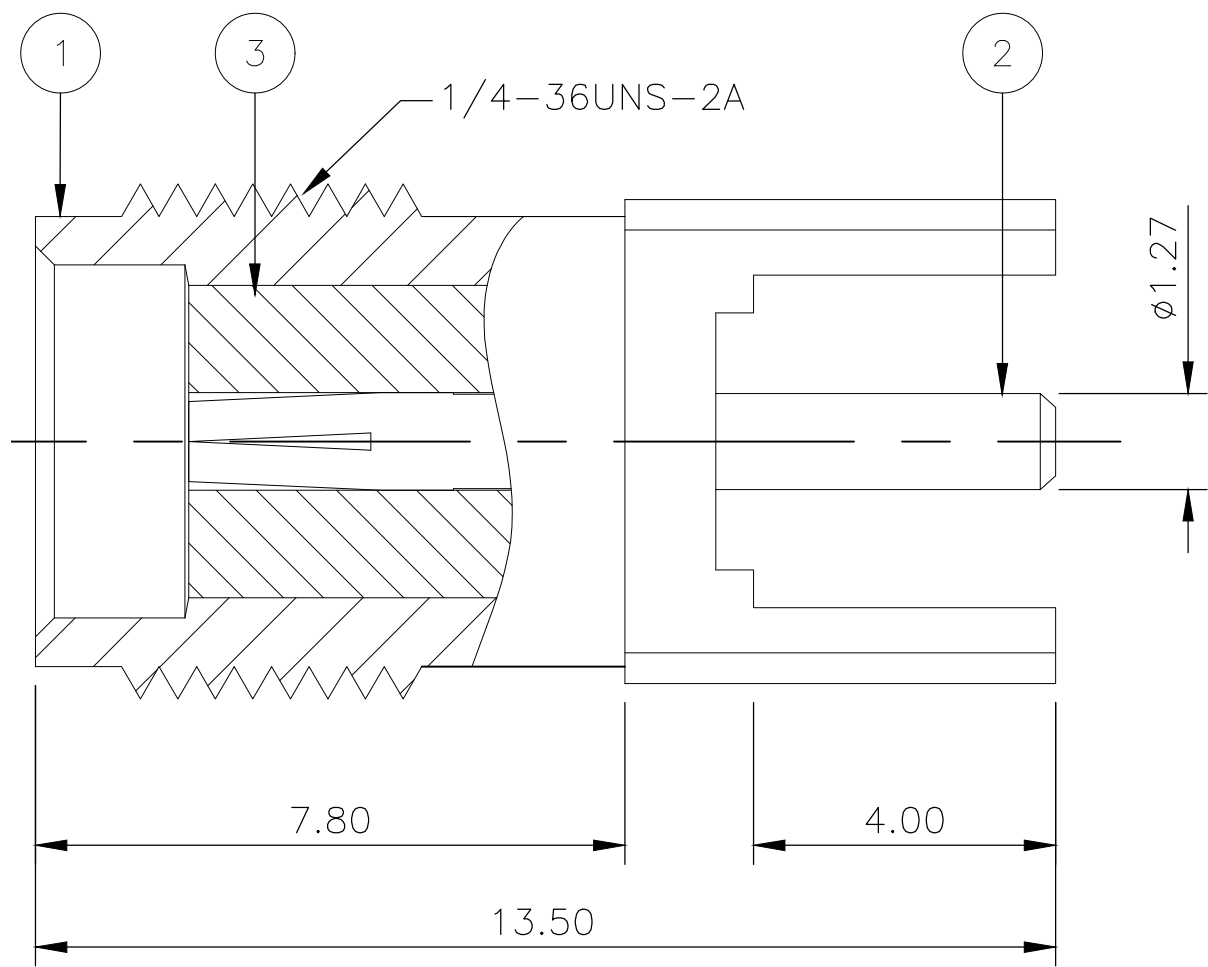
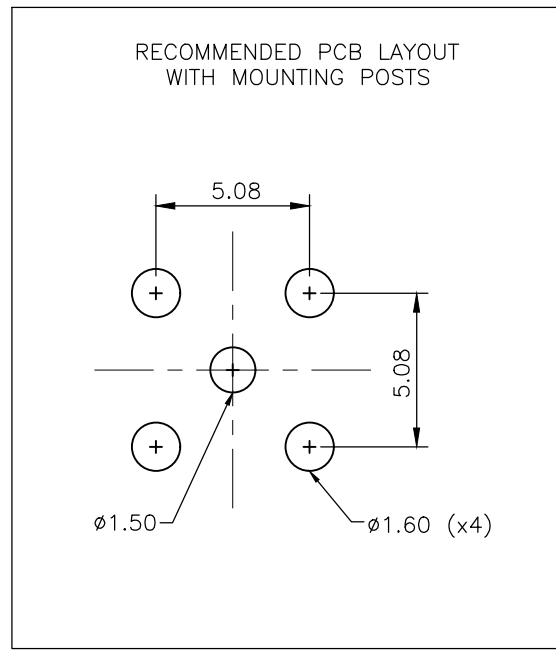


THIS DRAWING IS UNPUBLISHED. RELEASED FOR PUBLICATION JULY, 2006.
 © COPYRIGHT 2006 By - ALL RIGHTS RESERVED.

P	LTR	DESCRIPTION	DATE	DWN	APVD
	C	REVISED PER ECR-19-016112	05NOV2019	ED	RS

NOTES

- 1 SINGLE PACK IN ACCORDANCE WITH AMP SPEC 107-3275
- 2 100 TRAY PACK IN ACCORDANCE WITH AMP SPEC 107-3275
- 3 Au PLATING
- 4 TAPE AND REEL PACKAGING, 350/REEL X 4 = 1400 PER BOX, DETAIL PARKAGING INFORMATION IS IN PAGE 2



ELECTRICAL	MECHANICAL	ENVIRONMENTAL
Impedance (Ohm) <u>50</u>	Interface Dimension MIL-STD-348B Fig. <u>310-2</u>	TEMPERATURE RANGE <u>-65°C TO + 165°C</u>
Frequency Range (GHz) <u>DC to 6GHz</u>	Recommended Coupling Torque <u>7 to 10 In-Lbs</u>	THERMAL SHOCK <u>MIL-STD-202, METH.107, COND.B</u>
Voltage Rating (Peak) <u>335 V RMS</u> @ Sea Level	Force to Engage and Disengage (In/lbs) <u>2.0 MAX</u>	CORROSION <u>MIL-STD-202, METH.101, COND.B</u>
Insulation Resistance (MIN.) <u>1000 M ohms</u>	Center Contact Captivation Axial (Lbs) <u>3.0</u> Radial (In/Oz) <u>N/A</u>	VIBRATION <u>MIL-STD-202, METH.204, COND.B</u>
Contact Resistance (Milliohms MAX) Center Contact <u>3.0</u> Outer Contact <u>2.0</u>	Cable Retention Axial (Lbs) <u>N/A</u>	SHOCK <u>MIL-STD-202, METH.213, COND.I</u>
Dielectric Withstand Voltage: <u>1000 V RMS Max</u>	Mating cycles <u>500</u> cycles	MOISTURE RESISTANCE <u>MIL-STD-202, METH.106,</u>
Insertion Loss : <u>N/A dB</u>		ROHS <u>COMPLIANT</u>
VSWR: <u>1.3 MAX</u>		
RF leakage: <u>N/A</u>		
3rd Intermodulation: <u>N/A</u>		

QUANTITY PER ASSY		PARTS LIST		
1	1	PTFE	INSULATOR	3
1	1	BERYLLIUM COPPER	SOCKET	2
1	1	ZINC ALLOY	BODY	1
5	25	MATERIAL	DESCRIPTION	ITEM

THIS DRAWING IS A CONTROLLED DOCUMENT.

DWN ANSON MA	19FEB09	 TE Connectivity	NAME SMA STRAIGHT PCB SOCKET DIE CAST		
CHK RITA ZUO	19FEB09				
APVD BOB ZHAO	19FEB09				
PRODUCT SPEC					
APPLICATION SPEC		SIZE	CAGE CODE	DRAWING NO	RESTRICTED TO
MATERIAL SEE TABLE	FINISH -	WEIGHT 0.000000	A300779	C-1814832	
CUSTOMER DRAWING			SCALE NTS	SHEET 1 OF 2	REV C

THIS DRAWING IS UNPUBLISHED.

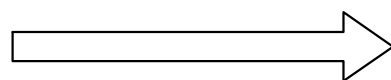
RELEASED FOR PUBLICATION , JULY 2006

REVISIONS

© COPYRIGHT 2006 By -

ALL RIGHTS RESERVED.

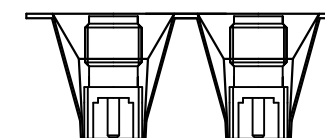
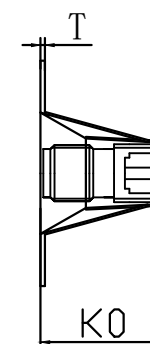
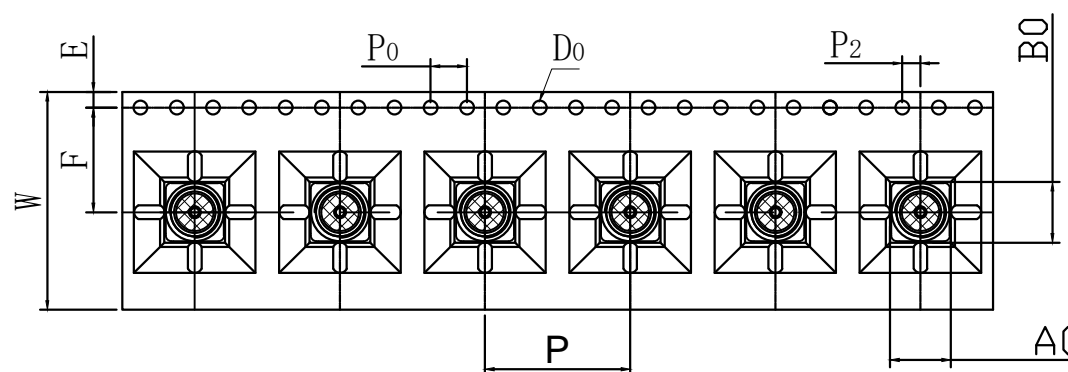
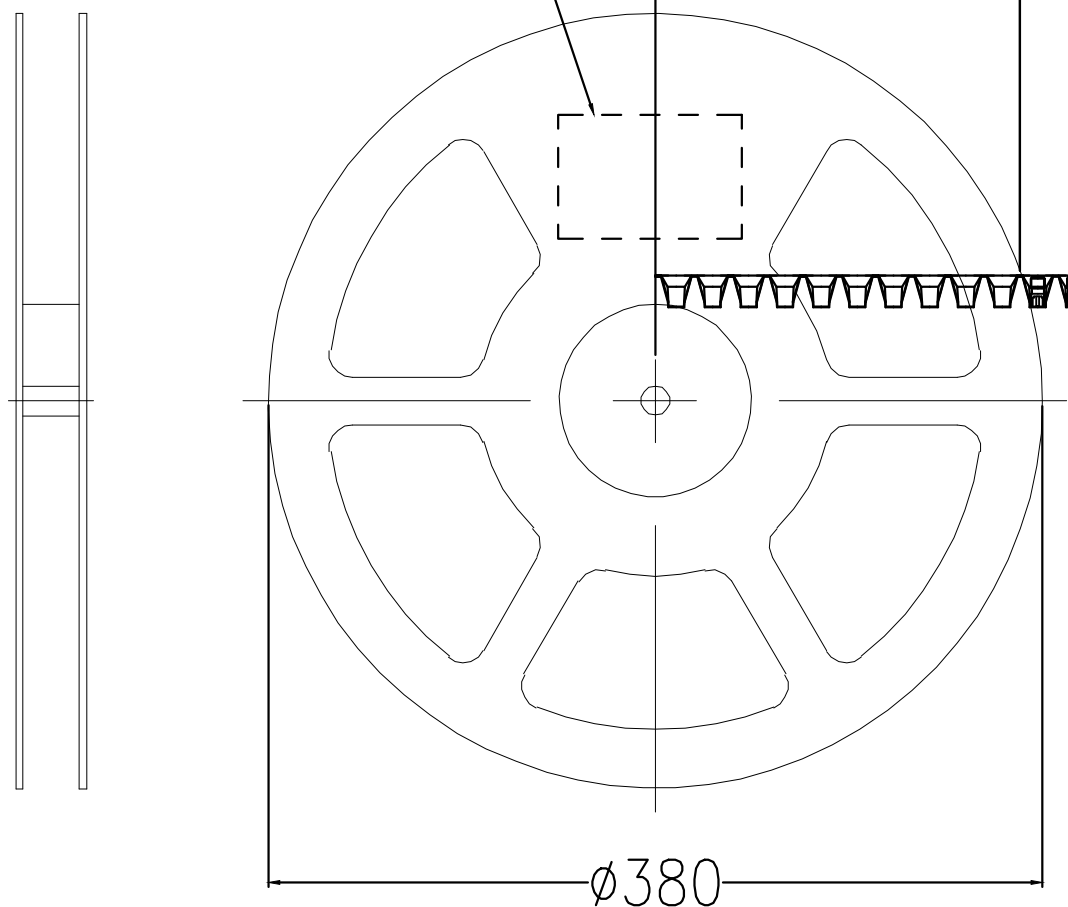
P	LTR	DESCRIPTION	DATE	DWN	APVD
-	-	SEE SHEET 1	-	-	-



Direction of loading and discharging

LABEL

BLANK 10PLCS 350 PCS BLANK 10 PLCS



symbol	AO	BO	KO	PO	P	P2
Spec	6.70±0.10	6.70±0.10	13.80±0.10	4.00±0.10	16.0±0.10	2.00±0.10
symbol	W	T	E	F	DO	
Spec	24.0±0.30	0.50 ^{+0.05} _{-0.00}	1.75±0.10	14.2±0.10	1.50±0.10	

THIS DRAWING IS A CONTROLLED DOCUMENT.		DWN ANSON MA 19FEB09	TE Connectivity			
DIMENSIONS: mm		CHK RITA ZUO 19FEB09				
TOLERANCES UNLESS OTHERWISE SPECIFIED:		APVD BOB ZHAO 19FEB09	NAME SMA STRAIGHT PCB SOCKET DIE CAST			
 0 PLC ± - 1 PLC ± - 2 PLC ± 0.1 3 PLC ± - 4 PLC ± - ANGLES ± -		PRODUCT SPEC 108-112000	RESTRICTED TO -			
MATERIAL SEE TABLE		FINISH -	APPLICATION SPEC -	SIZE A3	CAGE CODE 00779	DRAWING NO C-1814832
		WEIGHT 0.000000	RESTRICTED TO -			
		CUSTOMER DRAWING	SCALE NTS	SHEET 2 OF 2	REV C	