

Tyco Electronics Part Number	Previous Part Number	Description	Cable Type
1045506-1	1034 7196 02	SSMA Bulkhead Feedthrough Cable Jack Connector (Crimp Attachment)	RG178/U, 196

Figure 1

an outer sleeve, and a sheath (shrink tubing). See Figure 1.

## 1. INTRODUCTION

This instruction sheet contains the assembly procedure for the SSMA Bulkhead Feedthrough Cable Jack Connector shown in Figure 1. This connector is a crimp attachment type connectors that attaches to the cable listed in Figure 1.

The table in Figure 2 references the tooling used to apply this connector. The table includes tool descriptions, the Tyco Electronics part number, and the corresponding (previous) part number.

Tyco Electronics Part Number	Previous Part Number	Description
1055463-1	2098 5237 10	Center Contact Holder (T-4579)
1055236-1	2098 0105 54	Crimp Tool and Die
1055781-1	2598 5007 54	Hex Crimp Die
1055780-1	2598 5006 54	Crimp Tool

Figure 2



Dimension on this sheet are in millimeters [with inches in brackets], unless otherwise specified.

Reasons for revision can be found in Section 4, REVISION SUMMARY.

## 2. DESCRIPTION

The SSMA Bulkhead Feedthrough Cable Jack Connector consists of a housing assembly, a dielectric, a center contact, an inner sleeve assembly,

## 3. ASSEMBLY PROCEDURE



Follow safety precautions included with the tools used for assembly.

- Place the outer sleeve and sheath on the cable.



To avoid personal injury, be sure to use appropriate safety equipment, including gloves, when using cable stripping tools.

- Strip the cable according to the dimension in Figure 3.
- Flare the cable braid.

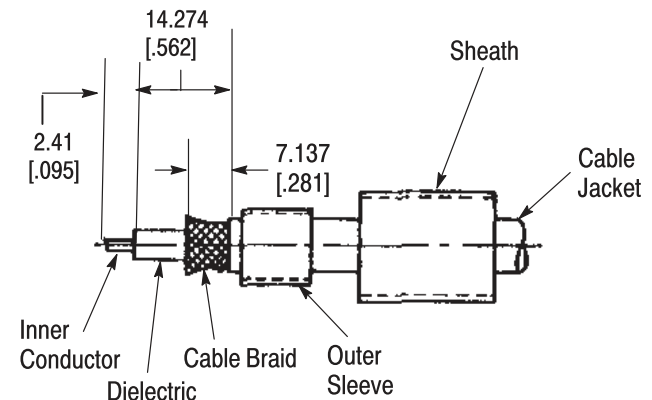


Figure 3

4. Tin the inner conductor.
5. Position and secure the inner sleeve in a bench vise.
6. Insert the cable into the inner sleeve and seat it firmly.
7. Slide the outer sleeve over the flared cable braid.
8. Hold the cable firmly and crimp the outer sleeve to the braid using 2.67 [.105] hex die cavity. See Figure 4.

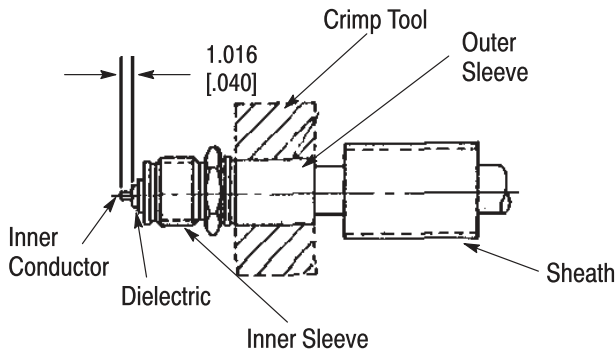


Figure 4

9. Trim the excess cable braid.
10. Place the center contact in the center contact holder (Figure 2) and heat the center contact.
11. Push the center contact over the inner conductor of the cable. See Figure 5.

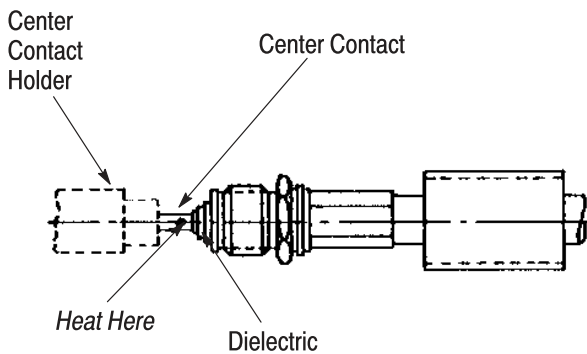


Figure 5



The large diameter of the contact should rest firmly against the dielectric.

12. Remove excess solder.

13. Assemble the dielectric over the center contact.
14. Engage the threads of the inner sleeve to the housing and torque to 25–30 in. lbs.
15. Position the outer sheath over the outer sleeve as shown in Figure 6.

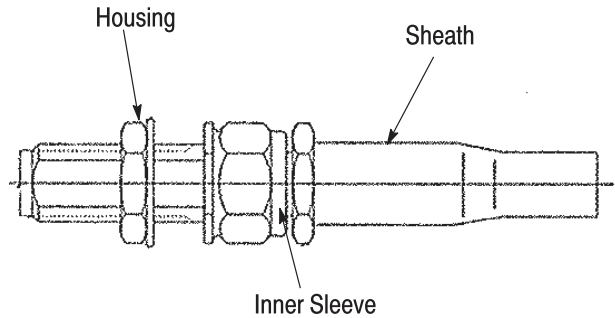


Figure 6

16. Shrink the sheath with a heat gun, using indirect heat.
17. Adherence to the preceding steps should yield the tolerances shown in Figure 7.

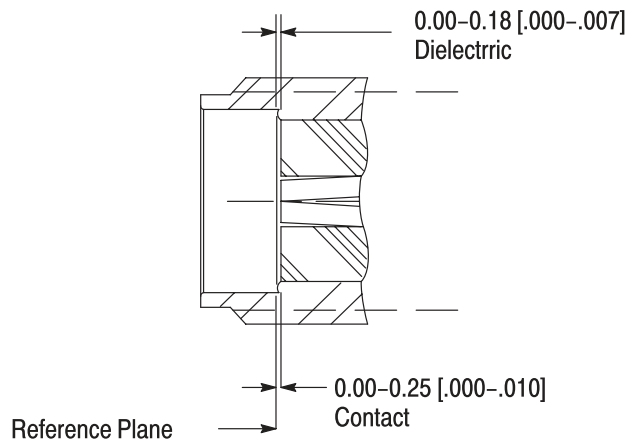


Figure 7

#### 4. REVISION SUMMARY

Since the previous release of this sheet:

- Document format was updated to current corporate requirements.