

MATERIAL NUMBER	# OF COLUMNS	# OF DIFF PAIR	DIM "A" MAX	DIM "B"	PTH $\phi$
170510-18**	8	24	15.20	13.30	0.46±0.05
170510-11**	10	30	19.00	17.10	
170510-18**	8	24	15.20	13.30	0.39±0.05
170510-11**	10	30	19.00	17.10	

**170510-1\*\*\***

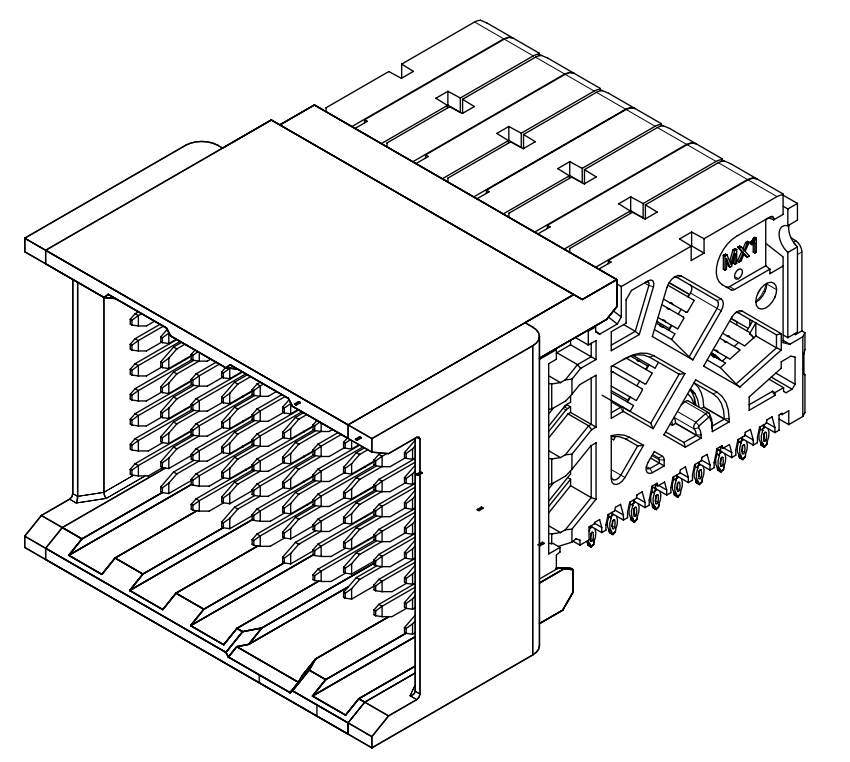
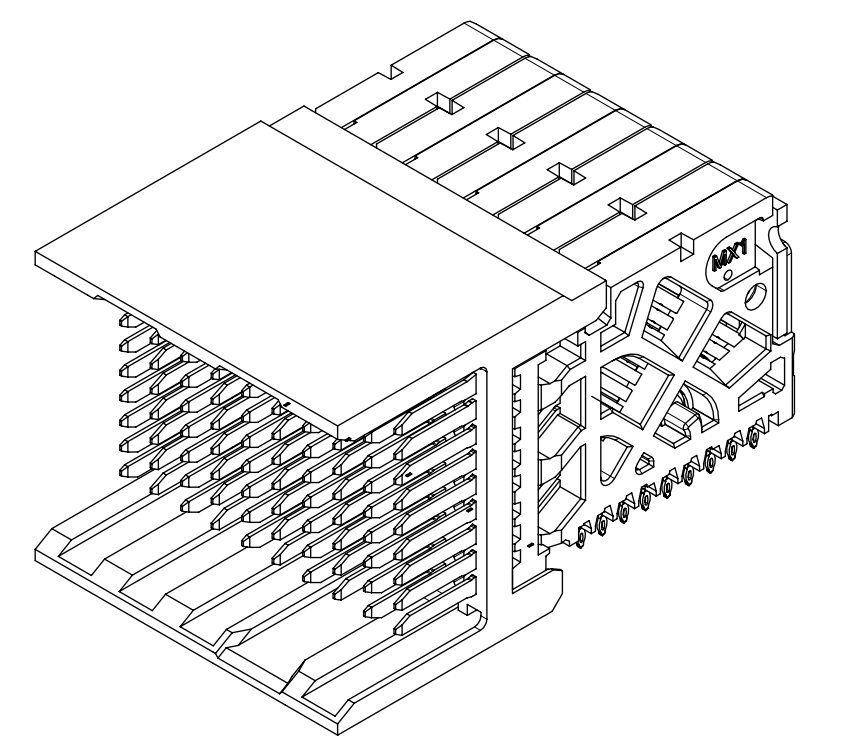
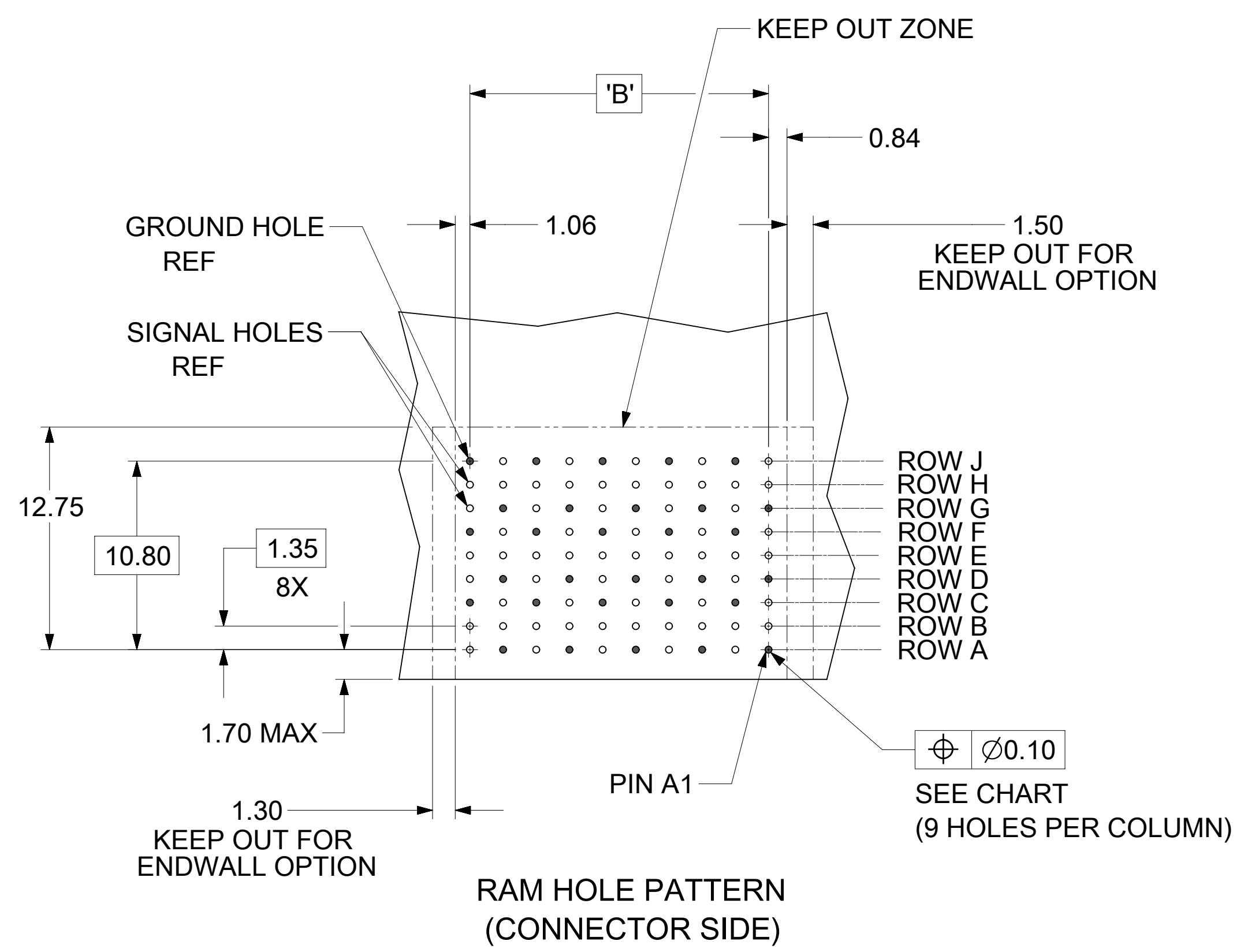
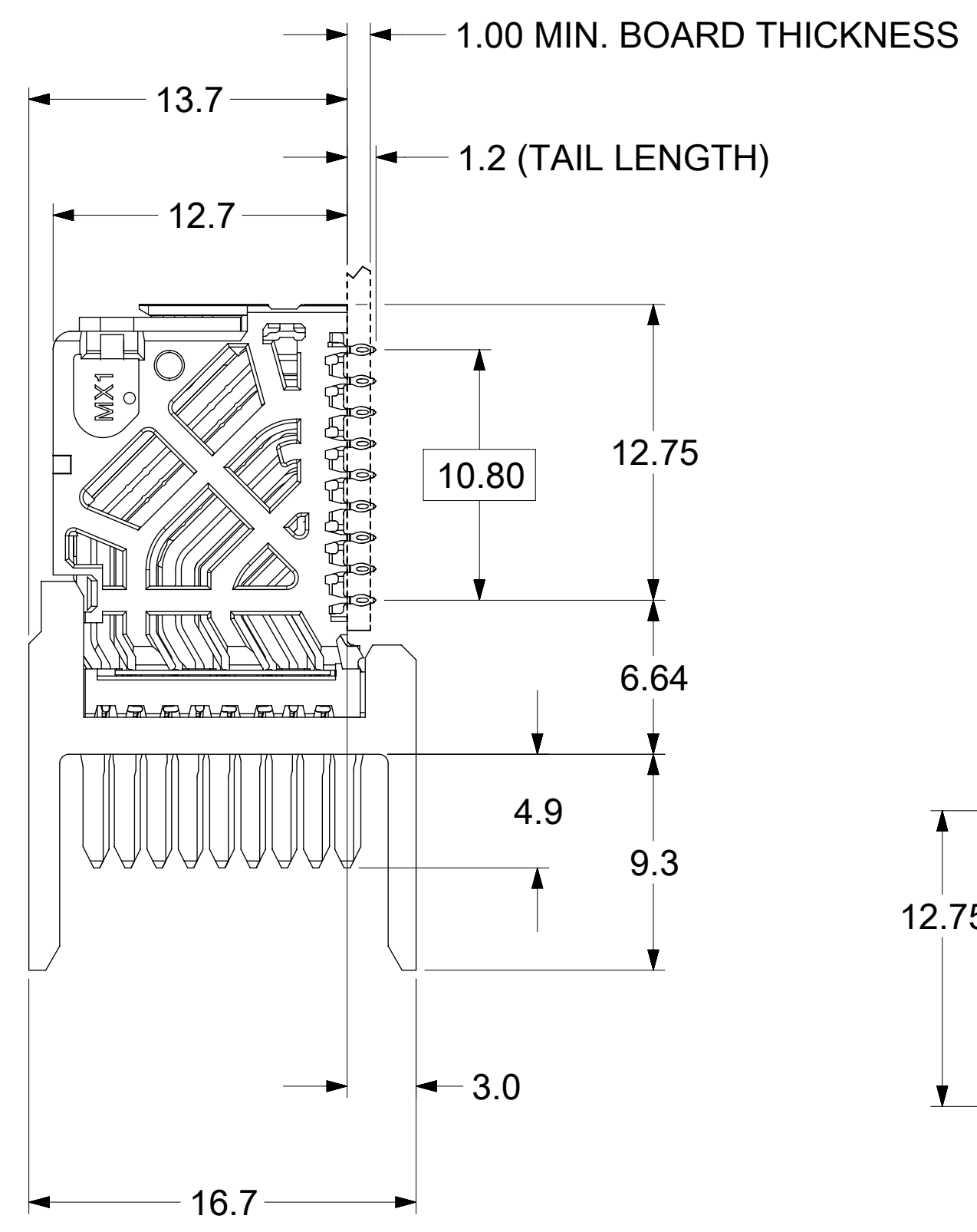
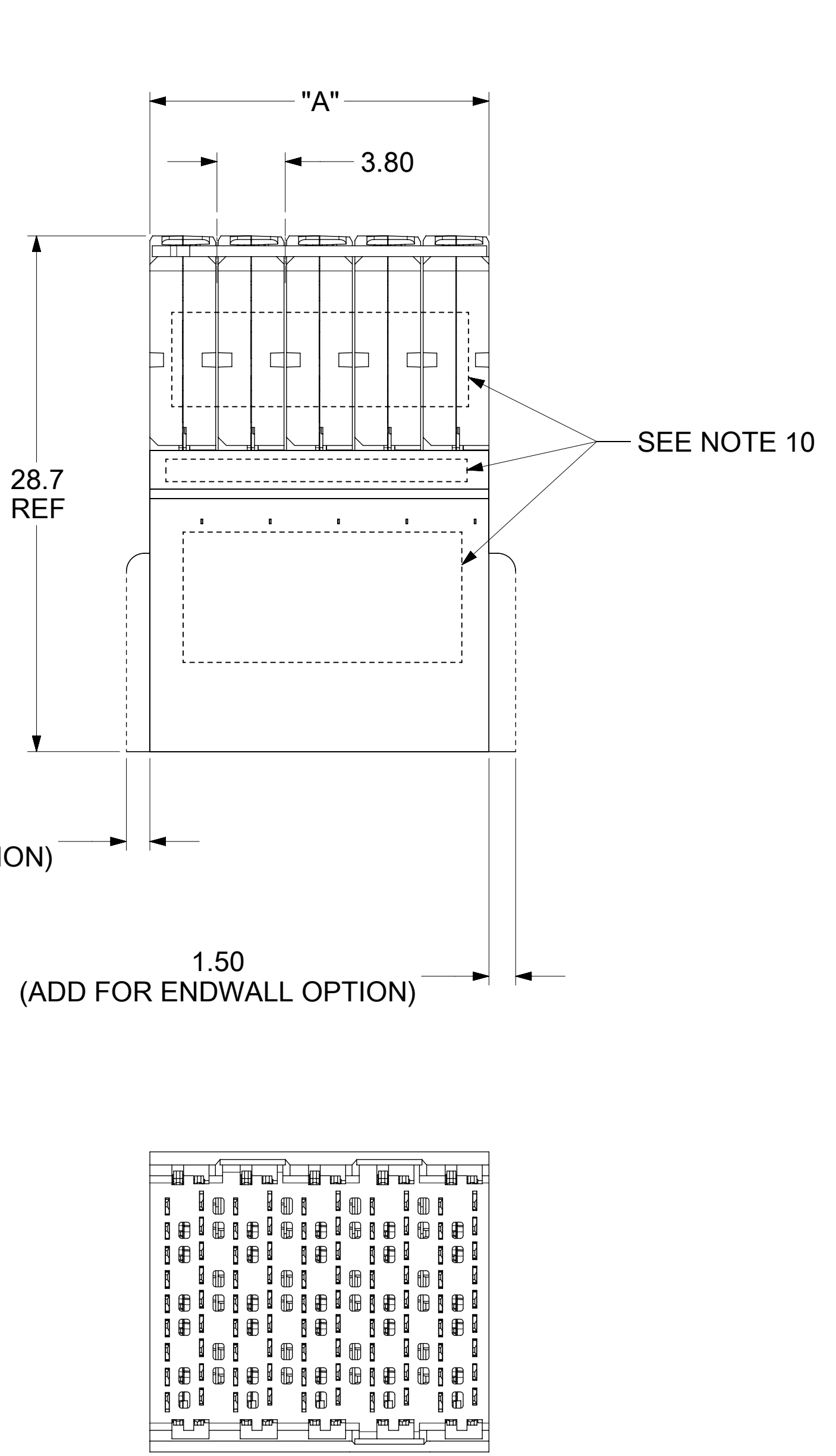
MODULE TYPE  
1 = UNGUIDED, LEAD-FREE

# OF COLUMNS  
1 = 10 COLUMNS  
8 = 8 COLUMNS

PIN LENGTH (P)  
4 = 4.90 (0.46 PTH)  
5 = 5.50 (0.46 PTH)  
7 = 4.90 (0.39 PTH)  
8 = 5.50 (0.39 PTH)

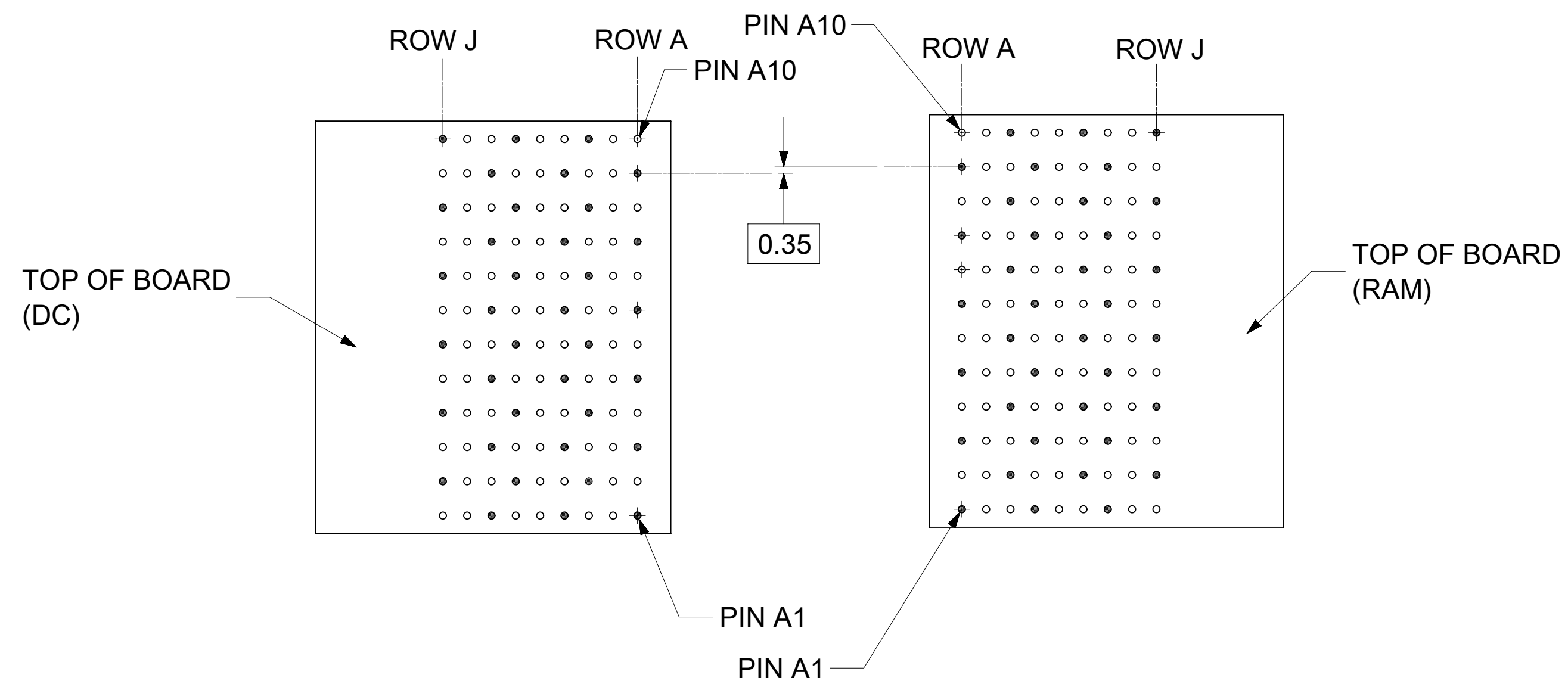
END WALL OPTIONS  
0 = OPEN ENDS  
1 = LEFT ENDWALL  
2 = DUAL ENDWALL  
3 = RIGHT ENDWALL

- NOTES:
- MATERIALS: HOUSING - LIQUID CRYSTAL POLYMER (LCP), GLASS-FILLED, UL94V-0  
TERMINALS - HIGH PERFORMANCE COPPER ALLOY
  - FINISH: 30μIN SELECTIVE GOLD IN CONTACT AREA, SELECTIVE TIN ON PCB TAILS, NICKEL OVERALL.
  - REFER TO MOLEX PRODUCT SPECIFICATION PS-170540-999 FOR PERFORMANCE SPECIFICATIONS AND ADDITIONAL PCB INFORMATION.
  - EACH SIGNAL WAFER CONTAINS 2 COLUMNS OF TERMINALS.
  - PRODUCT IS PACKAGED PER PK-70873-041.
  - THIS PART CONFORMS TO CLASS B REQUIREMENTS OF COSMETIC SPEC PS-45499-002.
  - REFER TO MOLEX SALES DRAWING SD-170530-0001 FOR THE MATING RECEPTACLES.
  - REFER TO MOLEX PCB ROUTING GUIDE AS-76060-990 FOR ANTIPAD AND ROUTING RECOMMENDATIONS.
  - GROUND PATHS ARE NOT DISCRETE CIRCUITS.
  - MARKING: LOCATED APPROXIMATELY AS SHOWN. PART NUMBER AND DATE CODE.

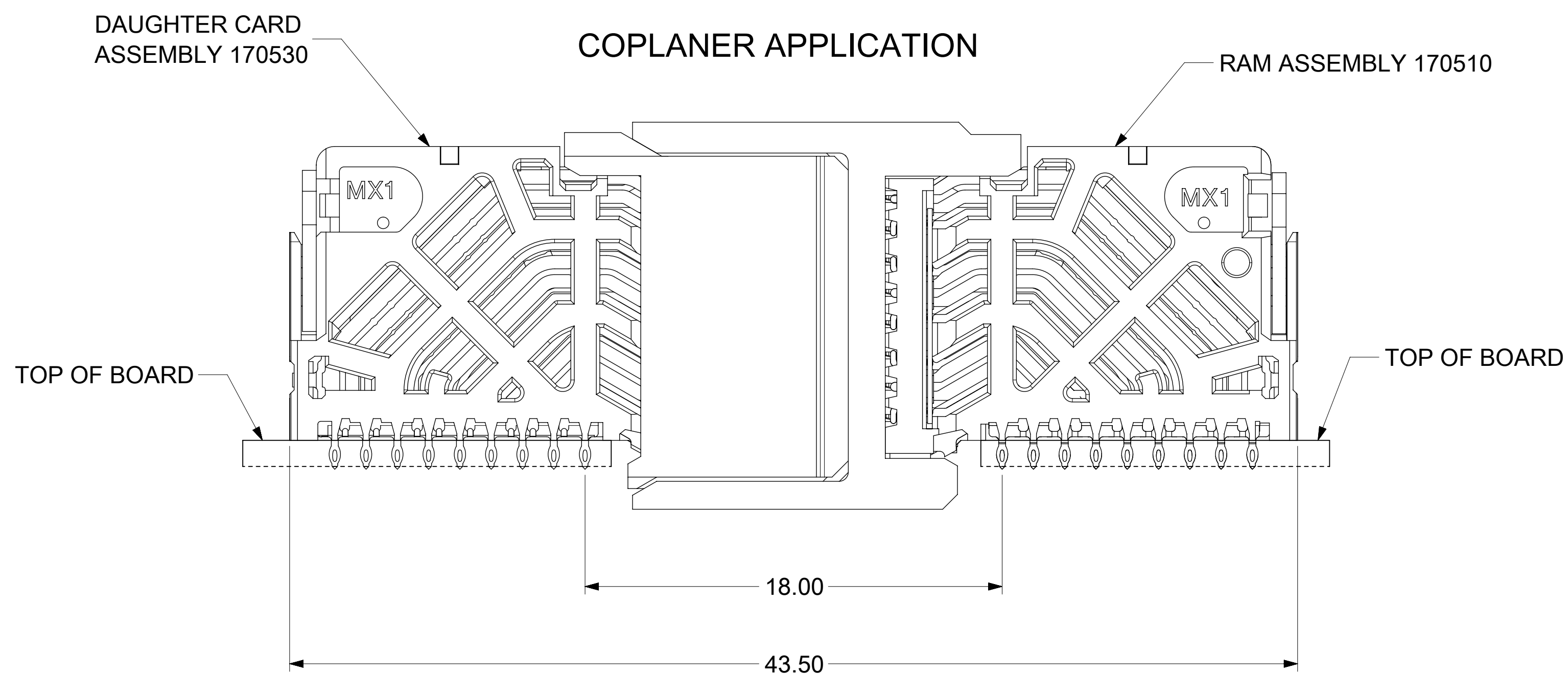
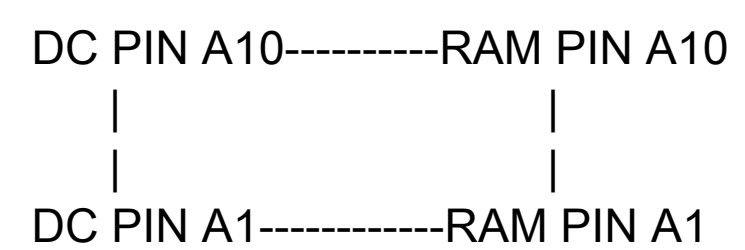


THIS DRAWING CONTAINS INFORMATION THAT IS PROPRIETARY TO MOLEX ELECTRONIC TECHNOLOGIES, LLC AND SHOULD NOT BE USED WITHOUT WRITTEN PERMISSION

DIMENSION UNITS <b>mm</b>	SCALE <b>NTS</b>	CURRENT REV DESC: REMASTERED TO NX AND UPDATED MATING RECEPTACLE DRAWING NUMBER IN NOTE 7.	<b>molex</b>		
GENERAL TOLERANCES (UNLESS SPECIFIED)		EC NO: 705090			
ANGULAR TOL	± 0.5°	DRWN: PMAHADEVAPPA 2019/05/14	PRODUCT CUSTOMER DRAWING		
4 PLACES	±	CHK'D: TMARRI 2019/12/13	DOCUMENT NUMBER	DOC TYPE	DOC PART
3 PLACES	±	APPR: LZENG 2022/05/13	<b>SD-170510-0002</b>	<b>PSD</b>	<b>001</b>
2 PLACES	± 0.13	INITIAL REVISION:	REVISION	<b>A4</b>	
1 PLACE	± 0.25	DRWN: MKRAUSE 2013/05/31	MATERIAL NUMBER	CUSTOMER	SHEET NUMBER
0 PLACES	±	APPR: MKRAUSE 2013/06/21	SEE CHART	GENERAL MARKET	1 OF 2
DRAFT WHERE APPLICABLE MUST REMAIN WITHIN DIMENSIONS		THIRD ANGLE PROJECTION	DRAWING	SERIES	
			<b>D-SIZE</b>	<b>170510</b>	



**COPLANAR MATED SIGNAL PATHS**



**COPLANER APPLICATION**

THIS DRAWING CONTAINS INFORMATION THAT IS PROPRIETARY TO MOLEX ELECTRONIC TECHNOLOGIES, LLC AND SHOULD NOT BE USED WITHOUT WRITTEN PERMISSION

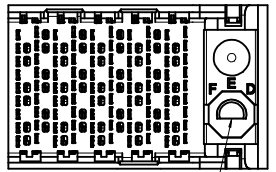
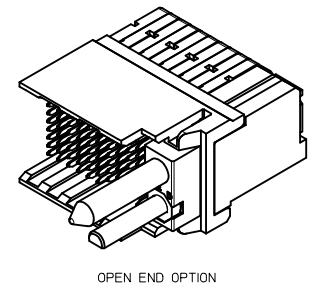
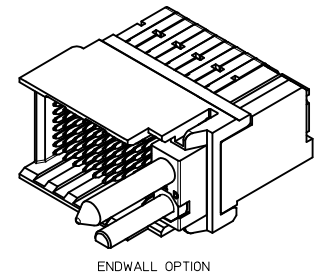
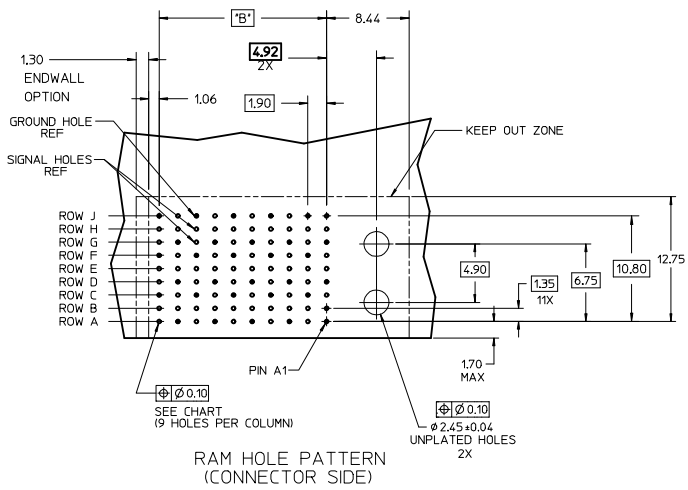
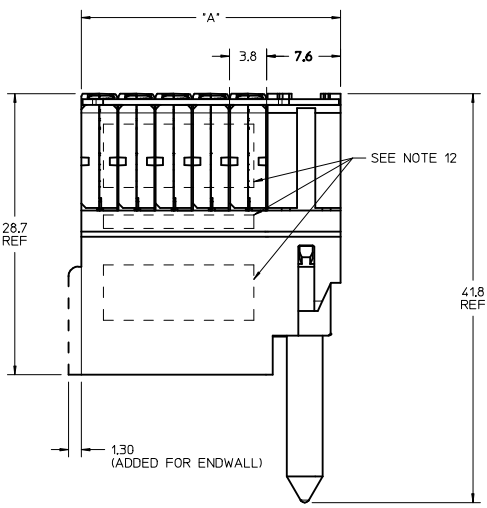
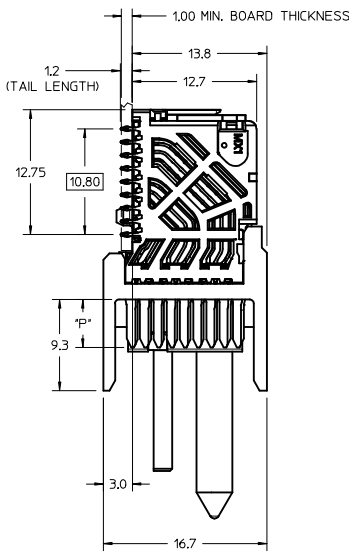
DIMENSION UNITS <b>mm</b>	SCALE <b>NTS</b>	CURRENT REV DESC: REMASTERED TO NX AND UPDATED MATING RECEPTACLE DRAWING NUMBER IN NOTE 7.			
GENERAL TOLERANCES (UNLESS SPECIFIED)		EC NO: 705090			
ANGULAR TOL	± 0.5°	DRWN: PMAHADEVAPPA 2019/05/14	PRODUCT CUSTOMER DRAWING		
4 PLACES	±	CHK'D: TMARRI 2019/12/13	DOCUMENT NUMBER	DOC TYPE	DOC PART
3 PLACES	±	APPR: LZENG 2022/05/13	<b>SD-170510-0002</b>	PSD	001
2 PLACES	± 0.13	INITIAL REVISION:	REVISION	<b>A4</b>	
1 PLACE	± 0.25	DRWN: MKRAUSE 2013/05/31	MATERIAL NUMBER	CUSTOMER	SHEET NUMBER
0 PLACES	±	APPR: MKRAUSE 2013/06/21	SEE CHART	GENERAL MARKET	2 OF 2
DRAFT WHERE APPLICABLE MUST REMAIN WITHIN DIMENSIONS		THIRD ANGLE PROJECTION	DRAWING	SERIES	
			<b>D-SIZE</b>	<b>170510</b>	

MATERIAL NUMBER	# OF COLUMNS	# OF DIFF PAIR	DIM 'A' MAX	DIM 'B'	PTH $\phi$
170510-8**	8	24	22.80	13.30	0.46±0.05
170510-8**					0.39±0.05
170510-11**	10	30	26.60	17.10	0.46±0.05
170510-11**					0.39±0.05

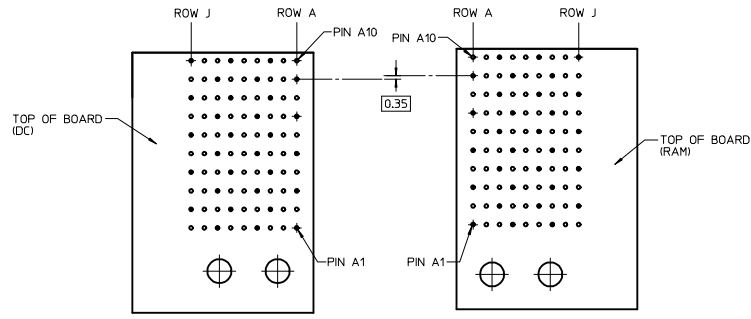
170510-\*\*\*\*

- MODULE TYPE  
 5 = RIGHT GUIDED, LEAD-FREE  
 9 = RIGHT GUIDED, LEAD-FREE W/ ENDWALL
- PIN LENGTH (P)  
 4 = 4.90 (0.46 PTH)  
 5 = 5.50 (0.46 PTH)  
 7 = 4.90 (0.39 PTH)  
 8 = 5.50 (0.39 PTH)
- # OF COLUMNS  
 1 = 10 COLUMNS  
 8 = 8 COLUMNS
- KEY ORIENTATION  
 0 = NO KEY  
 1 = A 5 = E  
 2 = B 6 = F  
 3 = C 7 = G  
 4 = D 8 = H

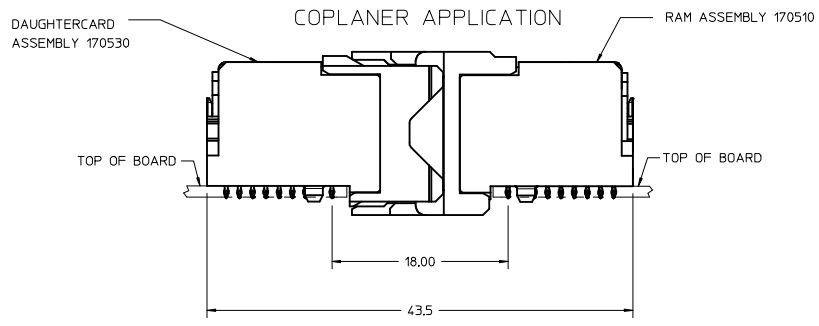
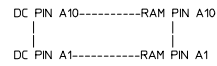
- NOTES:
- MATERIALS: HOUSING - LIQUID CRYSTAL POLYMER (LCP), GLASS-FILLED, UL94V-0  
 TERMINALS - HIGH PERFORMANCE COPPER ALLOY
  - FINISH: 30NM SELECTIVE GOLD IN CONTACT AREA, SELECTIVE TIN ON PCB TAILS, NICKEL OVERALL.
  - REFER TO MOLEX PRODUCT SPECIFICATION PS-170540-999 FOR PERFORMANCE SPECIFICATIONS AND ADDITIONAL PCB INFORMATION.
  - EACH SIGNAL WAFER CONTAINS 2 COLUMNS OF TERMINALS.
  - PRODUCT IS PACKAGED PER PK-70873-041.
  - THIS PART CONFORMS TO CLASS B REQUIREMENTS OF COSMETIC SPEC PS-45499-002.
  - REFER TO MOLEX SALES DRAWING SD-170340-002 FOR THE MATING RECEPTACLES.
  - REFER TO MOLEX PCB ROUTING GUIDE AS-76060-990 FOR ANTIPAD AND ROUTING RECOMMENDATIONS.
  - CONNECTORS SUPPLIED WITH A 2-32 SCREW 73726-0000 (9.5mm ±.38mm THREADABLE SCREW LENGTH). THE MAX BOARD THICKNESS IS 4.4mm.
  - GUIDE RIGHT RAM MATES WITH A GUIDE LEFT DAUGHTERCARD.
  - GROUND PATHS ARE NOT DISCRETE CIRCUITS.
  - MARKING: LOCATED APPROXIMATELY AS SHOWN. PART NUMBER AND DATE CODE.



REV D 12, 14, 16-COL OPTIONS DEC NO. UICP2017-2489 DRAWN: VARVARA 2017/05/17 CHKD: APPR: TELO 2017/05/12	QUALITY SYMBOLS	GENERAL TOLERANCES (UNLESS SPECIFIED)	DIMENSION STYLE	SCALE	DESIGN UNITS	THIRD ANGLE PROJECTION
	▽=0	4 PLACES ±--- ±---	MM ONLY	4:1	METRIC	☉
	▽=0	3 PLACES ±--- ±---				
	▽=0	2 PLACES ±0.13 ±---				
		1 PLACE ±0.25 ±---				
		0 PLACE ±--- ±---				
		ANGULAR ±1/2°	MATERIAL NO.	DATE	TITLE	
		DRAFT WHERE APPLICABLE MUST REMAIN WITHIN DIMENSIONS	SEE CHART	2013/05/31	IMPACT 3P 85 OHM RAM RIGHT GUIDED ASSEMBLY SALES DRAWING	
			SIZE D	2016/02/22	<b>molex</b>	
				2014/03/19	DOCUMENT NO. SD-170510-0004	SHEET NO. 1 OF 2



COPLANAR MATED SIGNAL PATHS



<b>PROPOSED</b> IEC NO. UCF2017-2489 DRAWN: VARARA CHKD: A2 APPR: TELO 2017/05/17 2017/05/22	QUALITY SYMBOLS	GENERAL TOLERANCES (UNLESS SPECIFIED)	DIMENSION STYLE	SCALE	DESIGN UNITS	THIRD ANGLE PROJECTION
	▽=0	mm INCH	MM ONLY	4:1	METRIC	
	▽=0	4 PLACES ± --- ± ---	DRAWN BY	DATE	TITLE	
	▽=0	3 PLACES ± --- ± ---	MKRAUSE	2013/05/31	IMPACT 3P 85 OHM RAM RIGHT GUIDED ASSEMBLY SALES DRAWING	
	2 PLACES ± 0.13 ± ---	TELO	2016/02/22	MATERIAL NO.		DOCUMENT NO.
	1 PLACE ± 0.25 ± ---	TELO	2014/03/19	SEE CHART		SD-170510-0004
	0 PLACE ± --- ± ---	ANGULAR ±1/2°	DRAFT WHERE APPLICABLE MUST REMAIN WITHIN DIMENSIONS		SHEET NO. 2 OF 2	
		THIS DRAWING CONTAINS INFORMATION THAT IS PROPRIETARY TO MOLEX INCORPORATED AND SHOULD NOT BE USED WITHOUT WRITTEN PERMISSION				