

PAGE 1/2

ISSUE 09-04-19

SERIE : SPnT

PART NUMBER : R574333310

## RF CHARACTERISTICS

Number of ways : **3**  
 Frequency range : **0 - 3 GHz**  
 Impedance : **50 Ohms**

| Frequency (GHz)    | DC - 3         |
|--------------------|----------------|
| VSWR max           | <b>1.20</b>    |
| Insertion loss max | <b>0.20 dB</b> |
| Isolation min      | <b>80 dB</b>   |
| Average power (*)  | <b>240 W</b>   |

TERMINATION IMPEDANCE : **50 Ohms**  
 TERM. AVG. POWER AT 25° C : **1 W per termination / 3 W total power**

## ELECTRICAL CHARACTERISTICS

Actuator : **LATCHING**  
 Nominal current \*\* : **125 mA / RESET : 375 mA \*\*\*\***  
 Actuator voltage (Vcc) : **28V (24 to 30V) / POSITIVE COMMON**  
 Terminals : **solder pins (250°C max. / 30 sec.)**  
 Indicator rating : **1 W / 30 V / 100 mA**

## MECHANICAL CHARACTERISTICS

Connectors : **SMA female per MIL-C 39012**  
 Life : **2 million cycles per position**  
 Switching Time\*\*\* : **< 15 ms**  
 Construction : **Splashproof**  
 Weight : **< 250 g**

## ENVIRONMENTAL CHARACTERISTICS

Operating temperature range : **-40°C to +85°C**  
 Storage temperature range : **-55°C to +85°C**

(\* Average power at 25°C per RF Path)

(\*\* At 25° C ±10%)

(\*\*\* Nominal voltage ; 25° C)

(\*\*\*\* Reset : supply voltage time 1sec. max. / duty cycle 10%)



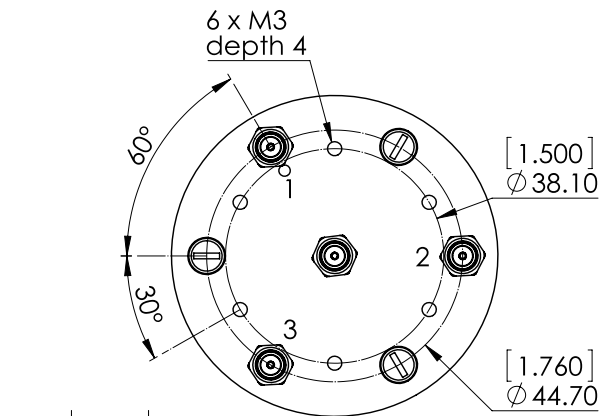
PAGE 2/2

ISSUE 09-04-19

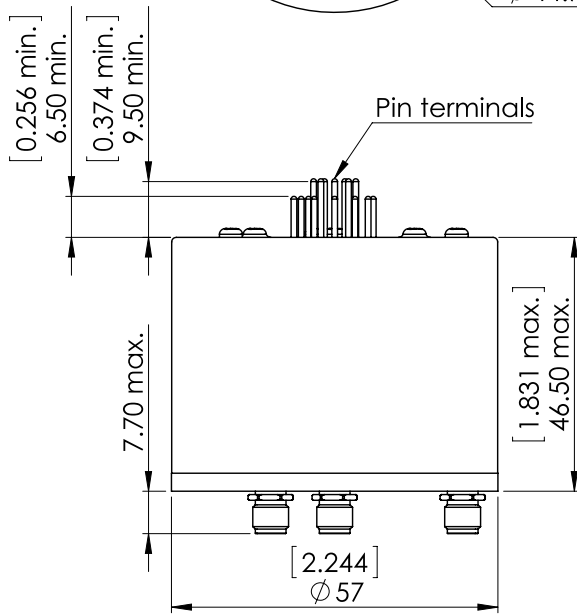
SERIE : SPnT

PART NUMBER : R574333310

DRAWING

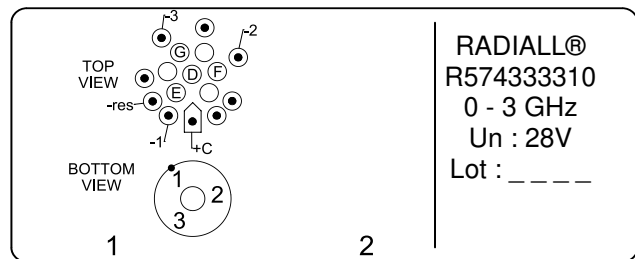


| Voltage   | RF Continuity  | Ind. |
|-----------|----------------|------|
| +C -RESET | All ports open | - -  |
| +C -1     | IN ↔ 1         | D.E  |
| +C -2     | IN ↔ 2         | D.F  |
| +C -3     | IN ↔ 3         | D.G  |



General tolerances : ±0,5 mm [0,02 in]

**LABEL**



SCHEMATIC DIAGRAM

