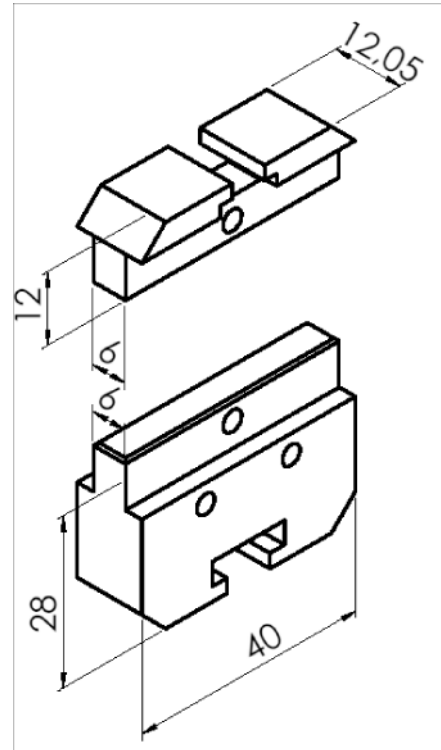
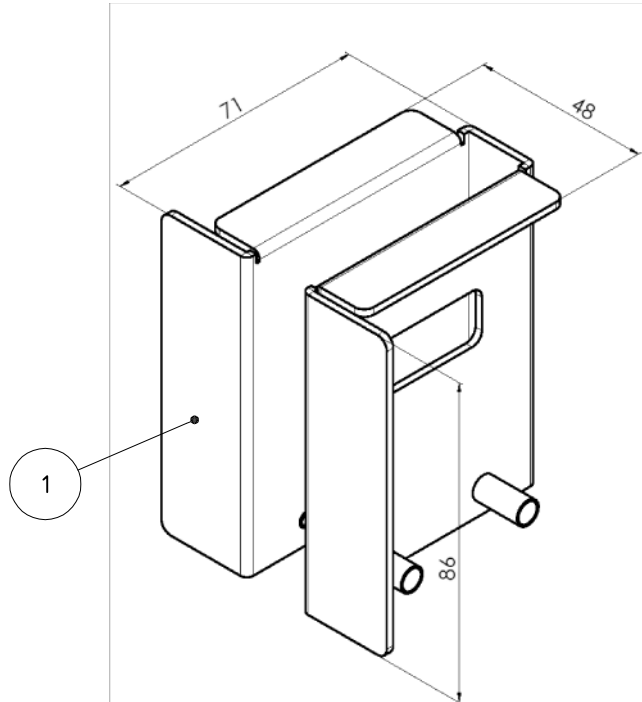


THIS DRAWING IS UNPUBLISHED. RELEASED FOR PUBLICATION
 © COPYRIGHT - BY TYCO ELECTRONICS CORPORATION. ALL INTERNATIONAL RIGHTS RESERVED.

LOC	DIST	REVISIONS					
		P	LTR	DESCRIPTION	DATE	DWN	APVD
-	-		A	INITIAL REVISION	19AUG10	LS	SA



ACHTUNG/ATTENTION

Nur in Kombination mit TE-P/N 528051-7 zu verwenden /
 ONLY TO BE USED IN COMBINATION WITH TE-P/N 528051-7

POS	QTY	REV	TE- P/N	DESCRIPTION
1	1	A	3-1481226-6	SAFETY GUARD, WDT - DIE HOLDER AT- 55

THIS DRAWING IS A CONTROLLED DOCUMENT.		DWN L. Sandhu 11MAY10	Tyco Electronics AMP GmbH 64625 Bensheim (Germany)	
DIMENSIONS: mm	TOLERANCES UNLESS OTHERWISE SPECIFIED:	CHK S. Samstag 19AUG10	NAME AT- 55 WDT DIE HOLDER, GAP AT- 55 WDT Matrizenhalter, GAP	
	0 PLC ± -	APVD S. Samstag 19AUG10	PRODUCT SPEC	
	1 PLC ± -		APPLICATION SPEC	
	2 PLC ± -		RESTRICTED TO	
	3 PLC ± -		SIZE A3	
	4 PLC ± -		CAGE CODE 00779	
	ANGLES ± -		DRAWING NO. C=1-528051-5	
MATERIAL	FINISH	WEIGHT	SCALE -	
		CUSTOMER DRAWING		SHEET 1 of 1
				REV A