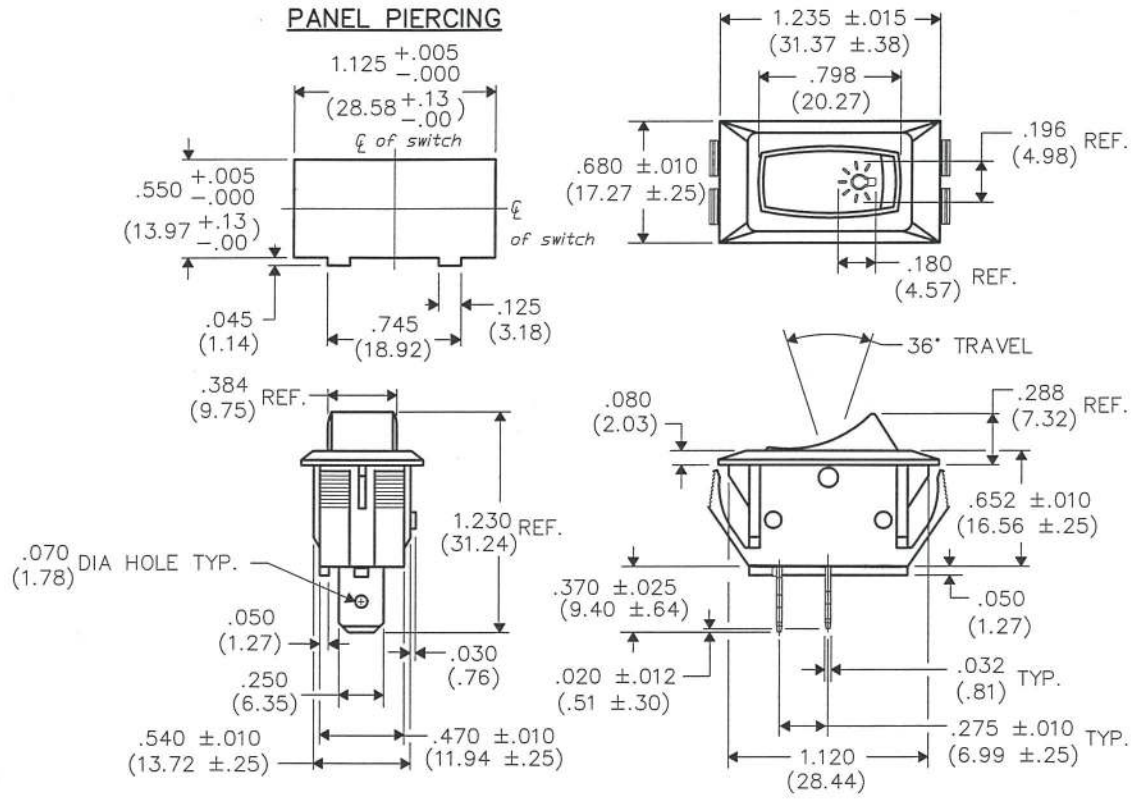


F
D
C
B
A



U.L. LISTED
8A. 125VAC
4A. 250VAC

FORM-B4	0	1							
	REVISIONS RELEASED: DGW 12-16-2008 DEC. 17, 2008	REDRAWN. REMOVED RAD. ON BOTTOM OF CLAW AND FROM TITLE BLOCK. DGW 5-31-2012 GG JUN 04 2012							

PDF FILE MADE

cw INDUSTRIES Southampton, Pa. 18966	Title: ROCKER ASSEMBLY S.P.S.T., POLARIZED 1.125" x .550" PANEL
TOLERANCES UNLESS OTHERWISE SPECIFIED 2 Place Decimal ±.010 METRIC 3 Place Decimal ±.005 1 Place Dec. ±.25mm Angles ±1' 2 Place Dec. ±.13mm	Division: SWITCH
Made for: CW IND.	Dwg. No. GRSH-2011-2008
Drawn by: DGW 12-16-2008	
Checked by: G. Guld 6-1-12	
Approval: G. Guld 6-1-12	

MASTER