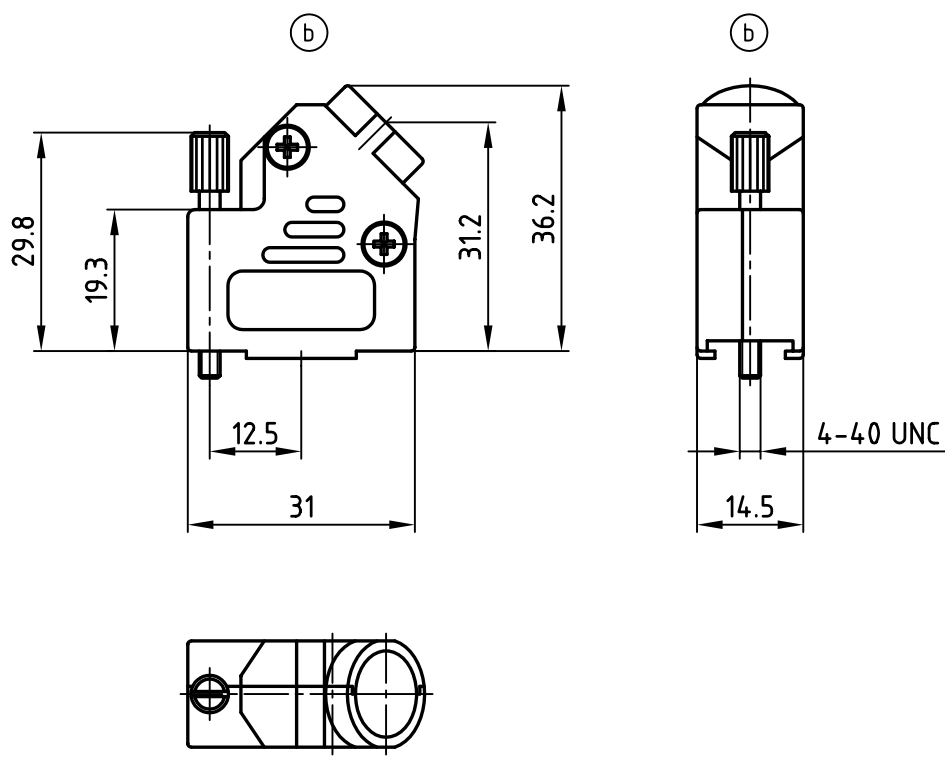
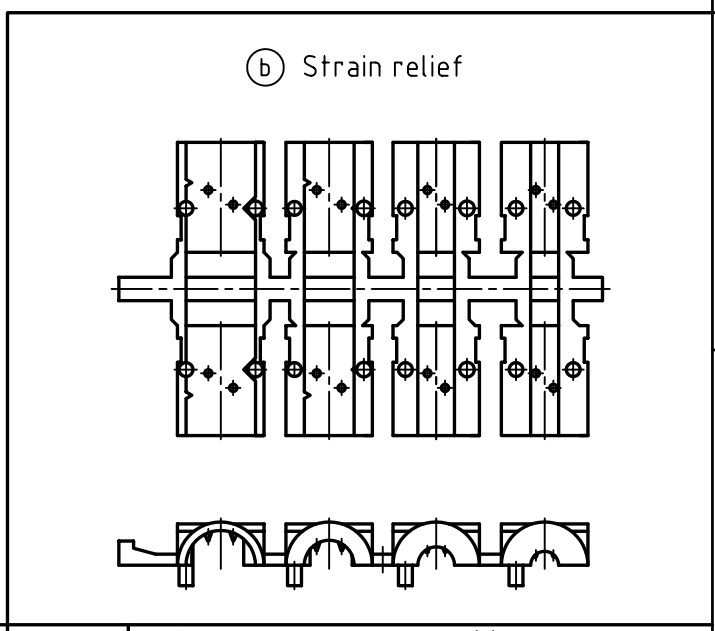


used for: D-SUB



(c)	
Part No. Bulk package	Part No. Single package
165X02689X	165X02689XE

Directive 2002/95/EC
„RoHS“
Compliant



THIS DRAWING MAY NOT BE COPIED OR REPRODUCED IN ANY WAY, AND MAY NOT BE PASSED ON TO A THIRD PARTY WITHOUT WRITTEN PERMISSION.
OWNERSHIP AND COPYRIGHT OF CONEC GmbH
DO NOT ALTER CAD DRAWING BY HAND

		tolerance			
2000	date				
drawn	02.10.	name			
appd.	02.10.	Parei			
norm		Resonnek			
2 x c	Ä 2754	23.07.2007	Lehmen	d-old	
3 x b	Ä 2480	06.04.2006	Lehmen		
a	Origin				
rev.	description	date	name		

scale:	1:1	
material:		
title:	D-SUB METALHOOD DVZK Serie 9pos.	
dwg no:	AutoCAD 2006	DIN-A
	16K1A058A	4
product no:	(c) SEE TABLE	
		sh: 1/1