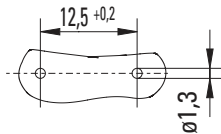


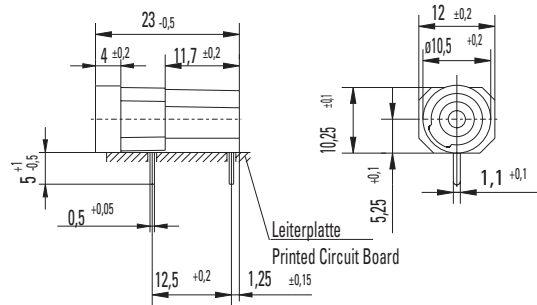
## Holder / No. 596

Not for new designs;  
please refer to holder no. 830

## PC Mount, for 5x20mm Fuses



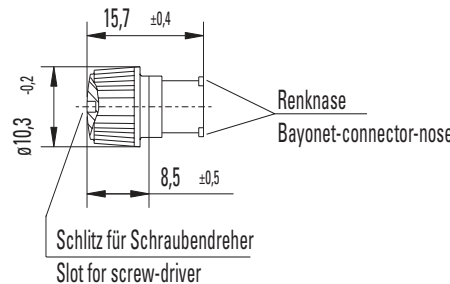
Holes in the Printed Circuit Board



## Cap / No. 583



Flush Mount Type



## Specifications

### Montage

(2) Solder pins 0.5 x 1.1mm

### Protection Class & Category

IP 40 (IEC 60529)

### Materials

Holder: Duroplastic (Phenoplast PF), black  
 Cap: Thermoplastic (Polyamide PA 6.6), UL 94 V-0, black  
 Metal Parts: Copper alloy, corrosion protected solderable tinned  
 Terminals:

### Electrical Data (23 °C)

Rated Voltage: 250 V  
 max. Current/Power: 6.3 A / 2.0 W

### Operating Temperature

-25 °C to 70 °C (consider de-rating)

### Stock Conditions

10 °C to 60 °C

### Contact Resistance

≤ 5 mΩ

### Dielectric Strength

3 kV, 50Hz, 1 min., dry

### Insulation Resistance

> 10 MΩ (500 V DC, 1 min.)

### Solderability

235 °C, 3 sec. (Wave)  
 350 °C, 1 sec. (Soldering Iron)

### Soldering Heat Resistance

260 °C, 5 sec.

### Minimum Cross Section

Conduction Path - 0.2mm<sup>2</sup>

### Marking

596, 250 V

### Unit weight

2,2 g (596) / 1,7 g (583)

## Order Information

### Packaging

Bulk (100 St.)

### Order Numbers

Holder No. 596 0000 000  
 Cap No. 583 0000 000



Note: 1.00 means the number one with two decimal places. 1,000 means the number one thousand.