

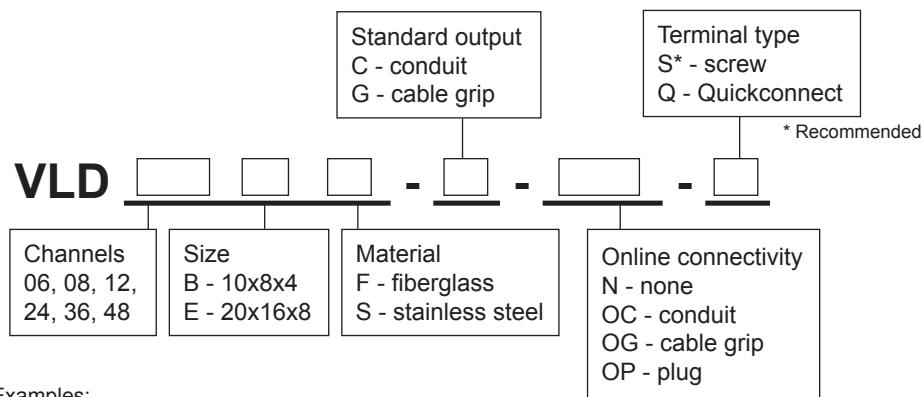
Dual output switchable junction boxes

VLD series

VLD enclosures are configurable, allowing users to choose exactly what's needed for any application. VLD models feature an industry-first data ready light indicating that sensor BOV levels have stabilized, minimizing data collection time and helping ensure reliable data. For online monitoring, optional terminal strip connectors are available.



Ordering guide



Examples:

VLD06BF-C-OG-S: 6 channel switchbox, fiberglass 10x8x4 enclosure with screw terminals and conduit outputs, online connectivity with cable grip output

VLD24ES-G-OP-Q: 24 channel switchbox, stainless steel 20x16x8 enclosure with Quickconnect terminals and cable grip outputs, online connectivity with plugged hole output

Key features

- Data ready light for efficient data collection
- Customizable - tailored to your application
- Up to 48 channels and up to 4 boards
- Base or expandable size
- For use with dual output sensors
- NEMA 4/4X ratings
- Manufactured in an approved ISO 9001 facility

Certifications



Note: Due to continuous process improvement, specifications are subject to change without notice. This document is cleared for public release.

Dual output switchable junction boxes

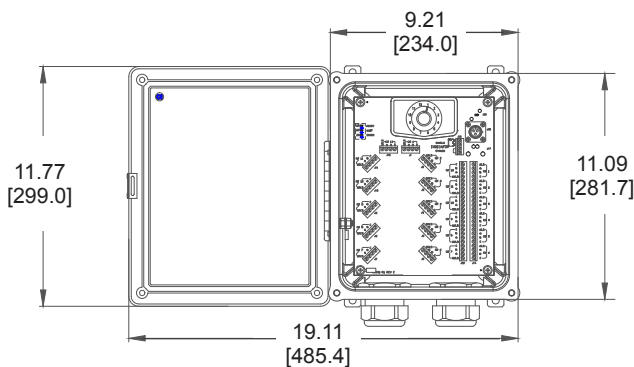
VLD series

SPECIFICATIONS

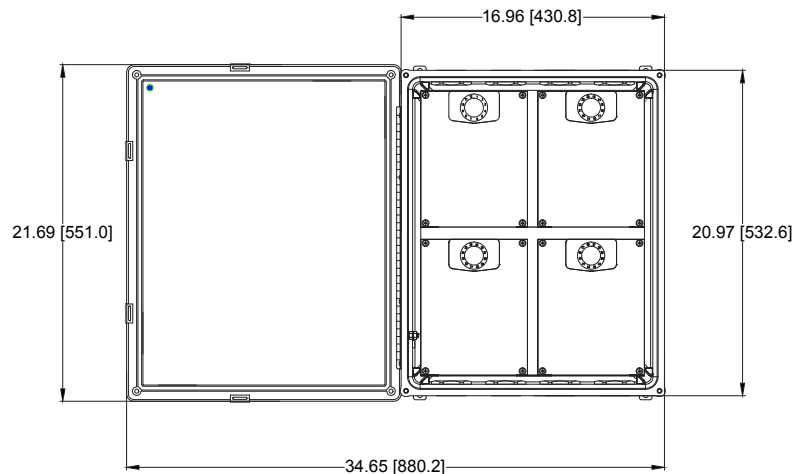
| | |
|---|--|
| Channels, user-selected | 6, 8, 12, 24, 36, 48 |
| Output connector | 3 pin, MIL-C-5015 style |
| Material, user-selected | fiberglass or stainless steel |
| Dimensions | 10 x 8 x 4 in. (6-12 channels, non-expandable) 20 x 16 x 8 in. (12-48 channels, expandable) |
| Hinge | stainless steel continuous weld |
| Latch | stainless steel butterfly knob |
| Input/output fittings, user-selected | cable grips or conduit |
| Terminal block connectors | 4 positions per channel |
| Online connectors (optional) | multi-pin, removable |
| Rating: | fiberglass NEMA 4X/IP66 stainless steel NEMA 4/IP66 |
| Mounting | 4 stainless steel feet (fiberglass models include configurable feet) |
| Sensor support | dual output (acceleration and temperature) |
| Data setting time, variable, indicated by data ready LED | green: stable BOV yellow: BOV stabilizing red: error detected |
| Channel selector | 12 position dial switch, differential switching |

Accessories supplied: Transducer location log; mounting feet; grounding lug; cable grip plugs (if applicable)

Standard model (6-12 channels)



Expandable model (12-48 channels)



Note: Due to continuous process improvement, specifications are subject to change without notice. This document is cleared for public release.