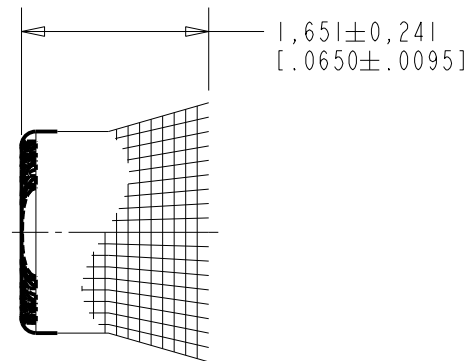
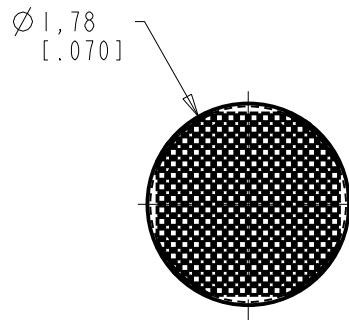


BF-3038-000
SHT 1.1

ⓓ NOTE:

1. ACOUSTIC RESISTANCE IS MEASURED WITH ELEMENT INSERTED IN HOLE 1,80 [.071] DIA X 2,54 [.100] LONG.
2. ACOUSTICAL RESISTANCE TO BE $1500 \pm 20\% \Omega$ COLOR GREEN.
3. ACOUSTIC DAMPING ELEMENTS ARE PACKED 100 PIECES PER BOX.



DIMENSIONS IN MILLIMETERS [INCHES]

KNOWLES ELECTRONICS
ITASCA, ILLINOIS U.S.A.

Revision	C.O. #	Implementation Date	RELEASE LEVEL	REVISION
D	MI0105938	3-18-15	Active	D
C	MI0100342	4-6-05		
SCALE: 15:1			DR. BY	DATE
DO NOT SCALE DRAWING			GJP	3-9-84
			CK. BY	DATE
TITLE: BF DAMPER			---	---
OUTLINE DRAWING			APP. BY	DATE
BF-3038-000			KHW	3-10-87
SHT 1.1				