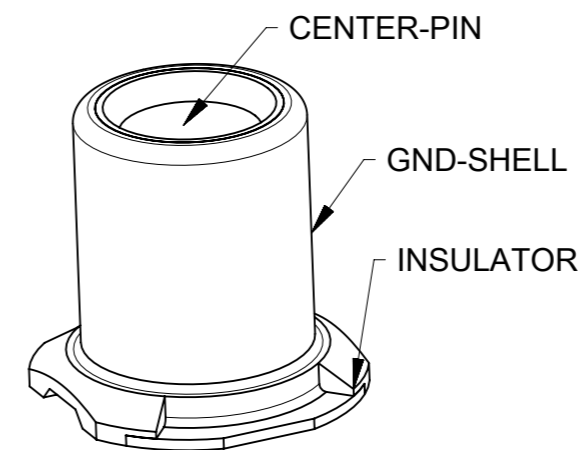
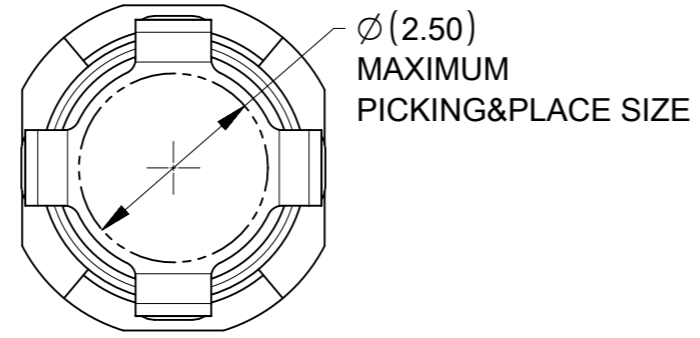
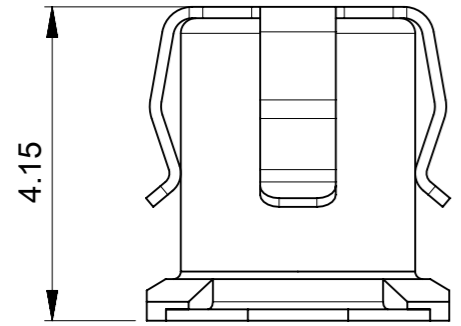
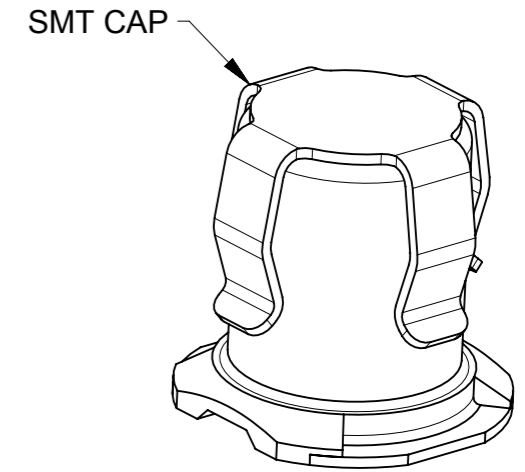


RECOMMENDED P.C BOARD PATTERN LAYOUT (REFERENCE)  
 GENERAL TOLERANCE FOR PCB: +/-0.05  
 RECOMMENDED STENCIL: 0.1MM



JACK WITHOUT CAP



JACK WITH CAP

NOTES:

1. MATERIAL:  
 CENTER-PIN: COPPER ALLOY  
 INSULATOR: HIGH TEMPERATURE THERMAL PLASTIC, UL94V-0, BLACK  
 GND-SHELL: COPPER ALLOY  
 SMT CAP: STAINLESS STEEL
2. PLATING:  
 CENTER-PIN: NICKEL UNDERPLATED, GOLD AT CONTACT AND SOLDER AREA.  
 GND-SHELL: NICKEL UNDERPLATED, GOLD AT CONTACT AND SOLDER AREA.
3. MATE WITH: 215520000\*
4. PRODUCT SPECIFICATION: 2155200000PS000
5. PACKAGING SPECIFICATION: 2155210000PDD000

FUNCTIONAL SYMBOLS	THIS DRAWING CONTAINS INFORMATION THAT IS PROPRIETARY TO MOLEX ELECTRONIC TECHNOLOGIES, LLC AND SHOULD NOT BE USED WITHOUT WRITTEN PERMISSION		
	DIMENSION UNITS	SCALE	CURRENT REV DESC:
▽A = 0	mm	10:1	EC NO: 642399 DRWN: FCHEN11 CHK'D: AYIN APPR: AYIN INITIAL REVISION: DRWN: FCHEN11 APPR: AYIN
▽E = 0	GENERAL TOLERANCES (UNLESS SPECIFIED)		
▽F = 0	ANGULAR TOL ± 2.0°		
DIVISIONAL SYMBOLS	4 PLACES	±	
	3 PLACES	±	
	2 PLACES	± 0.2	
	1 PLACE	± 0.3	
	0 PLACES	±	
DRAFT WHERE APPLICABLE MUST REMAIN WITHIN DIMENSIONS		THIRD ANGLE PROJECTION	DRAWING
			A3-SIZE
		SERIES	215521
		MATERIAL NUMBER	2155210000
		CUSTOMER	
		DOCUMENT NUMBER	2155210000
		DOC TYPE	PSD
		DOC PART	000
		REVISION	A
		SHEET NUMBER	1 OF 1