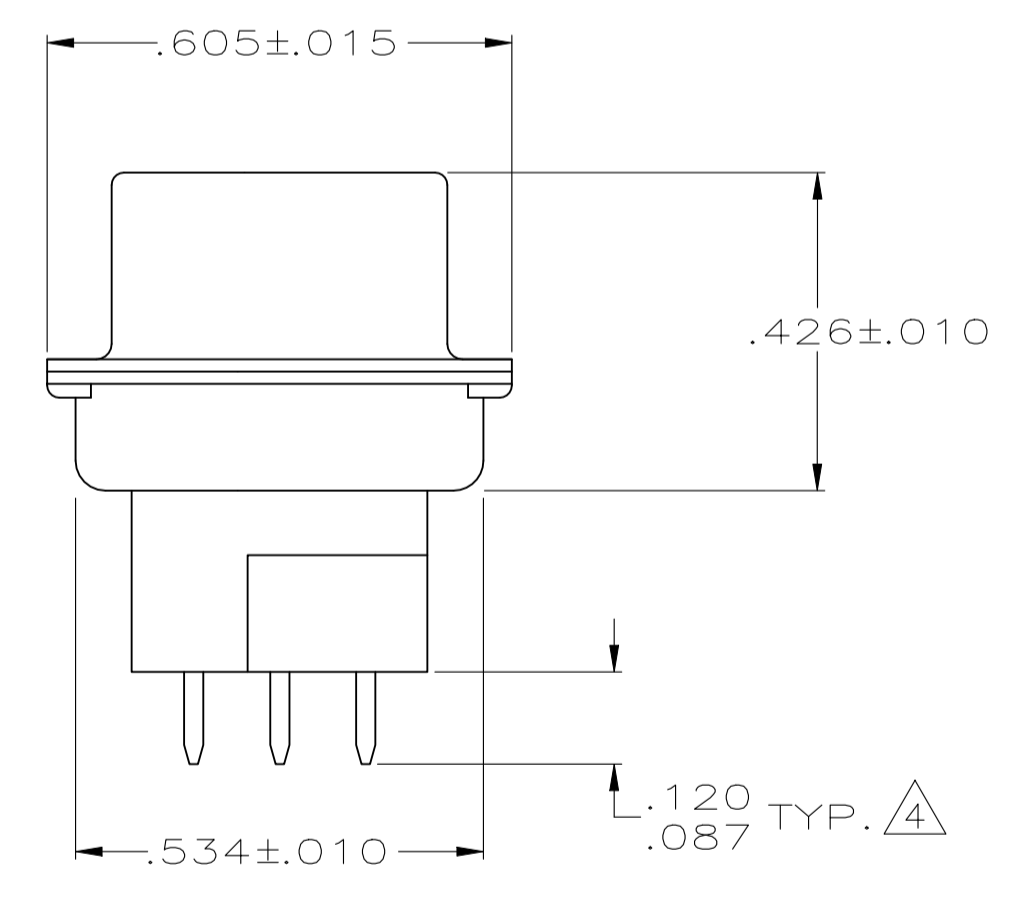
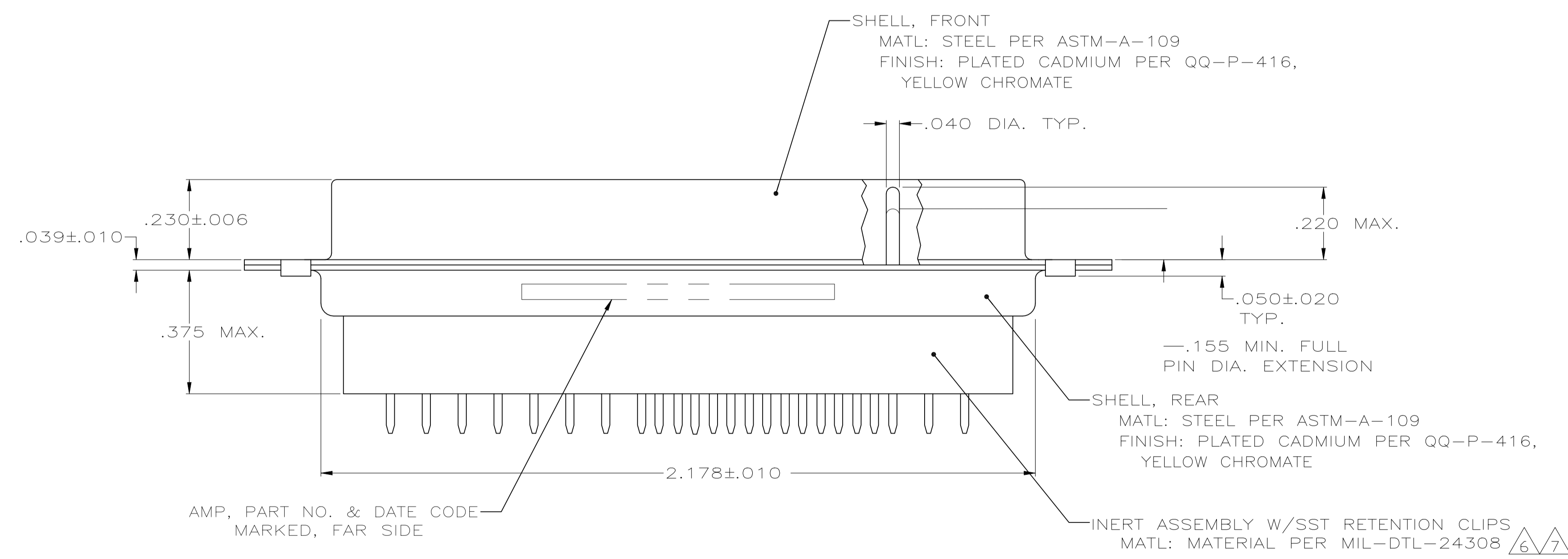
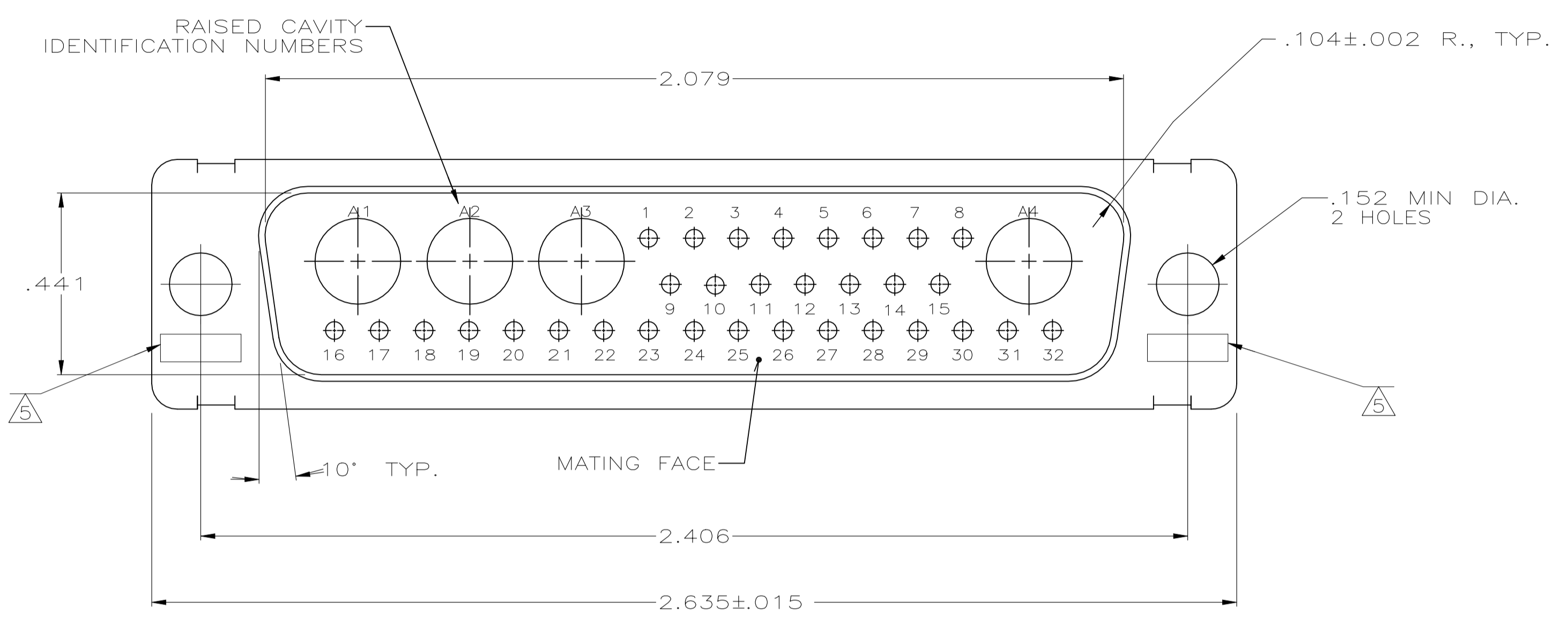


REVISIONS				
P	LTR	DESCRIPTION	DATE	BY
H		REV PER ECO-21-000831	23DEC2021	JAB RL

- THIS PLUG WILL MATE WITH ANY 36C4, SIZE 5 RECEPTACLE IN AMPLIMITE SERIES.
- MAXIMUM WIRE INSULATION TO BE USED WITH THIS PLUG IS .068 DIA FOR SIZE 20 CONTACTS.
- THIS CONNECTOR ACCEPTS SIZE 8 POWER OR COAX PIN CONTACTS (4); CONSULT PRODUCT ENGINEERING FOR ADDITIONAL DETAILS.
- WHEN FULLY SEATED REARWARD.
- UL/CSA DESIGNATION STAMPED IN THIS AREA.
- FINISH: CADMIUM PLATE PER QQ-P-416.
- FINISH: ZINC PLATED PER ASTM-B-633 .000200-.000400 THK WITH SUPPLEMENTARY CHROMATE (Cr3+).



7	5-445030-1
6	445303-1
REMARKS	PART NO

JURISDICTION	EAR
CLASSIFICATION	EAR99
DATE OF MARKING	23DEC2021
THIS DOCUMENT CONTAINS CONTROLLED TECHNICAL DATA SUBJECT TO THE EXPORT ADMINISTRATION REGULATIONS (EAR). VIOLATIONS OF THESE EXPORT LAWS AND REGULATIONS ARE SUBJECT TO CIVIL AND CRIMINAL PENALTIES.	

THIS DRAWING IS A CONTROLLED DOCUMENT.

DIMENSIONS: INCHES	TOLERANCES UNLESS OTHERWISE SPECIFIED:	DIN MANJUNATH G M 27-May-15	CHK CHARLES THOMAS 27-May-15	APVD CHARLES THOMAS 27-May-15	NAME
0 PLC ± -	1 PLC ± -	2 PLC ± -	3 PLC ± .005	4 PLC ± -	ANGLES ± -
MATERIAL SEE CALLOUTS	FINISH SEE CALLOUTS	WEIGHT 0.000000	A1 00779	C=445030	RESTRICTED TO
CUSTOMER DRAWING			SCALE 4:1	SHEET 1 of 1	REV H

PLUG ASSEMBLY, AMPLIMITE, 36C4, SIZE 5, SERIES 109, COAX MIX, LOADED